

H G F E D C B A

4

3

2

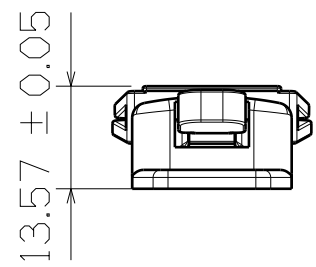
1

4

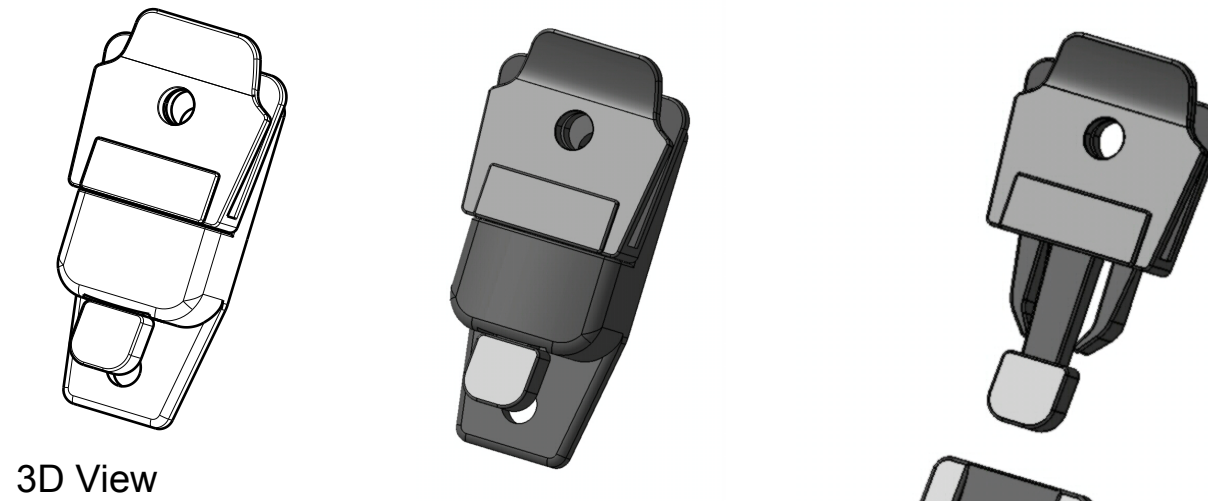
3

2

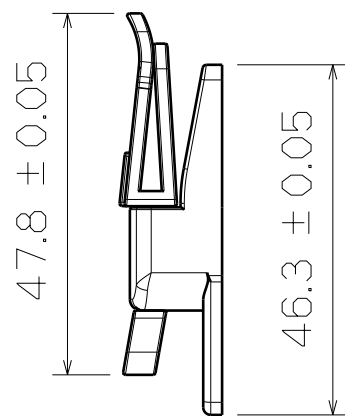
1



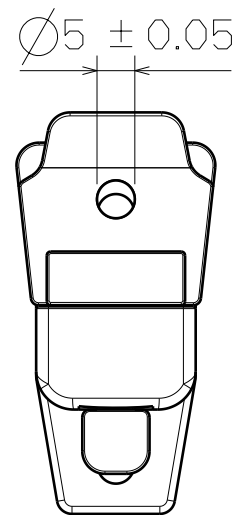
Top View



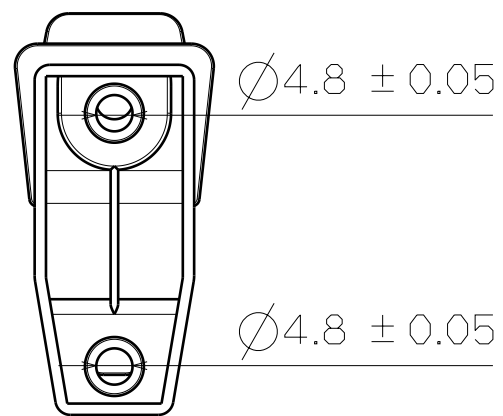
3D View



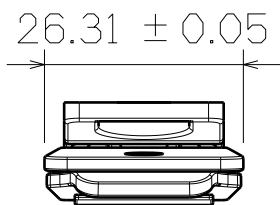
Right View



SF215-25MM



Back View



Bottom View

This drawing is our property.
It can't be reproduced
or communicated without
our written agreement.



**SHIN FANG PLASTIC
INDUSTRIAL CO., LTD.**

DRAWN BY		DATE		DRAWING TITLE					
BRIAN CHEN		1995/3/20		CENTER RELEASE BUCKLE					
CHECKED BY		DATE		SIZE	DRAWING NUMBER		REV		
JIMMY CHEN		1995/3/22		A3	SF215-25MM		X		
DESIGNED BY		DATE		SCALE	1:1	MATERIAL	POM	SHEET	1/1
RD		1995/3							

H G F E D C B A