

H G F E D C B A

4

4

3

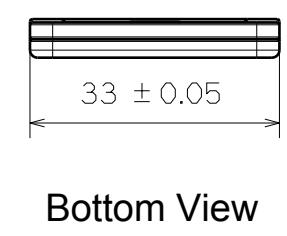
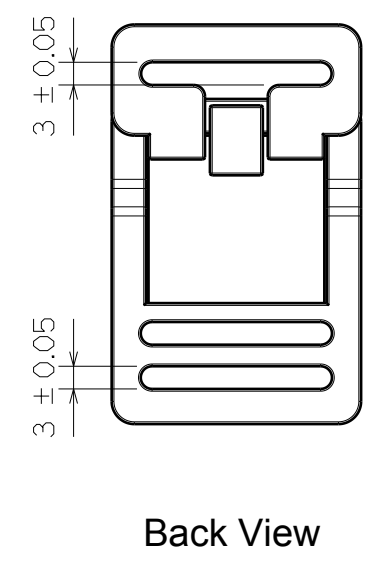
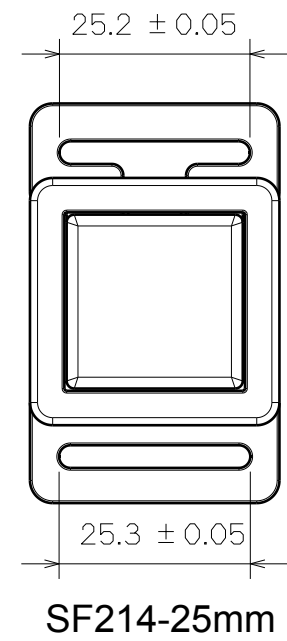
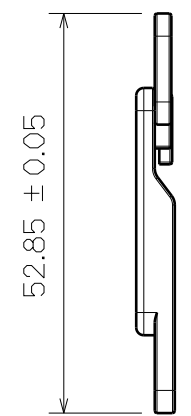
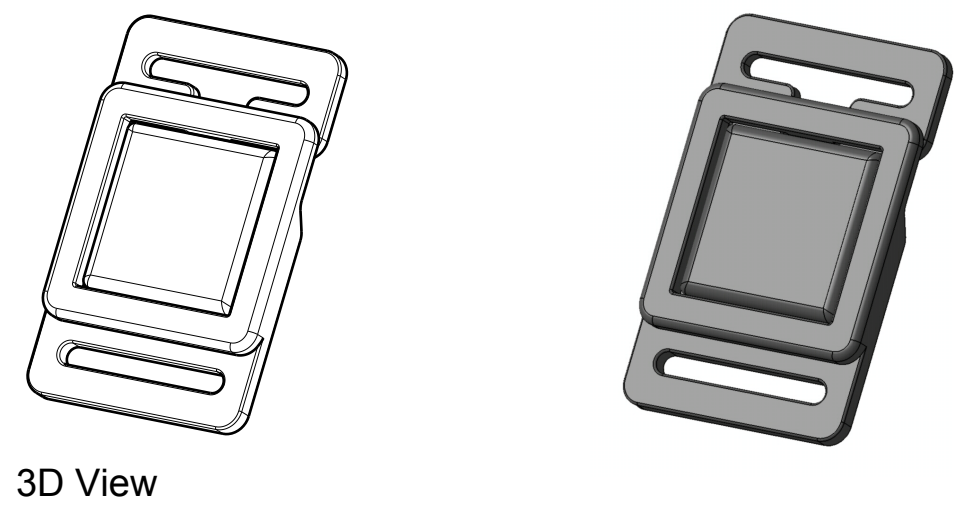
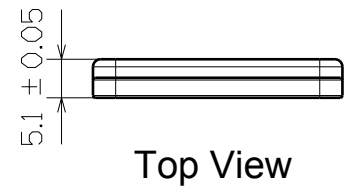
3

2

2

1

1



This drawing is our property. It can't be reproduced or communicated without our written agreement.					
DRAWN BY		DATE		DRAWING TITLE	
BRIAN CHEN		1995/7/22		Center Release Buckle	
CHECKED BY		DATE		SIZE	DRAWING NUMBER
JIMMY CHEN		1995/7/23		A3	SF214-25mm
DESIGNED BY		DATE		SCALE	MATERIAL
RD		1995/7		1:1	POM
				SHEET	1/1

H G F E D C B A