

D

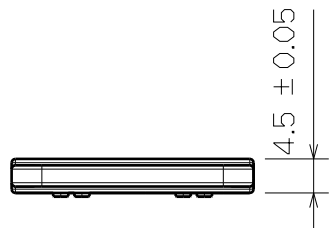
C

B

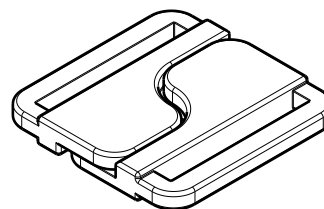
A

4

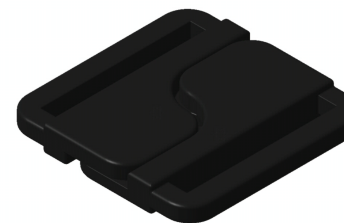
4



Top View

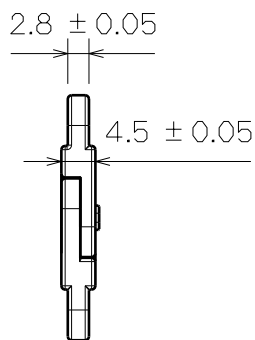


3D View

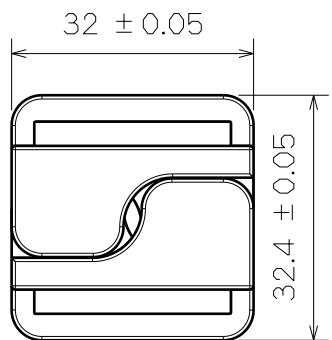


3

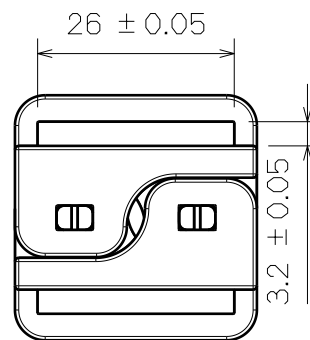
3



Right View



SF214-1



Back View

2

2

1

1

This drawing is our property.
It can't be reproduced
or communicated without
our written agreement.



**SHIN FANG PLASTIC
INDUSTRIAL CO., LTD.**

DRAWING TITLE

CENTER RELEASE BUCKLE

DRAWN BY	DATE
DANIEL CHEN	1995/3/10
CHECKED BY	DATE
JIMMY CHEN	1995/3/12
DESIGNED BY	DATE
RD	1995/3

SIZE	DRAWING NUMBER		REV
A4	SF214-1		X
SCALE	MATERIAL	SHEET	
1:1	POM	1/1	

D

A