

D

C

B

A

4

4

3

3

2

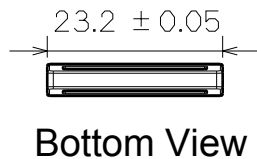
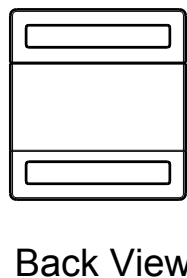
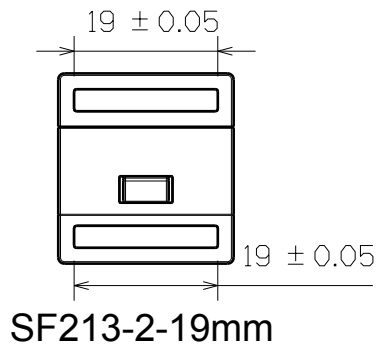
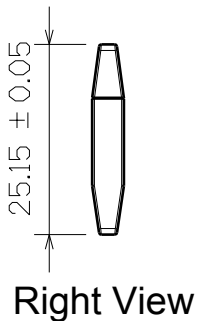
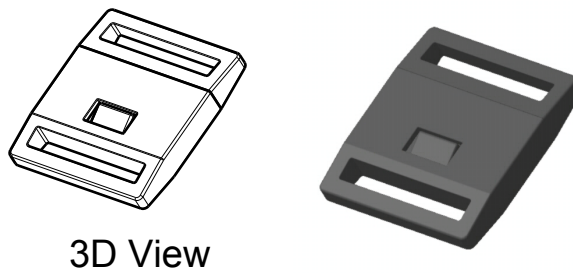
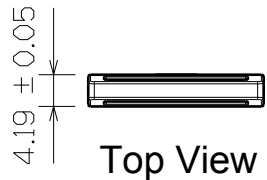
2

1

1

D

A



This drawing is our property.
It can't be reproduced
or communicated without
our written agreement.



DRAWN BY DANIEL CHEN	DATE 1998/5/8
CHECKED BY JIMMY CHEN	DATE 1998/5/10
DESIGNED BY RD	DATE 1998/5

DRAWING TITLE			
SAFETY BREAKAWAY BUCKLE			
SIZE A4	DRAWING NUMBER SF213-2-19MM		REV X
SCALE 1:1	MATERIAL POM	SHEET 1/1	