

D

C

B

A

4

4

3

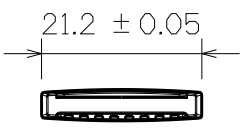
3

2

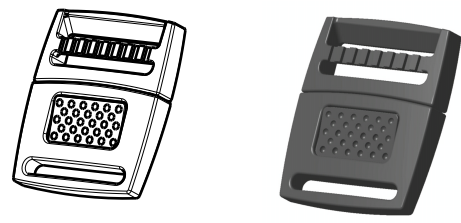
2

1

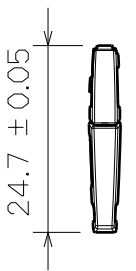
1



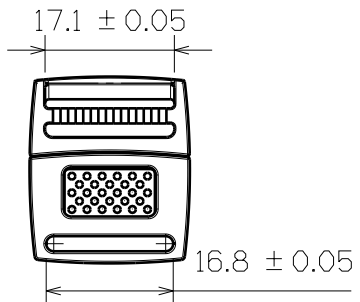
Top View



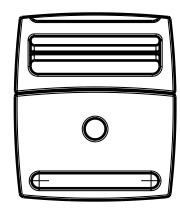
3D View



Right View



SF213-16mm



Back View



Bottom View

This drawing is our property.
It can't be reproduced
or communicated without
our written agreement.



DRAWING TITLE				
CENTER RELEASE BUCKLE				
DRAWN BY	DATE	SIZE	DRAWING NUMBER	REV
DANIEL CHEN	1995/5/8	A4	SF213-16MM	X
CHECKED BY	DATE	SCALE	MATERIAL	SHEET
JIMMY CHEN	1995/5/10	1:1	POM	1/1
DESIGNED BY	DATE			
RD	1995/5			

D

A