

D

C

B

A

4

4

3

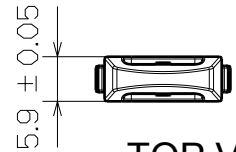
3

2

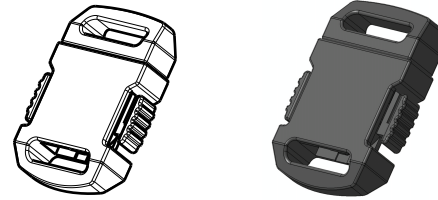
2

1

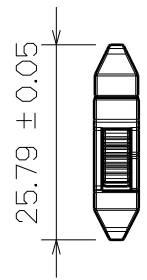
1



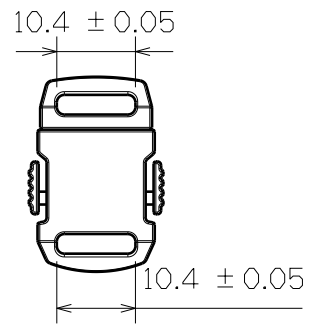
TOP VIEW



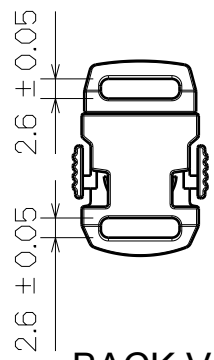
3D VIEW



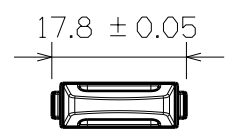
RIGHT VIEW



SF212-10mm



BACK VIEW



BOTTOM VIEW

This drawing is our property.
It can't be reproduced
or communicated without
our written agreement.



DRAWING TITLE				
PETS LOCK				
DRAWN BY	DATE	SIZE	DRAWING NUMBER	REV
BRAIN CHEN	2000/6/4	A4	SF212-10MM	X
CHECKED BY	DATE	SCALE	MATERIAL	SHEET
JIMMY CHEN	2000/6/8	1:1	POM	1/1
DESIGNED BY	DATE			
RD	2000/6			

D

A