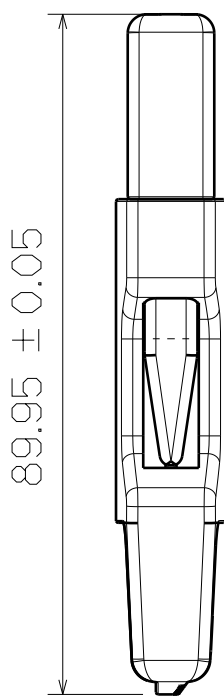
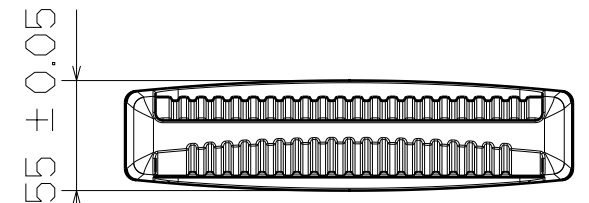


H G F E D C B A

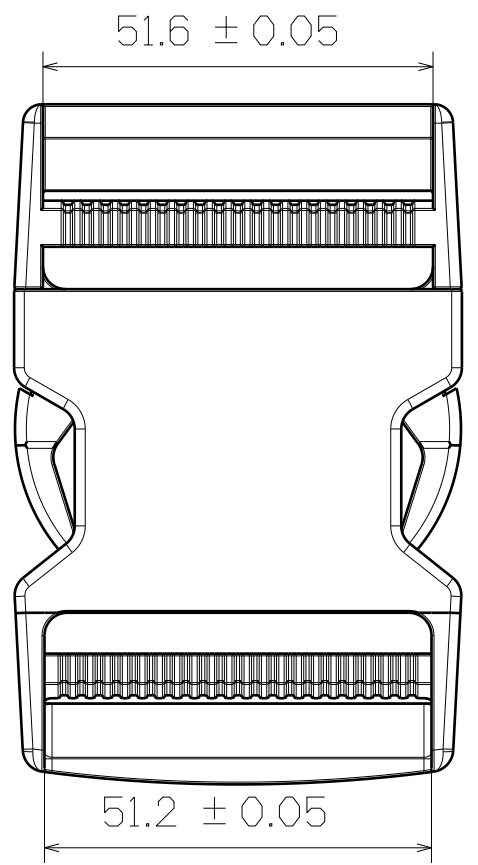
4  
3  
2  
1



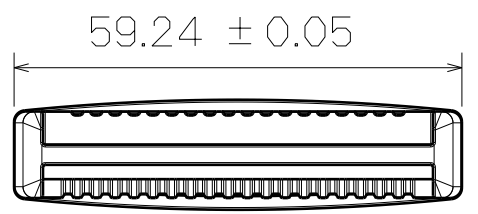
Right View



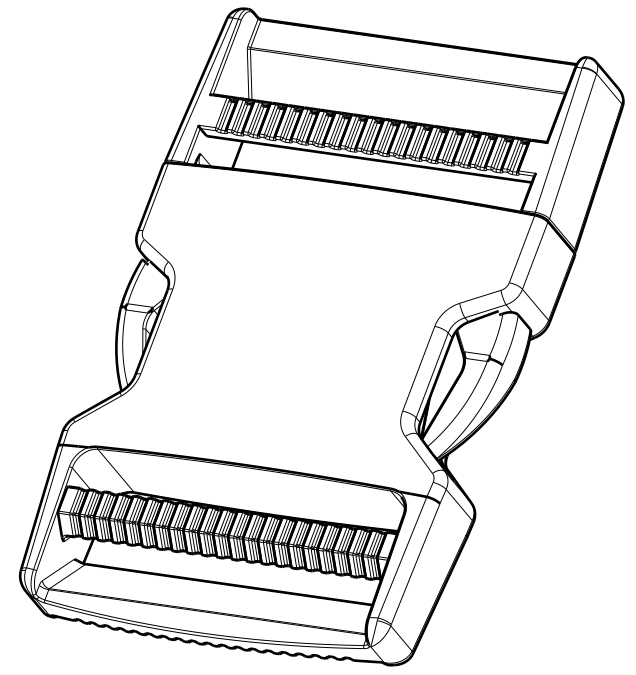
Top View



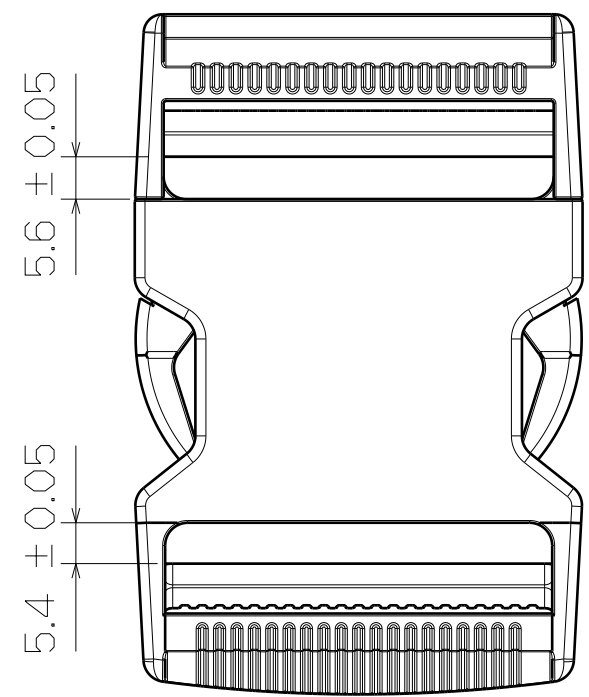
SF210-51mm



Bottom View



3D View



Back View

This drawing is our property. It can't be reproduced or communicated without our written agreement.					
DRAWN BY <b>DANIEL CHEN</b>		DATE 1995/5/8		DRAWING TITLE <b>DUAL ADJUSTABLE SIDE RELEASE BUCKLE</b>	
CHECKED BY <b>JIMMY CHEN</b>		DATE 1995/5/10		SIZE <b>A3</b>	REV <b>X</b>
DESIGNED BY <b>RD</b>		DATE 1995/5		SCALE <b>1:1</b>	MATERIAL <b>POM</b>
				SHEET <b>1/1</b>	

H G F E D C B A