

H G F E D C B A

4

3

2

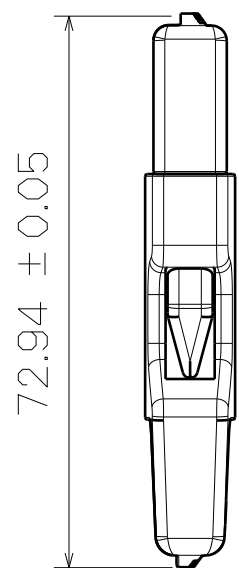
1

4

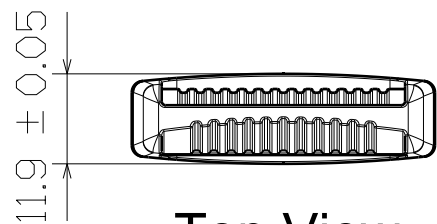
3

2

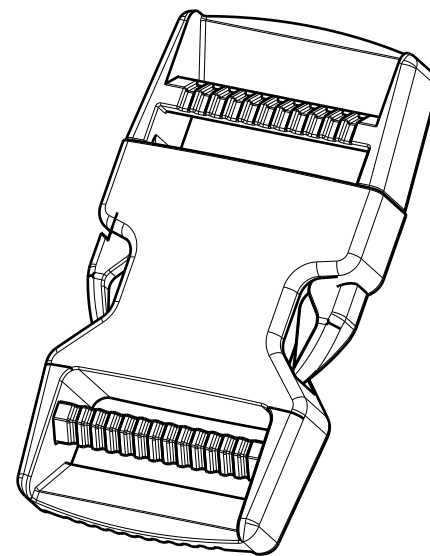
1



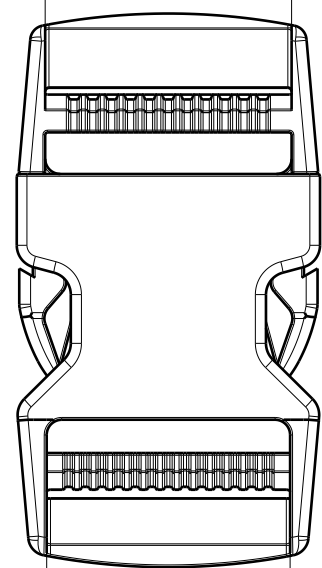
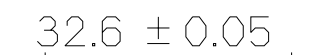
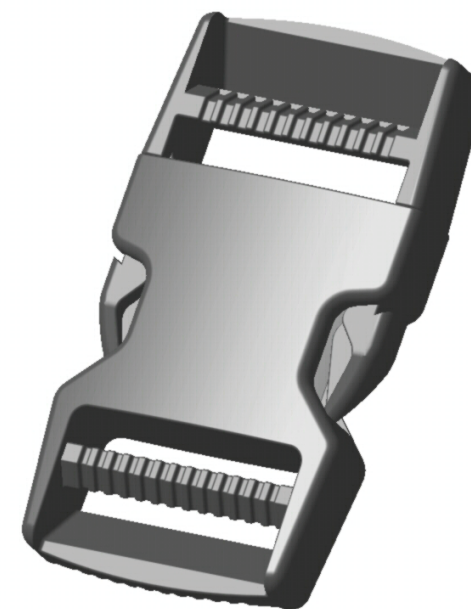
Right View



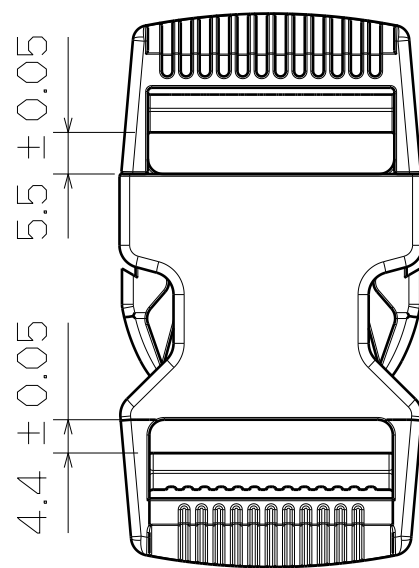
Top View



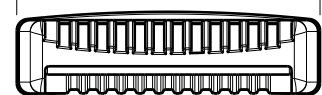
3D View




SF210-32mm



Back View



Bottom View

This drawing is our property. It can't be reproduced or communicated without our written agreement.		 SHIN FANG PLASTIC INDUSTRIAL CO., LTD.			
DRAWN BY DANIEL CHEN		DATE 1995/5/8		DRAWING TITLE DUAL ADJUSTABLE SIDE RELEASE BUCKLE	
CHECKED BY JIMMY CHEN		DATE 1995/5/10		SIZE A3	REV X
DESIGNED BY RD		DATE 1995/5		SCALE 1:1	MATERIAL POM
				SHEET 1/1	

H G F E D C B A