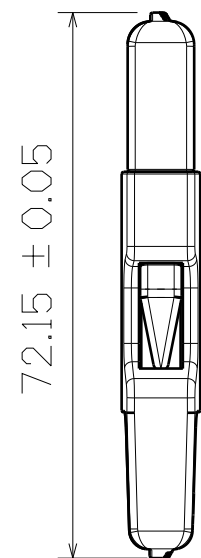
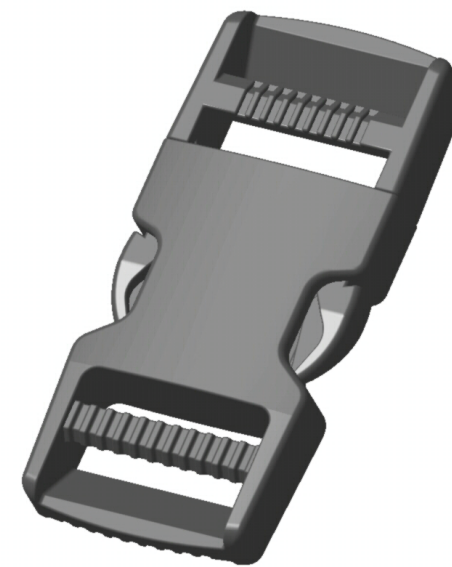
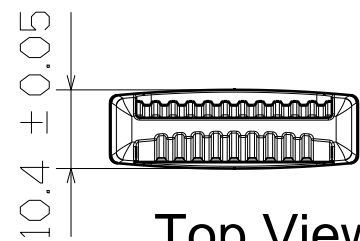


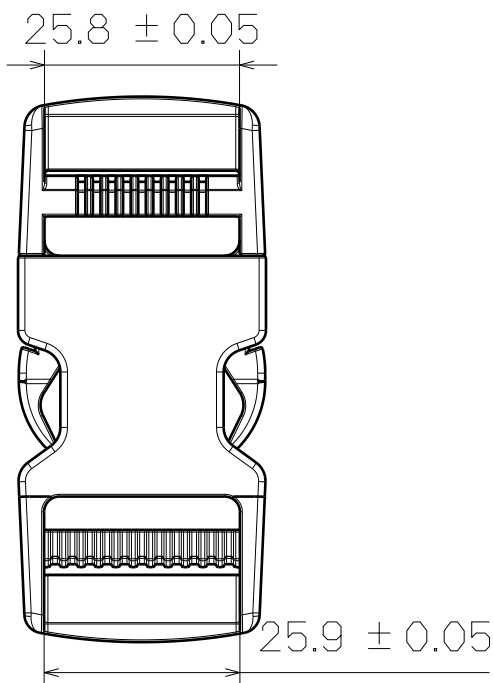
3D View



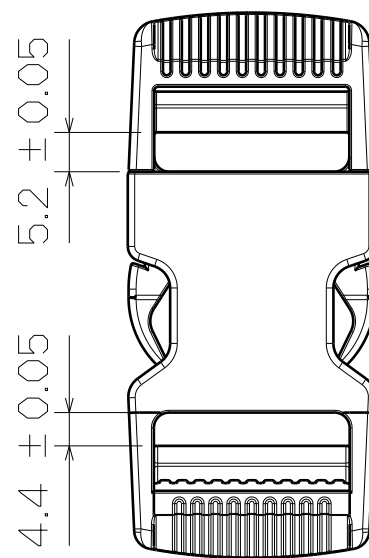
Right View



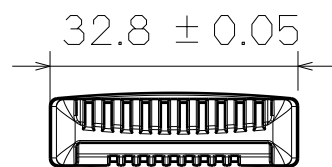
Top View



SF210-25mm



Back View



Bottom View

This drawing is our property.
It can't be reproduced
or communicated without
our written agreement.

 **SHIN FANG PLASTIC INDUSTRIAL CO., LTD.**

DRAWN BY	DATE
DANIEL CHEN	1995/5/8
CHECKED BY	DATE
JIMMY CHEN	1995/5/10
DESIGNED BY	DATE
RD	1995/5

DRAWING TITLE			
DUAL ADJUSTABLE SIDE RELEASE BUCKLE			
SIZE	DRAWING NUMBER	REV	
A3	SF210-25MM	X	
SCALE	1:1	MATERIAL	SHEET
		POM	1/1