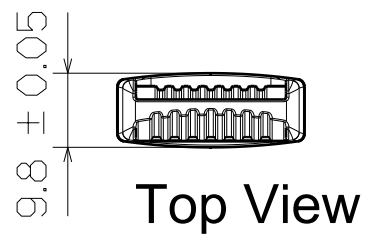
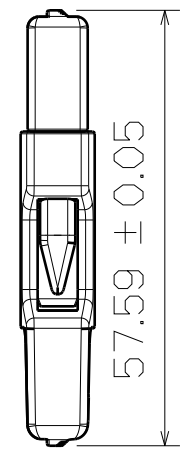


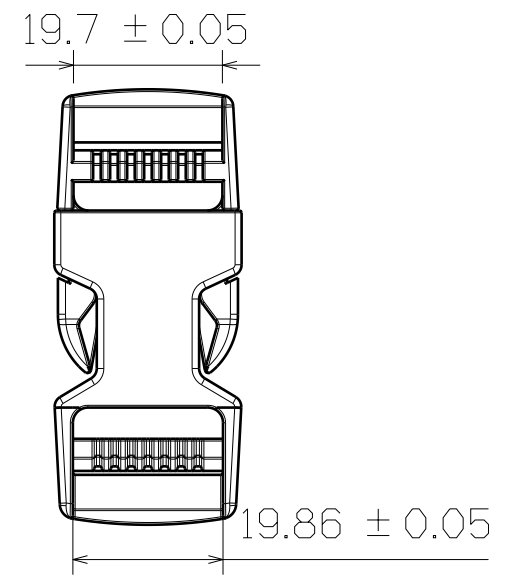
3D View



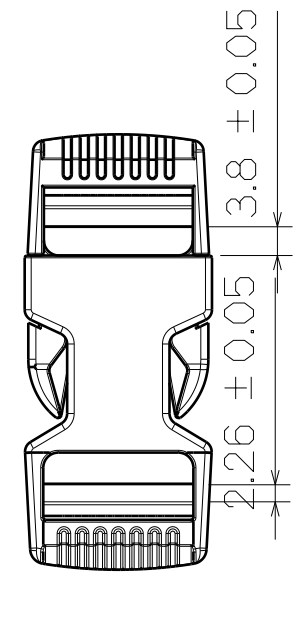
Top View



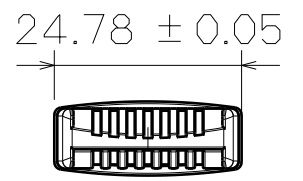
Right View



SF210-20mm



Back View



Bottom View

This drawing is our property.  
It can't be reproduced  
or communicated without  
our written agreement.



**SHIN FANG PLASTIC  
INDUSTRIAL CO., LTD.**

DRAWN BY		DATE		DRAWING TITLE			
DANIEL CHEN		1995/8/5		DUAL ADJUSTABLE SIDE RELEASE BUCKLE			
CHECKED BY		DATE		SIZE	DRAWING NUMBER		REV
JIMMY CHEN		1995/8/7		A3	SF210-20MM		X
DESIGNED BY		DATE		SCALE	1:1	MATERIAL	POM
RD		1995/8		SHEET	1/1		