

D

C

B

A

4

4

3

3

2

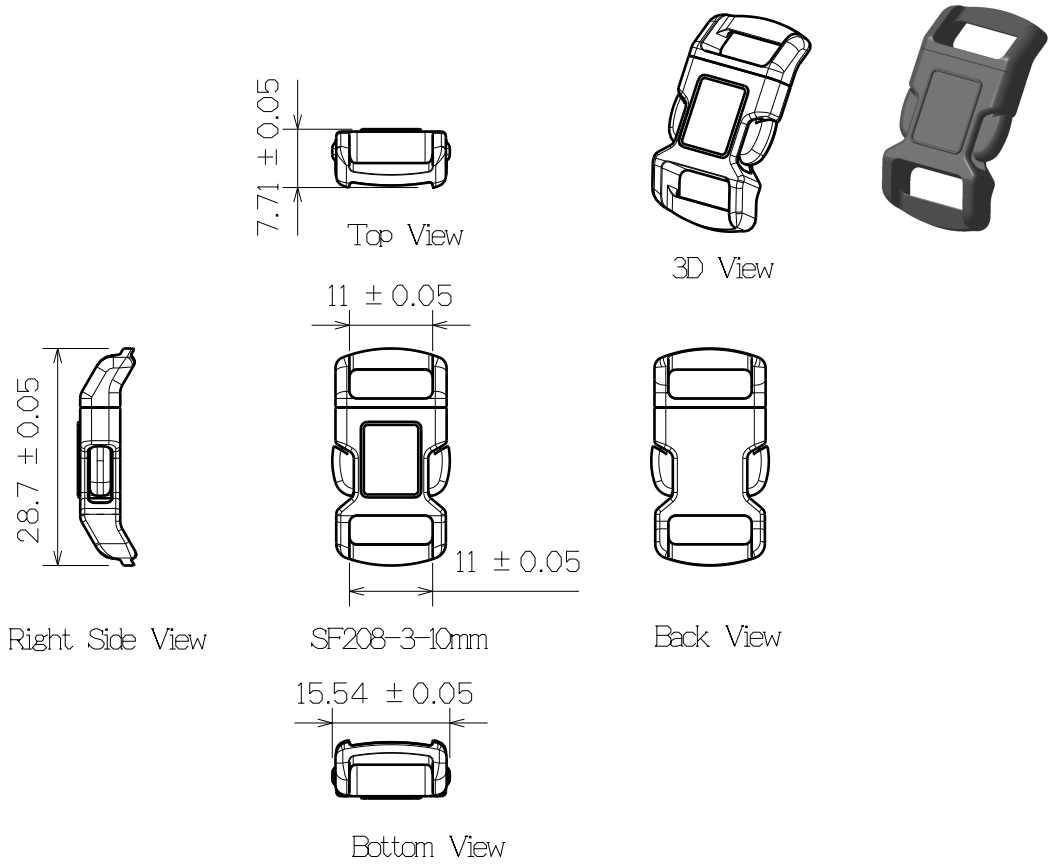
2


1

1

D

A



This drawing is our property. It can't be reproduced or communicated without our written agreement.		 <b>SHIN FANG PLASTIC INDUSTRIAL CO., LTD.</b>			
DRAWN BY		DRAWING TITLE			
<b>DANIEL CHEN</b>		<b>CONTOURED SIDE RELEASE BUCKLE</b>			
CHECKED BY	DATE	SIZE	DRAWING NUMBER		REV
<b>JIMMY CHEN</b>	1995/8/7	<b>A4</b>	<b>SF208-3-10MM</b>		<b>X</b>
DESIGNED BY	DATE	SCALE	MATERIAL	SHEET	
<b>RD</b>	1995/8	<b>1:1</b>	<b>POM</b>	<b>1/1</b>	