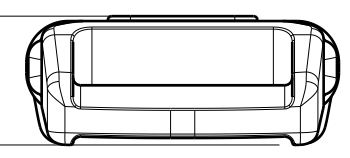
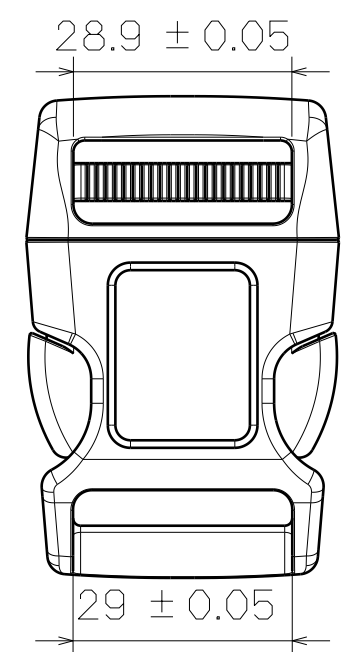


3D View



17.03 ± 0.05

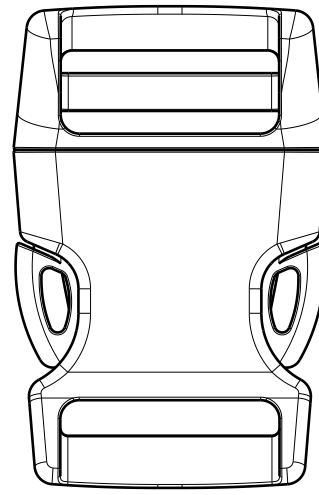
Top View



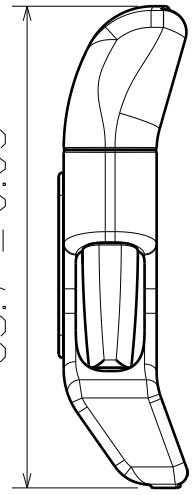
28.9 ± 0.05

29 ± 0.05

SF208-1-29mm

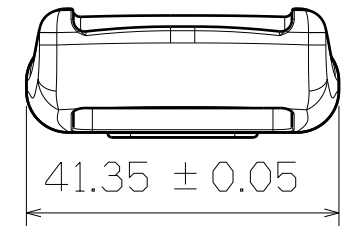


Back View



63.7 ± 0.05

Right View



41.35 ± 0.05

Bottom View

This drawing is our property.
It can't be reproduced
or communicated without
our written agreement.



**SHIN FANG PLASTIC
INDUSTRIAL CO., LTD.**

DRAWN BY	DATE
DANIEL CHEN	1995/5/4
CHECKED BY	DATE
JIMMY CHEN	1995/5/8
DESIGNED BY	DATE
RD	1995/5

DRAWING TITLE			
HEAVY CONTOURED SIDE RELEASE BUCKLE			
SIZE	DRAWING NUMBER	REV	
A3	SF208-1-29MM	X	
SCALE	1:1	MATERIAL	POM SHEET
		1/1	