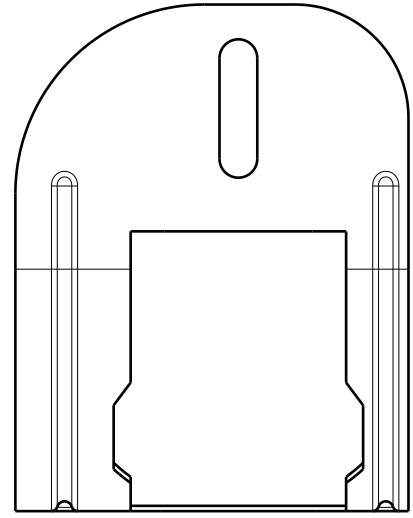


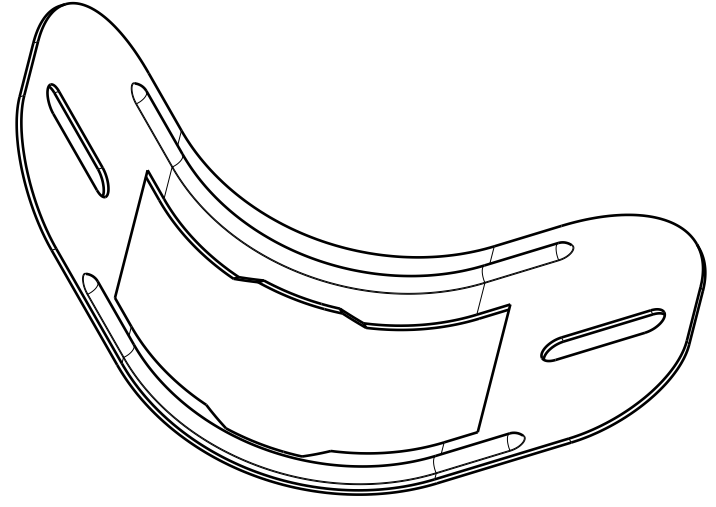
H G F E D C B A

4

4



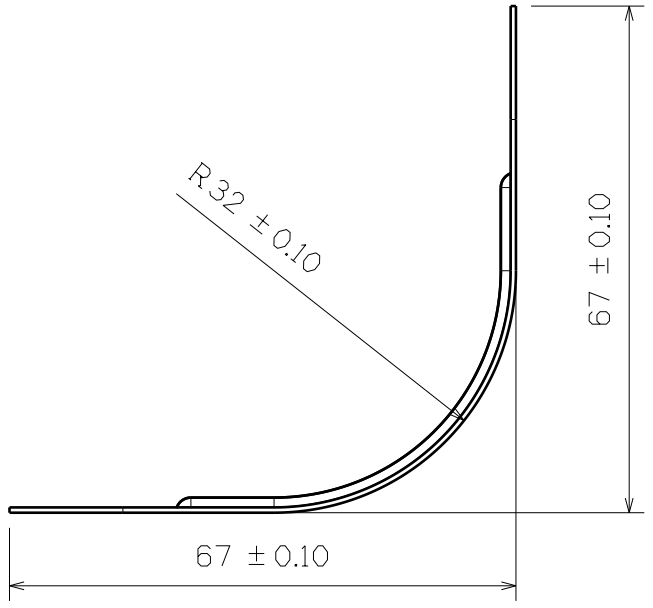
TOP VIEW



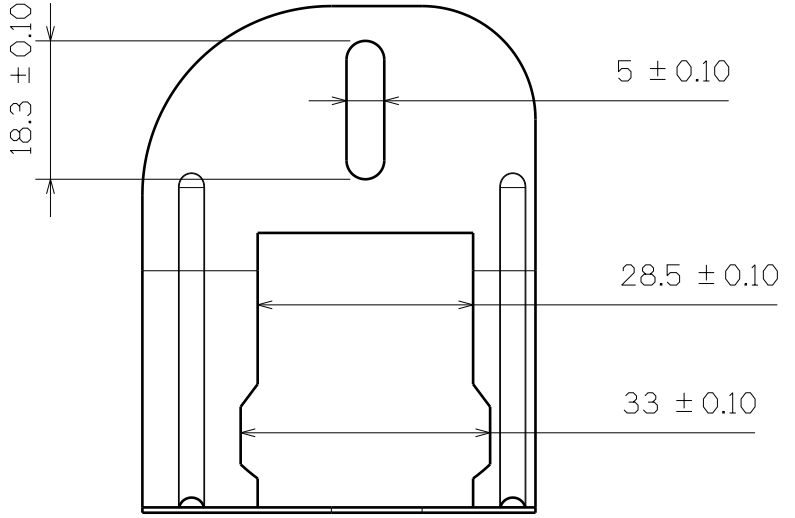
3D VIEW

3

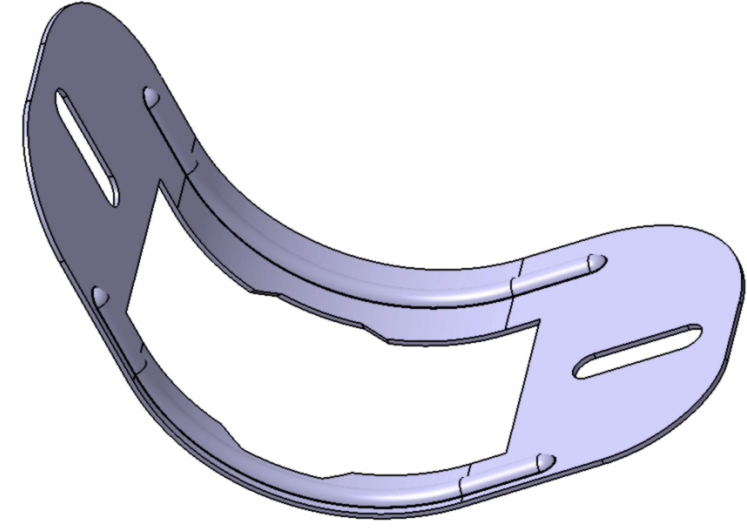
3



RIGHT VIEW



SF168




2

2

1

1

This drawing is our property. It can't be reproduced or communicated without our written agreement.		 SHIN FANG PLASTIC INDUSTRIAL CO., LTD.		
DRAWN BY BRIAN CHEN		DATE 2006/11/23		DRAWING TITLE Inside plate cover
CHECKED BY JIMMY CHEN		DATE 2006/11/23		
DESIGNED BY RD		DATE XXX		SIZE A3
		SCALE 1:1		DRAWING NUMBER SF168
		MATERIAL: zinc plate		REV X
		SHEET 1/1		

H G B A