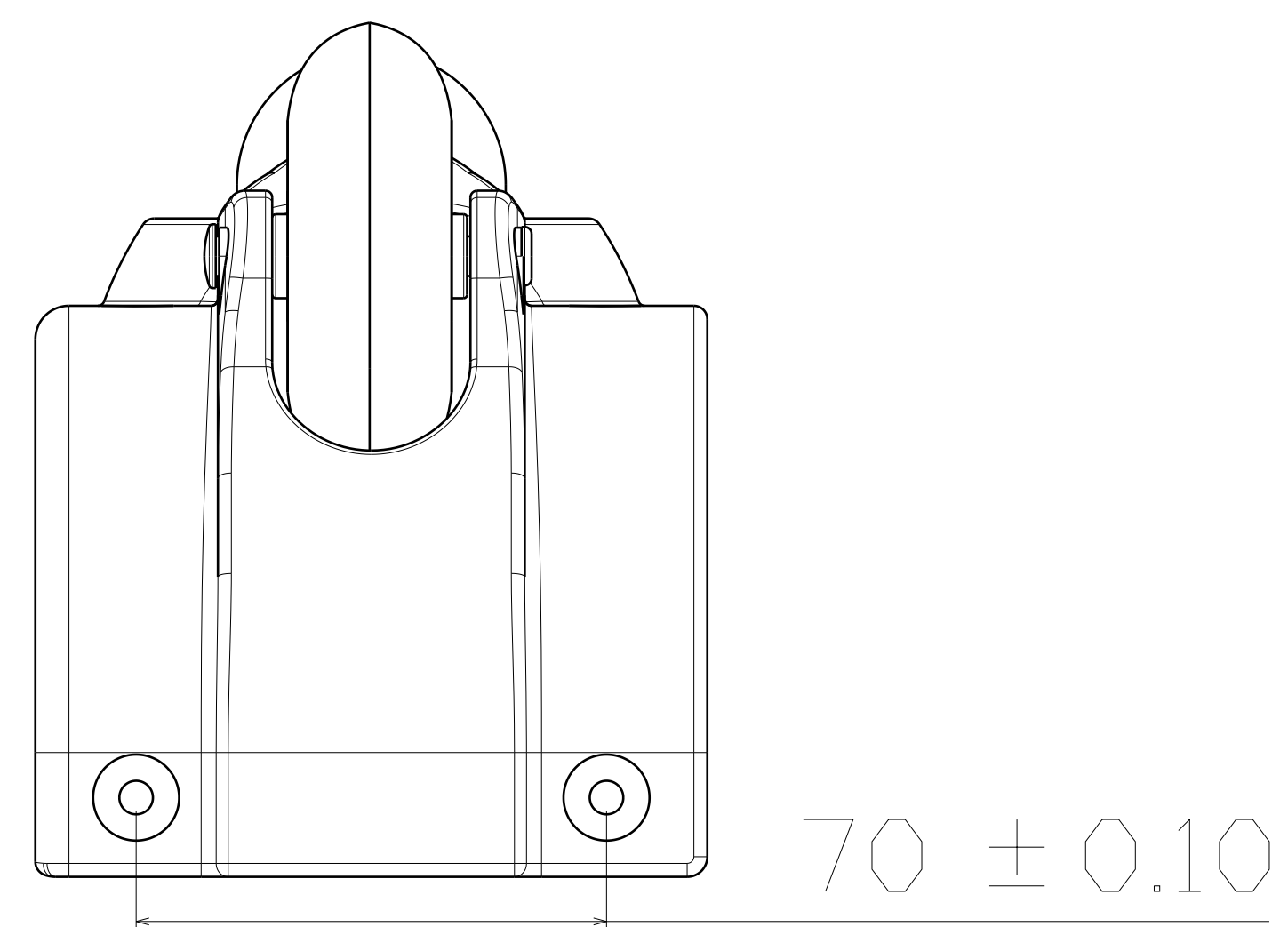
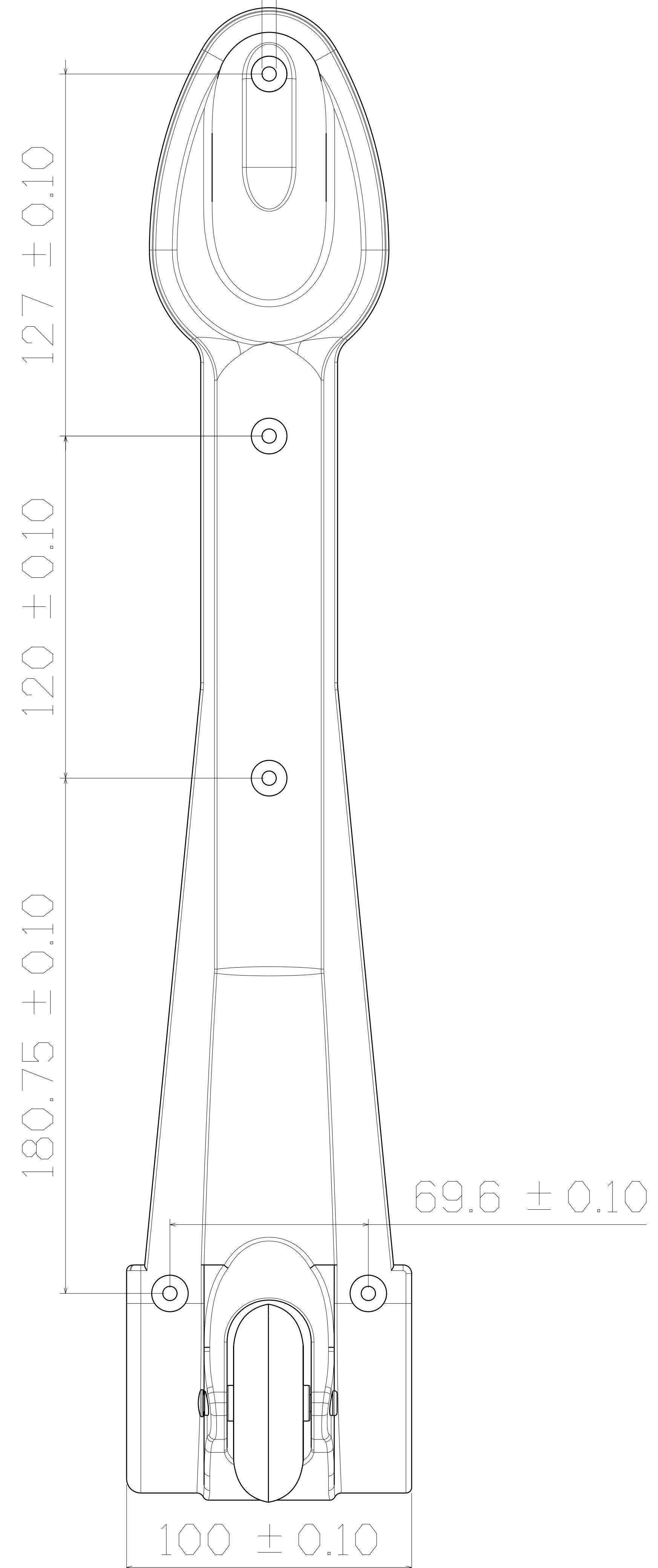


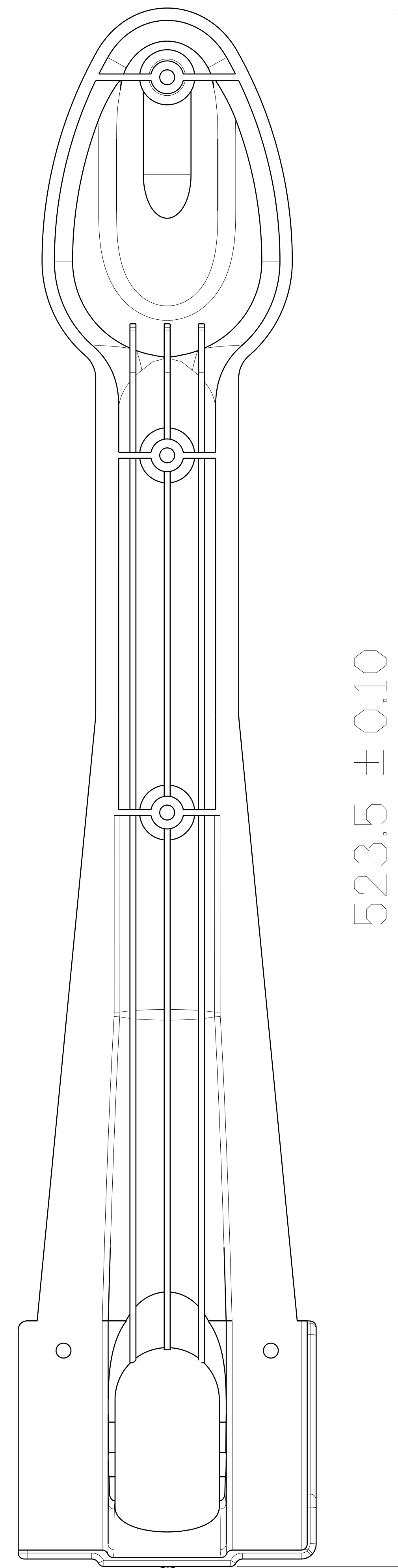
Right View



Top View



SF166



Back View



3D View

<small>This drawing is our property. It can't be reproduced or communicated without our written agreement.</small>			
DRAWING TITLE		Bottom bar with side wheel	
DRAWN BY	DATE	SIZE	DRAWING NUMBER
BRIAN CHEN	2002/6/8	A0	SF166
CHECKED BY	DATE	SCALE	REV
JIMMY CHEN	2002/6/9	1:1	X
DESIGNED BY	DATE	SHEET 1/1	
RD	2002/6	<small>BOTTOM BAR: PP WHEEL: NYLON/PP/PC BALL BEARING</small>	