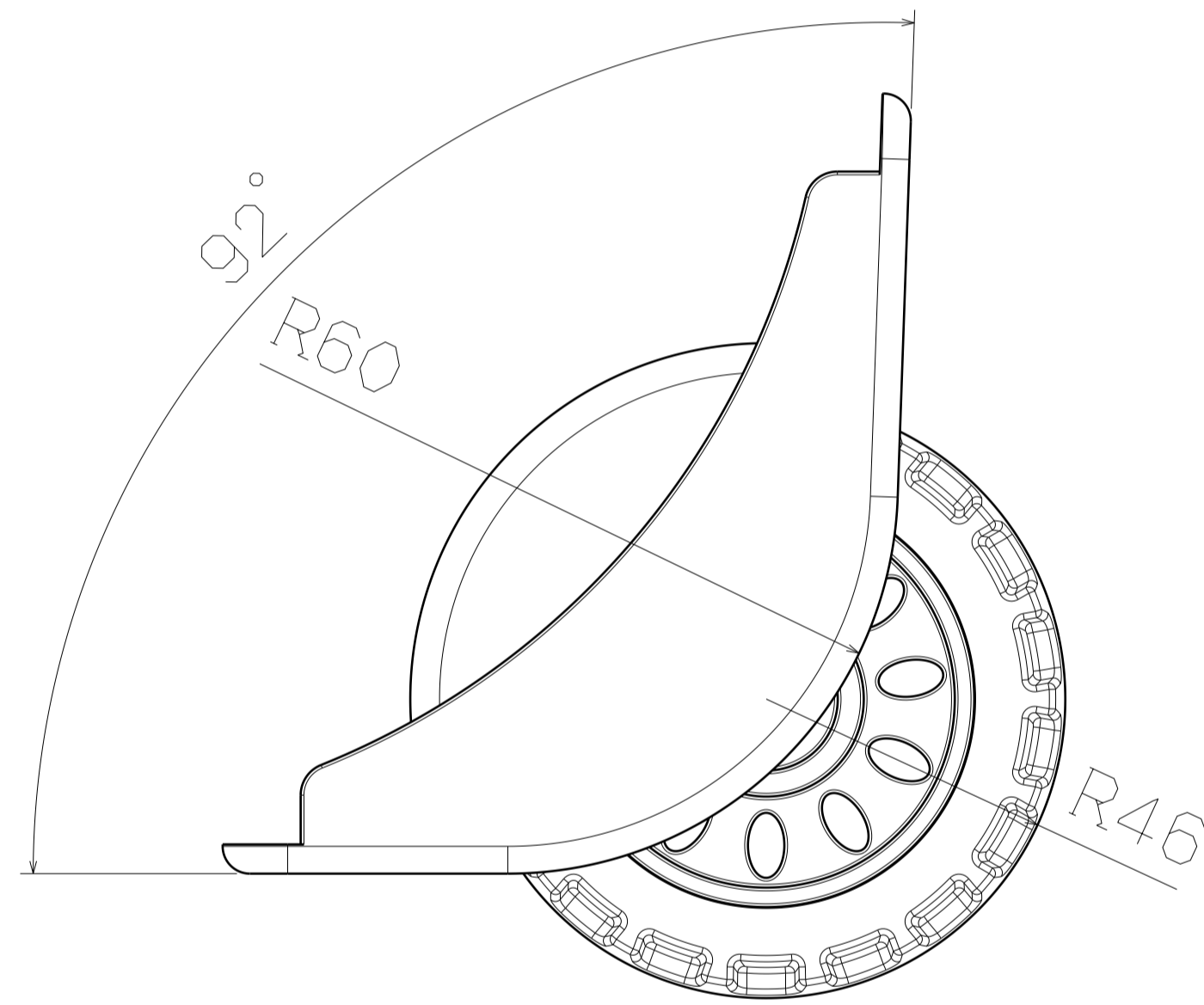
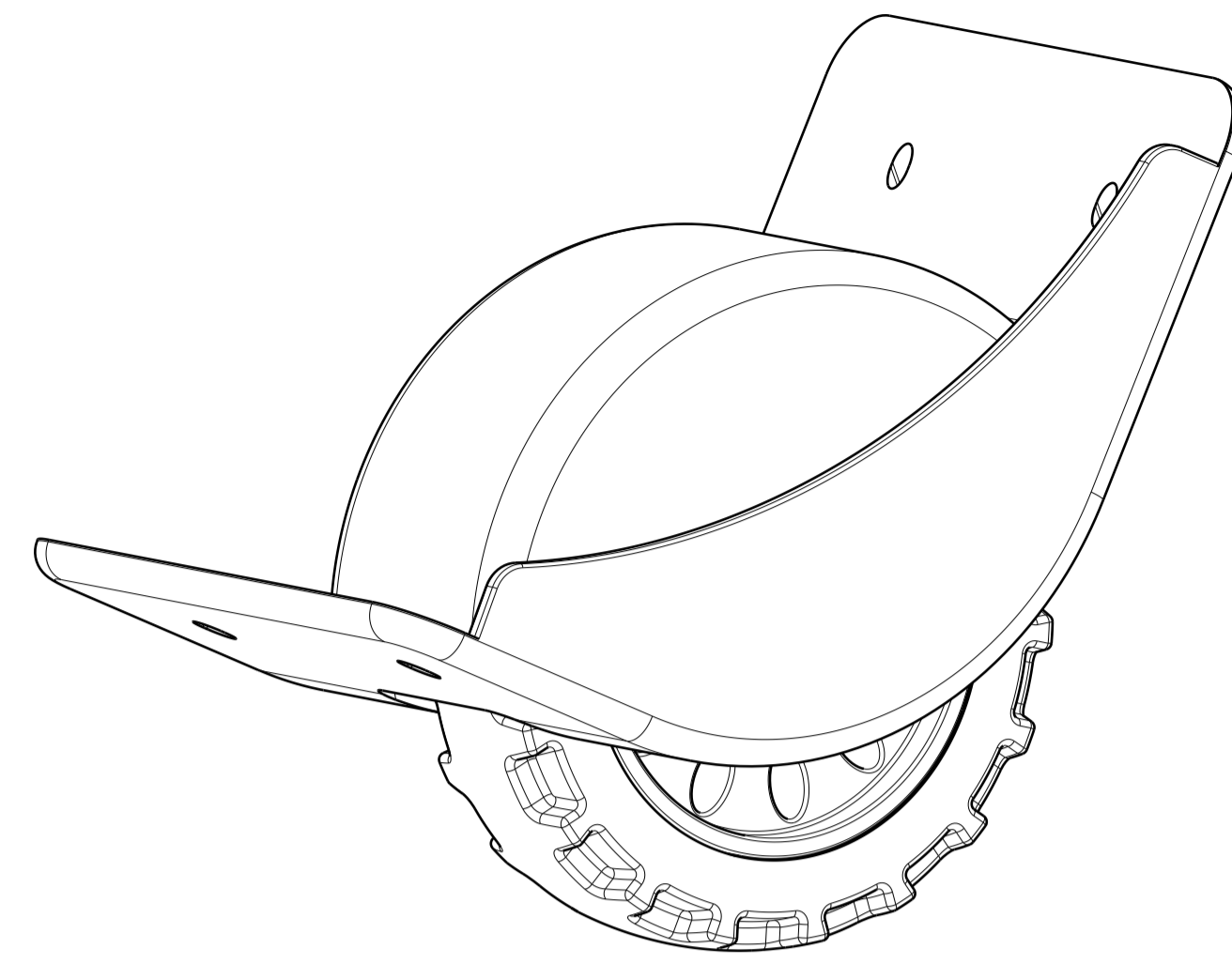


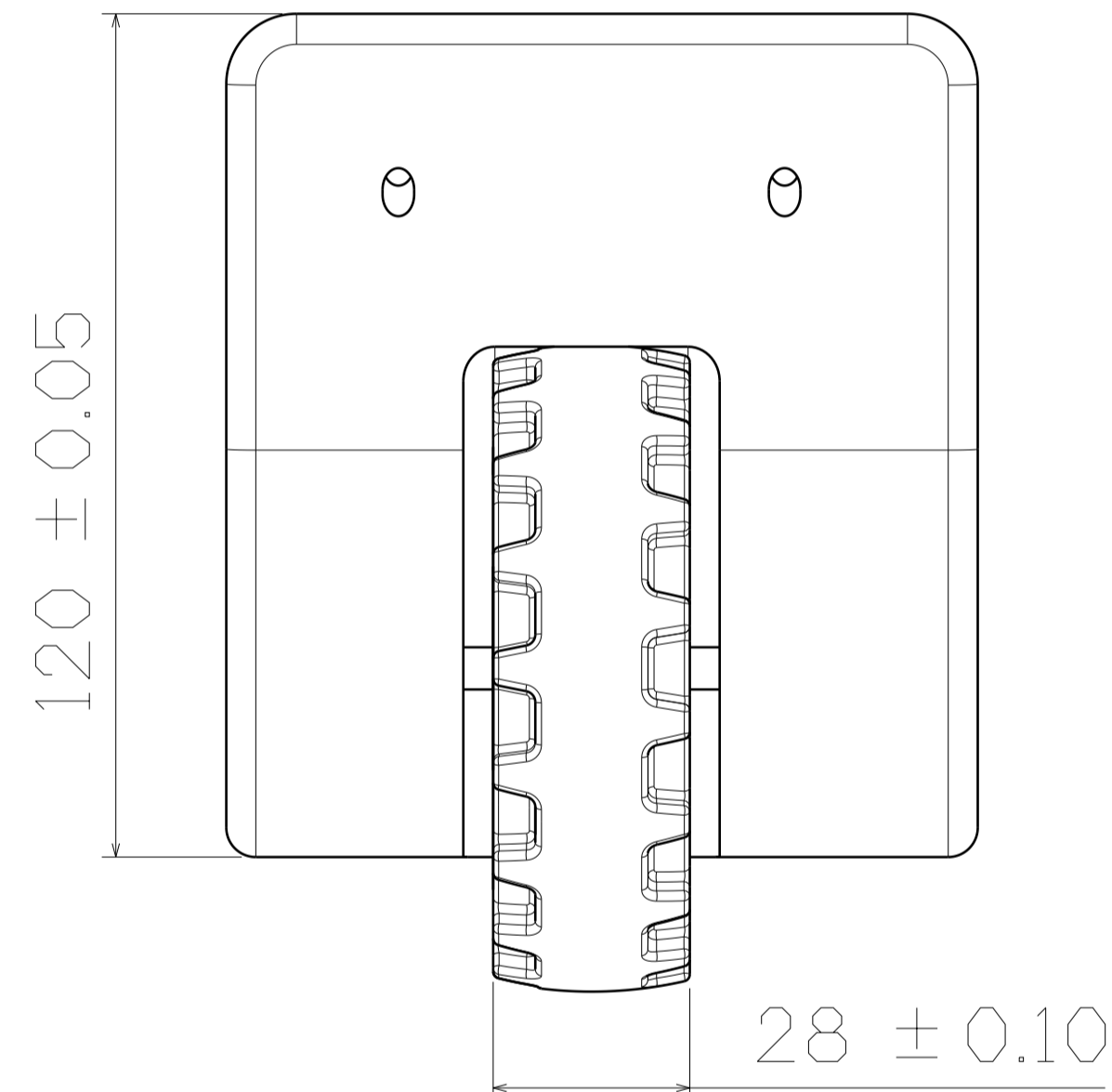
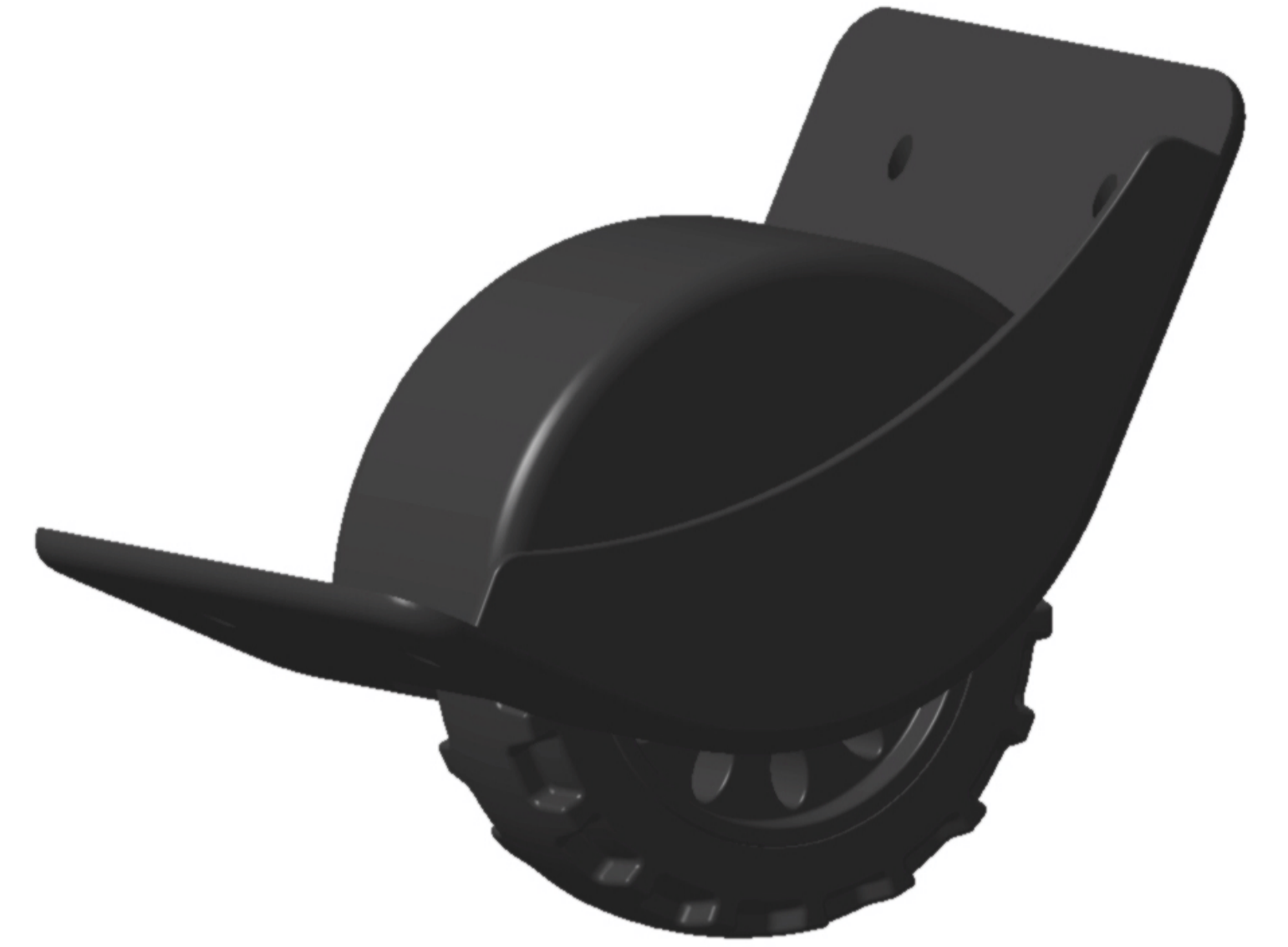
Top View



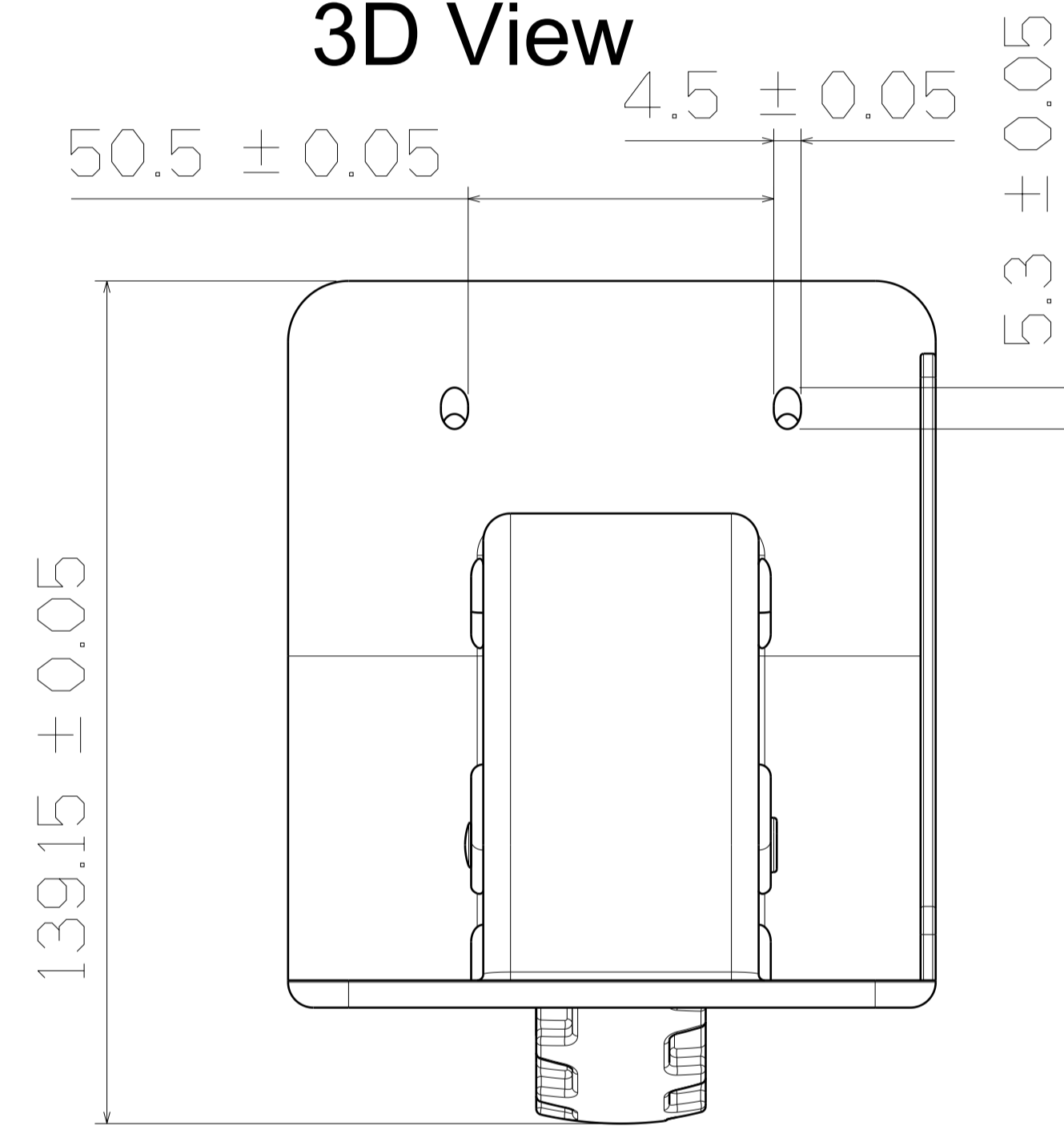
SF165



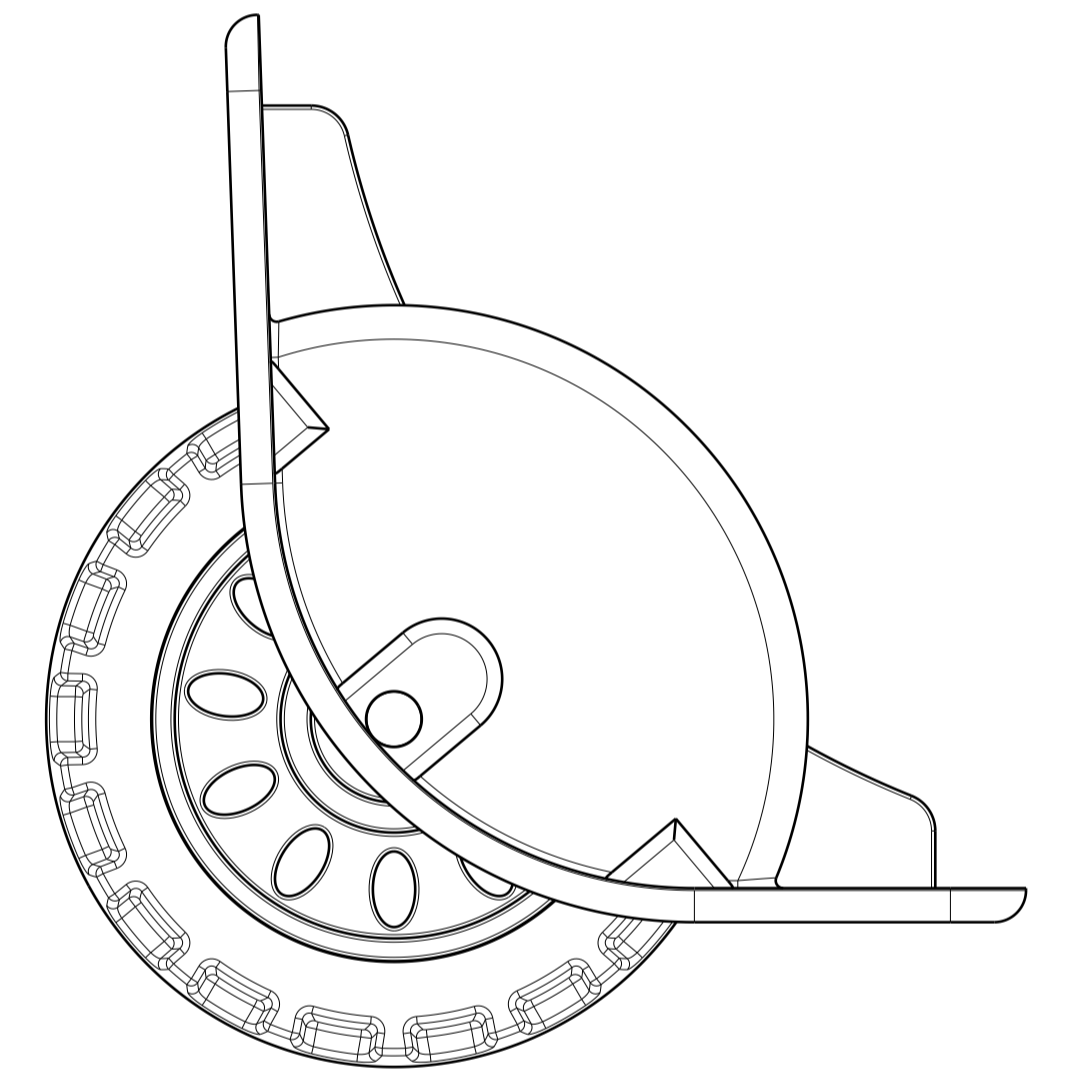
3D View



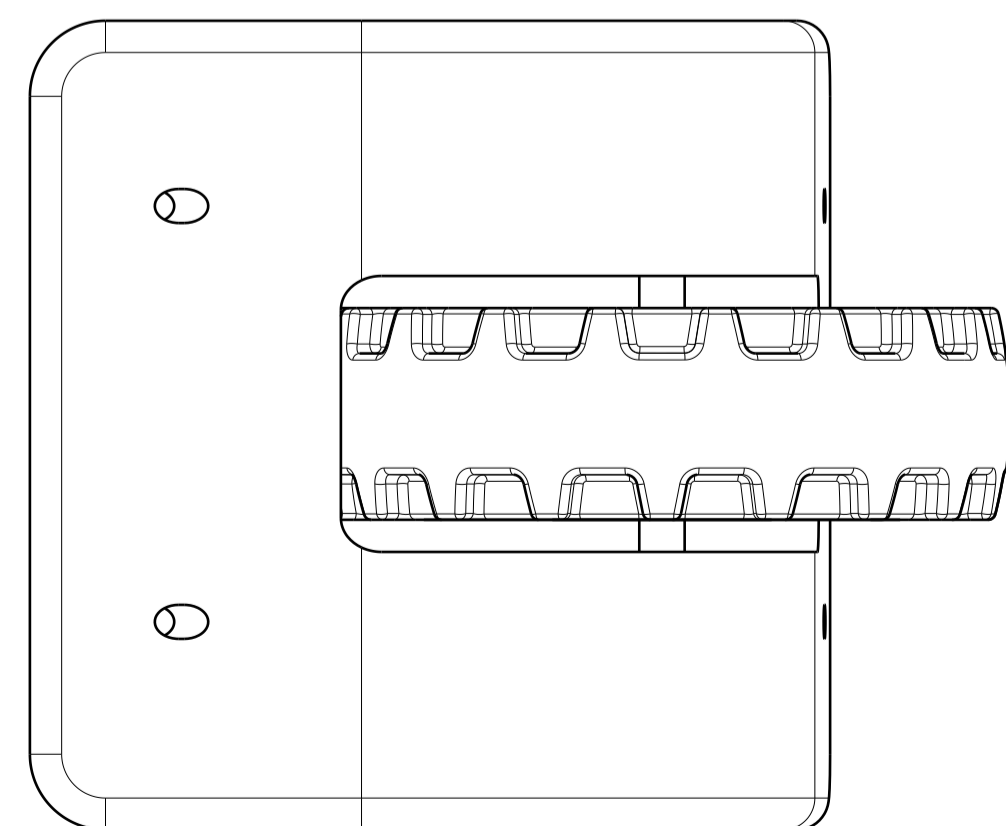
Right View



Left View



Back View



Bottom View

This drawing is our property. It can't be reproduced or communicated without our written agreement.			
DRAWING TITLE			
DRAWN BY	DATE	SIDE WHEEL WITH PROTECTIVE RIM	
DANIEL CHEN	1995/3/4	SIZE	DRAWING NUMBER
CHECKED BY	DATE	A1	SF165
JIMMY CHEN	1995/3/6	SCALE	1:1
DESIGNED BY	DATE	WHEEL SEAT: PP WHEEL: NYLON+PVC +BALL BEARING	SHEET 1/1
RD	1995/3		