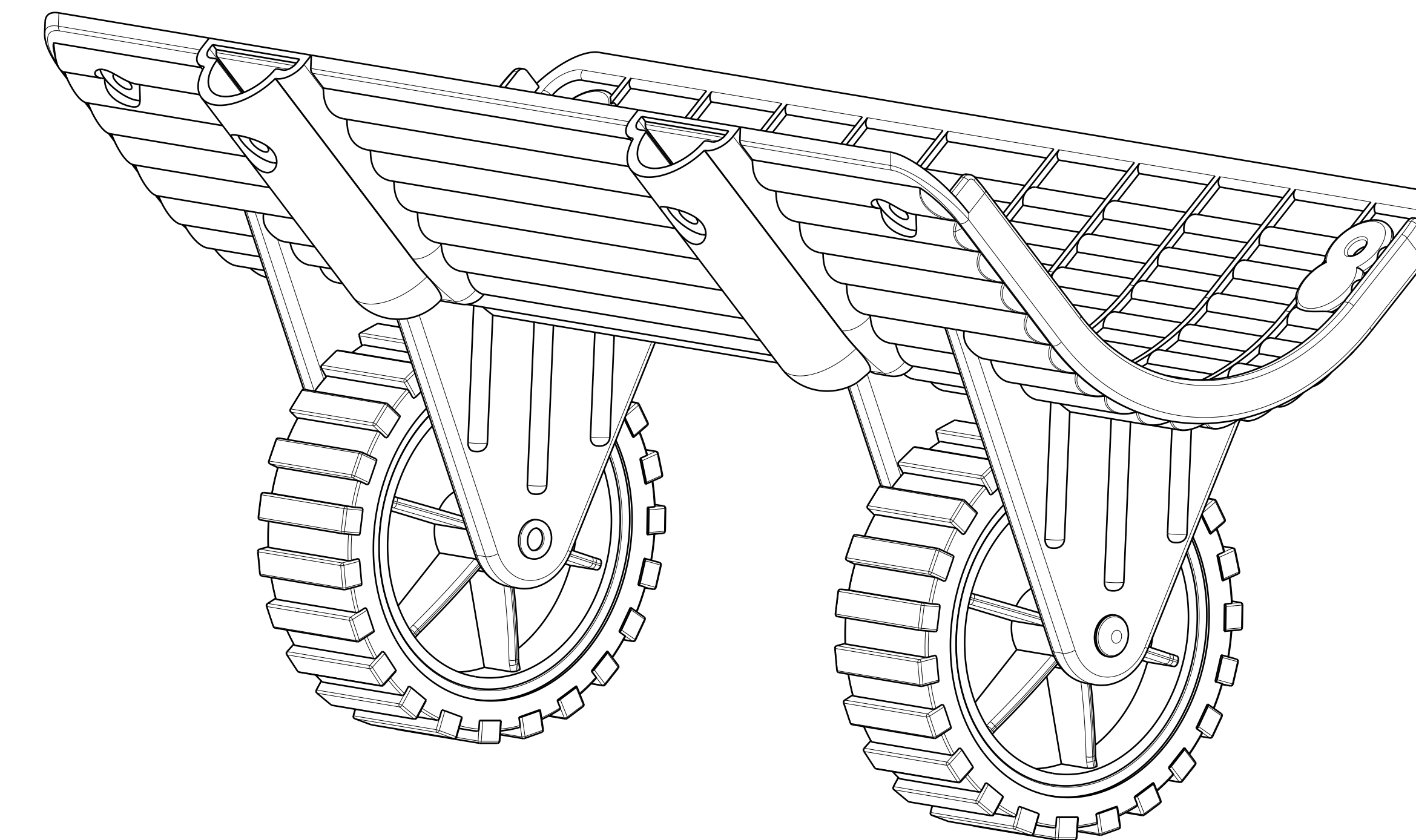
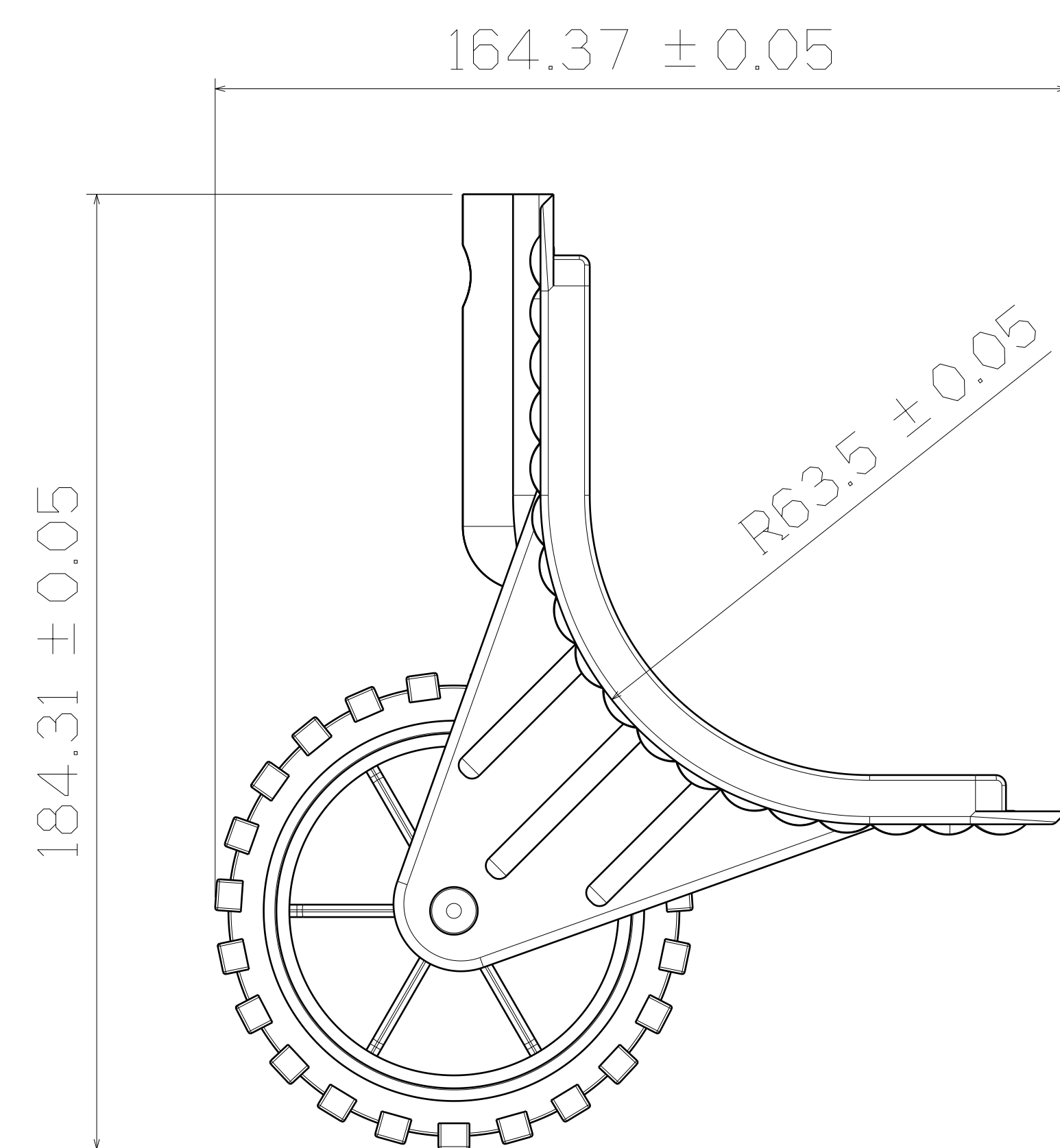


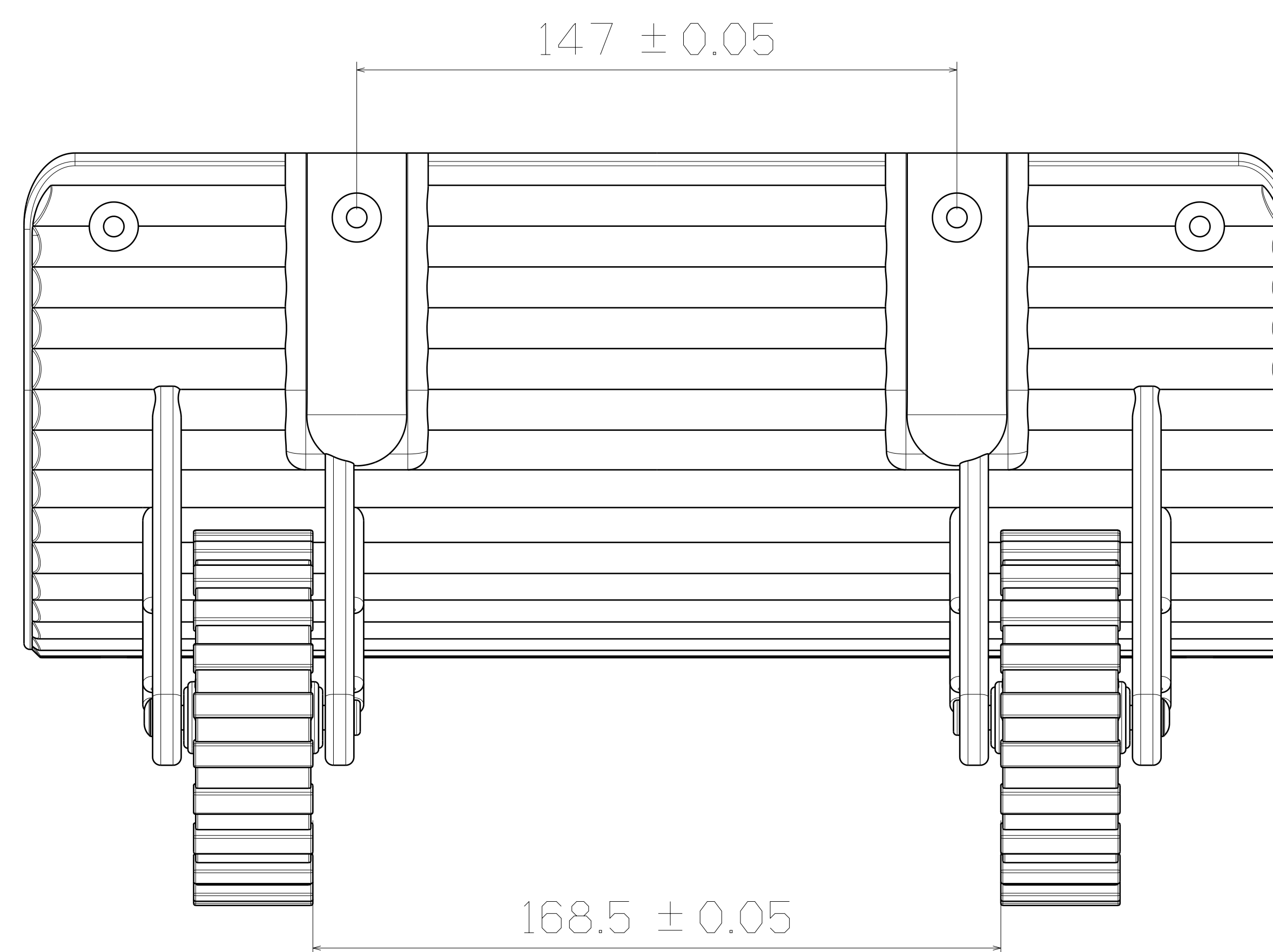
Top View



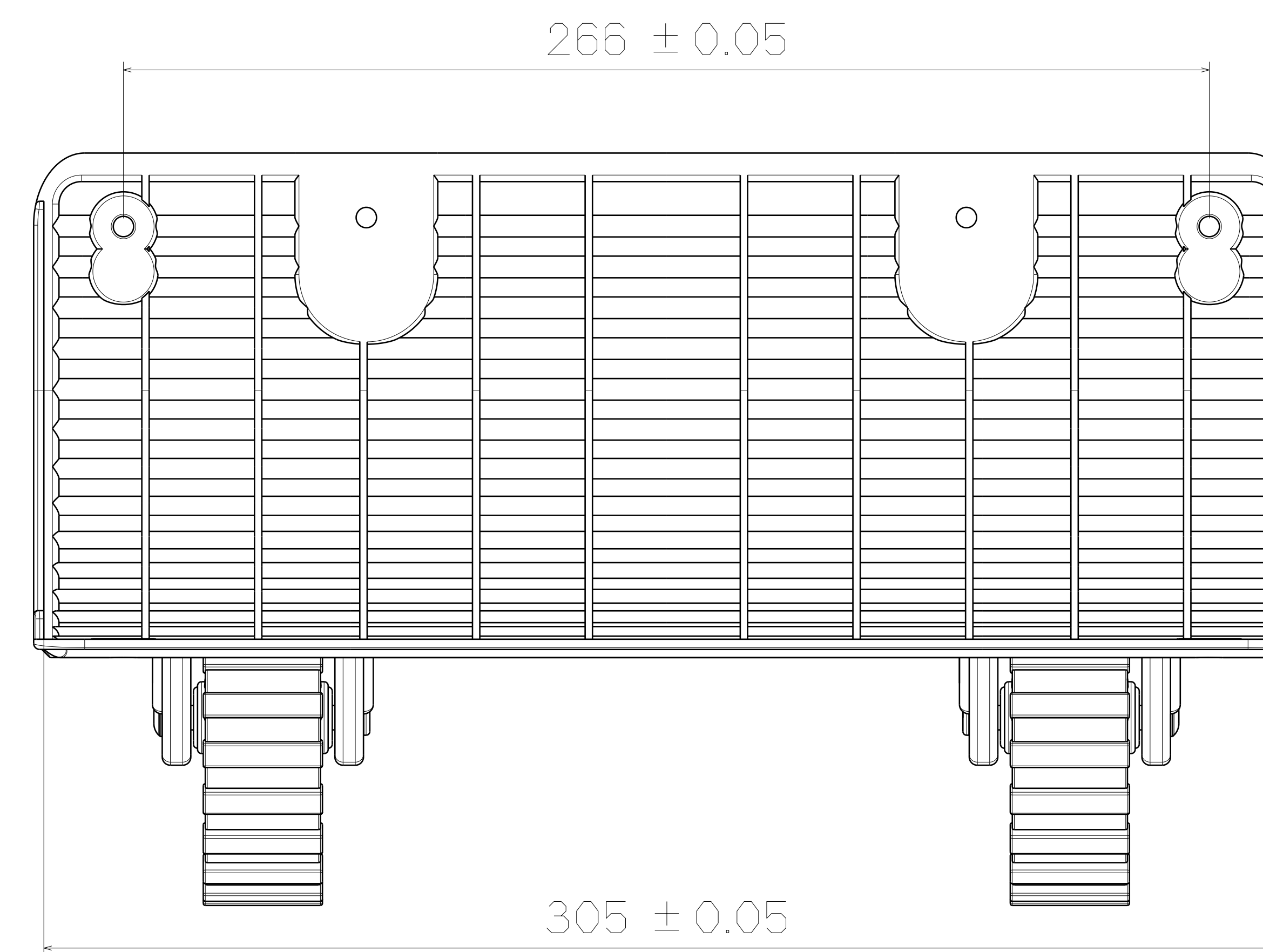
3D View



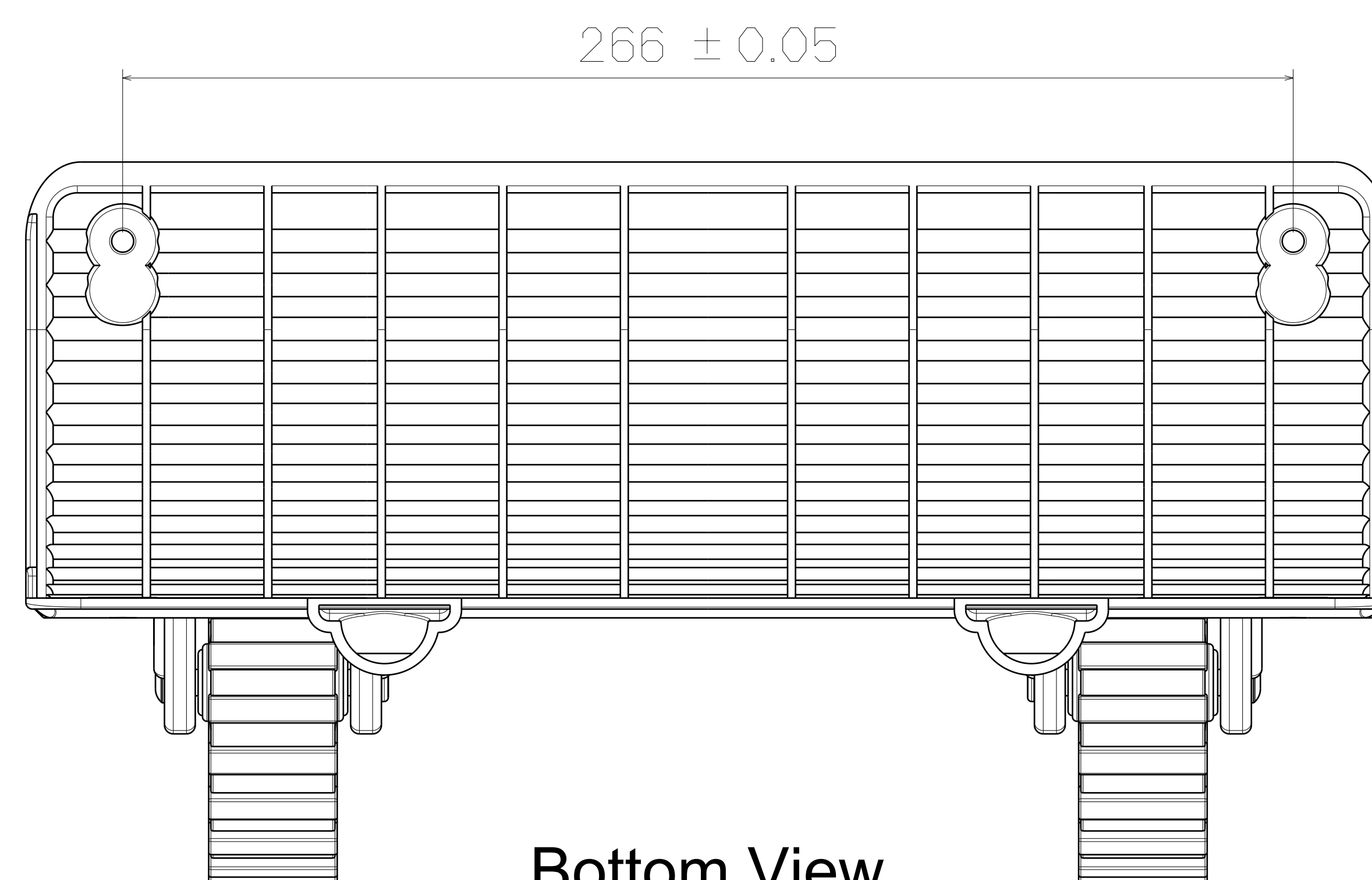
Right View



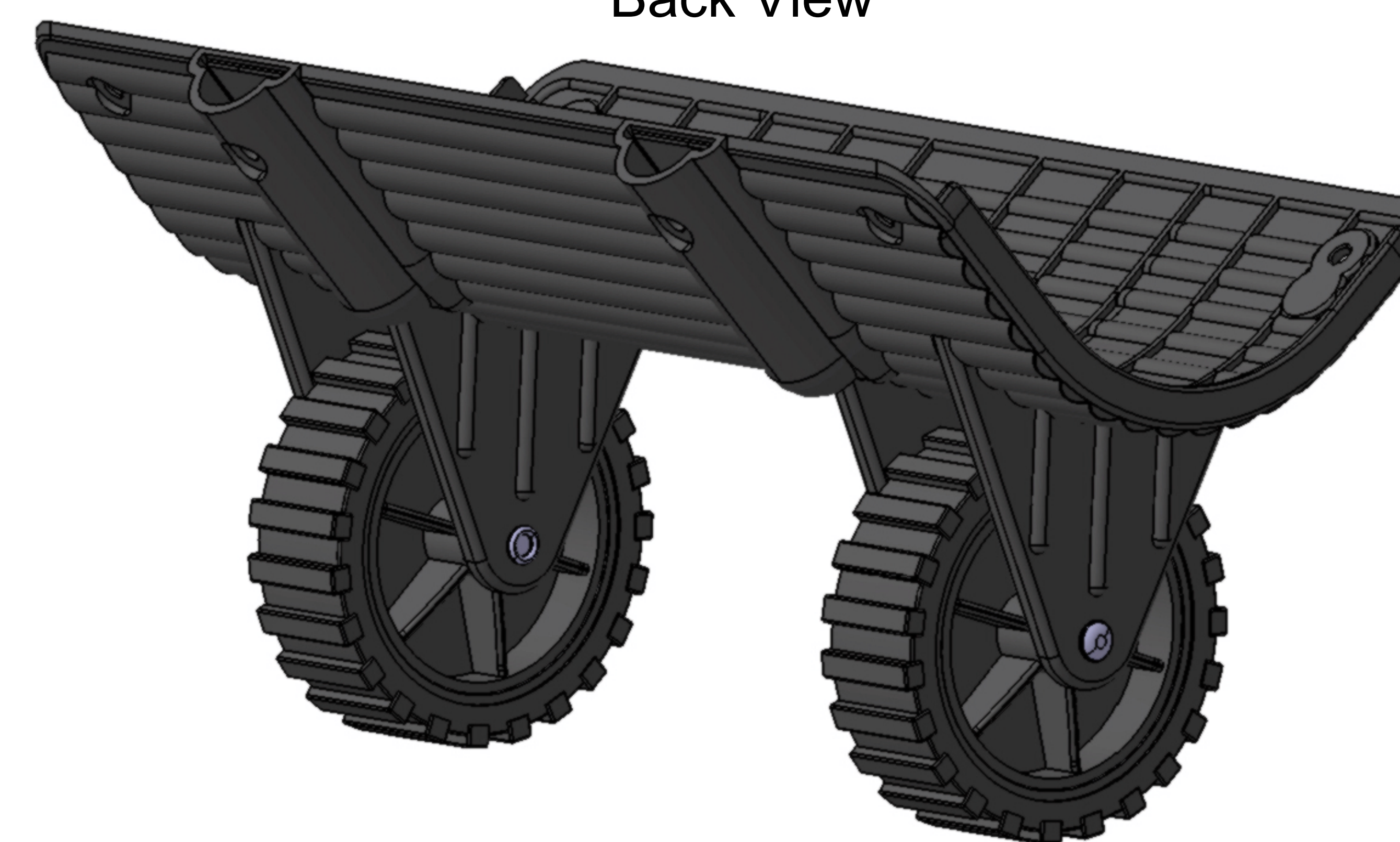
SF164-2



Back View



Bottom View



This drawing is our property. It can't be reproduced or communicated without our written agreement.			
DRAWING TITLE		Bottom Wheel	
DRAWN BY	DATE	SIZE	DRAWING NUMBER
BRIAN CHEN	2000/5/20	A0	SF164-2
CHECKED BY	DATE	SCALE	REV
JIMMY CHEN	2000/5/22	1:1	X
DESIGNED BY	DATE	WHEEL SEAT: PP	WHEEL: NYLON+PVC
RD	2000/5	SHEET	1/1