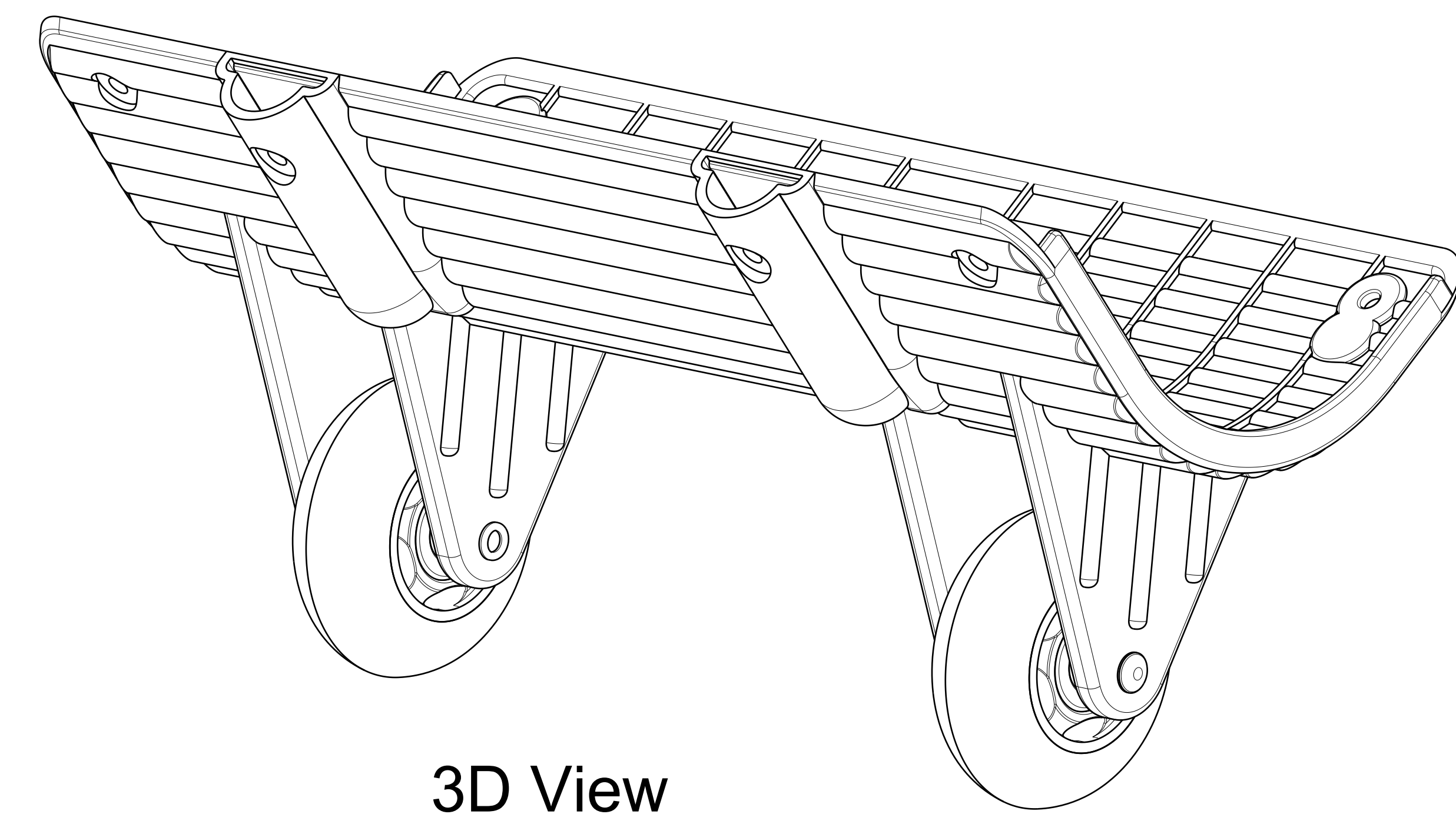
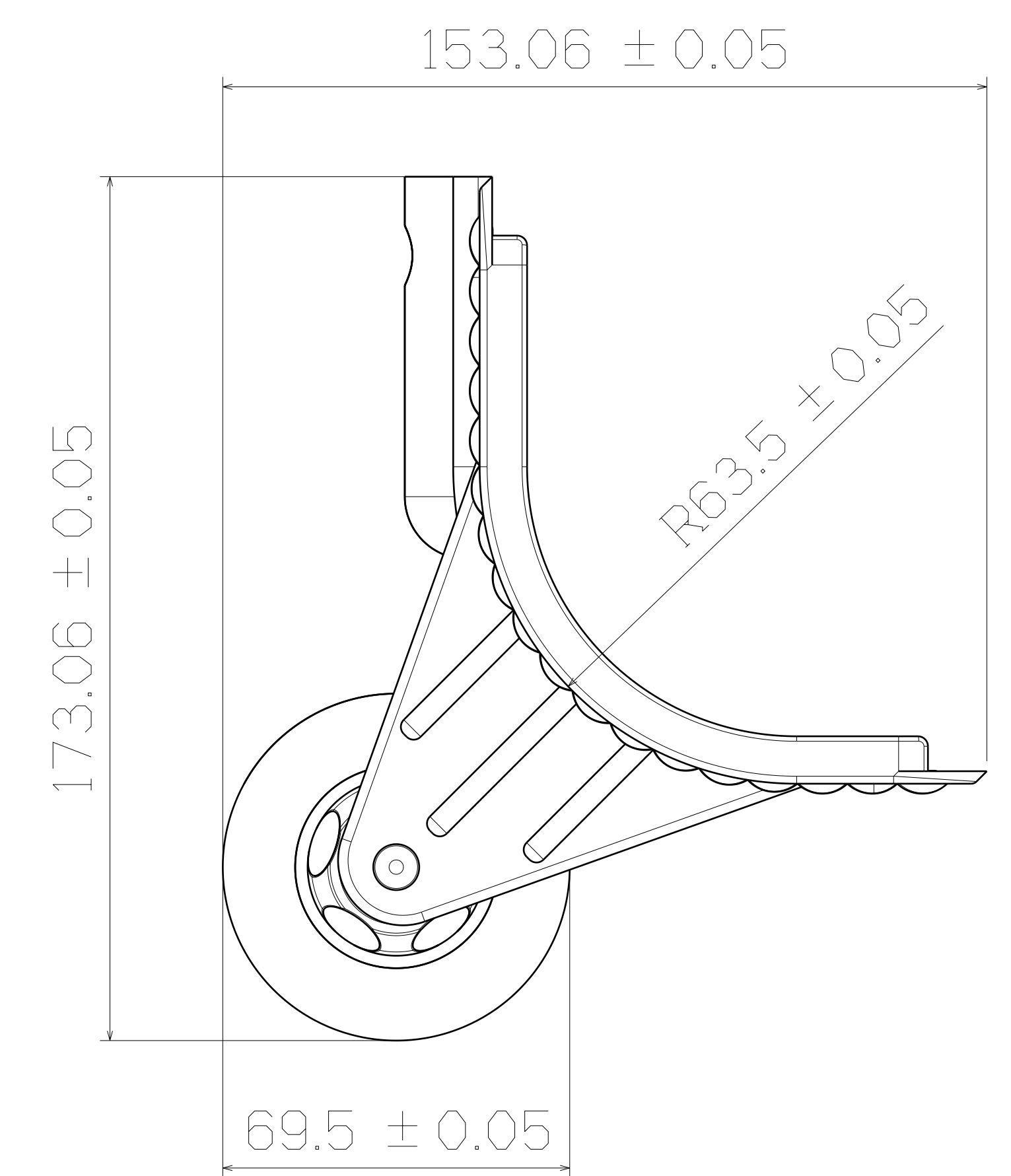


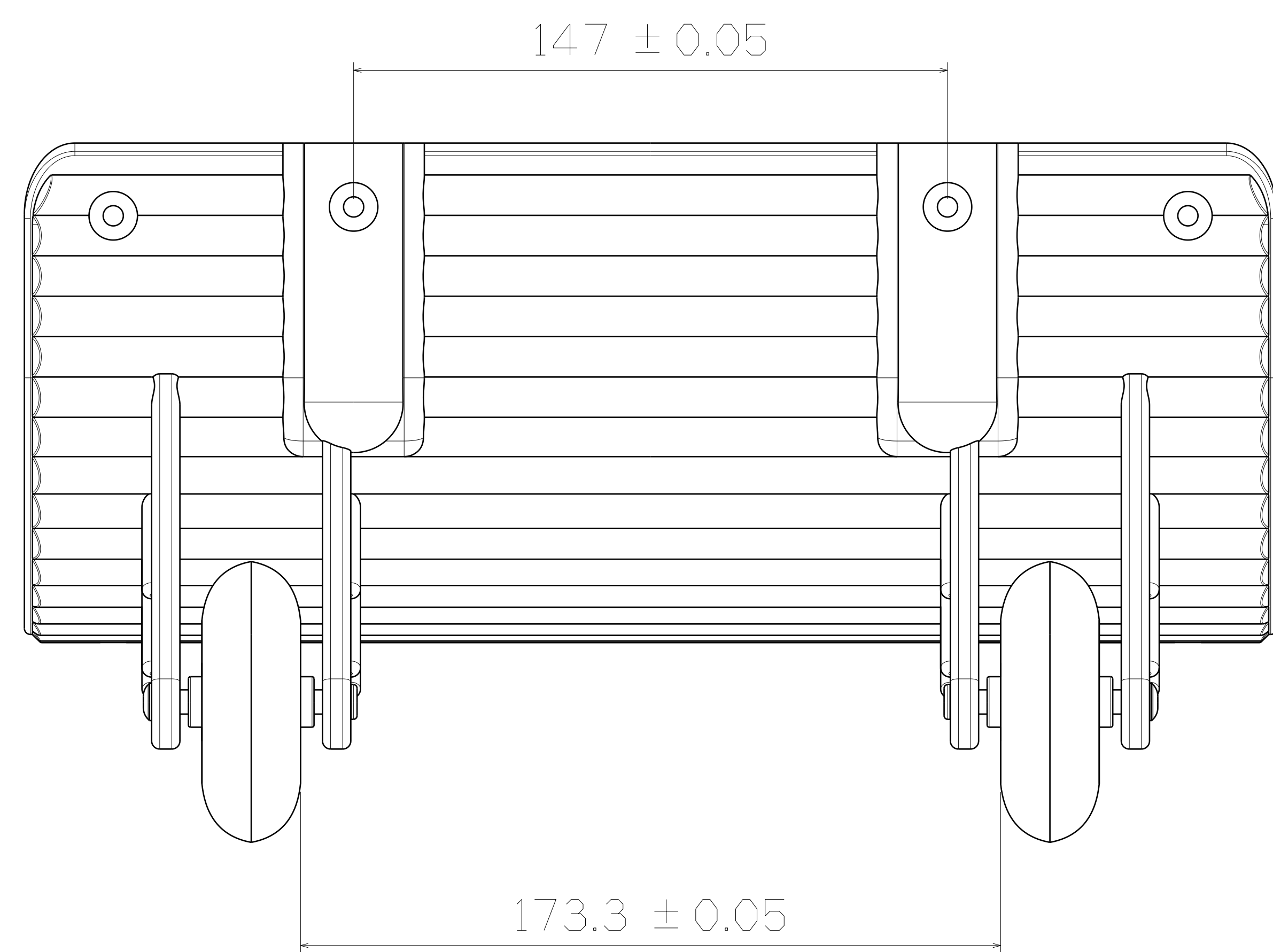
Top View



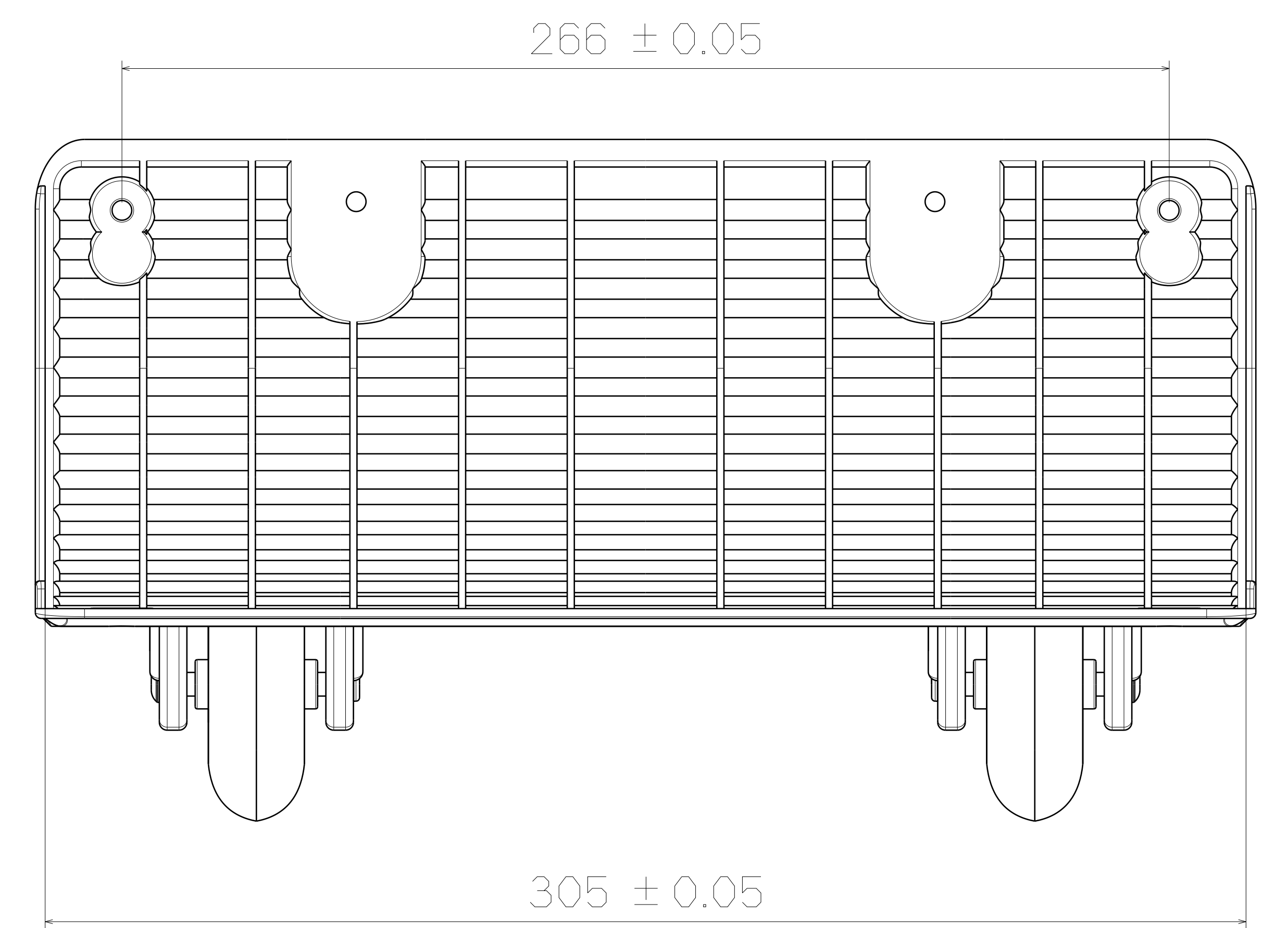
3D View



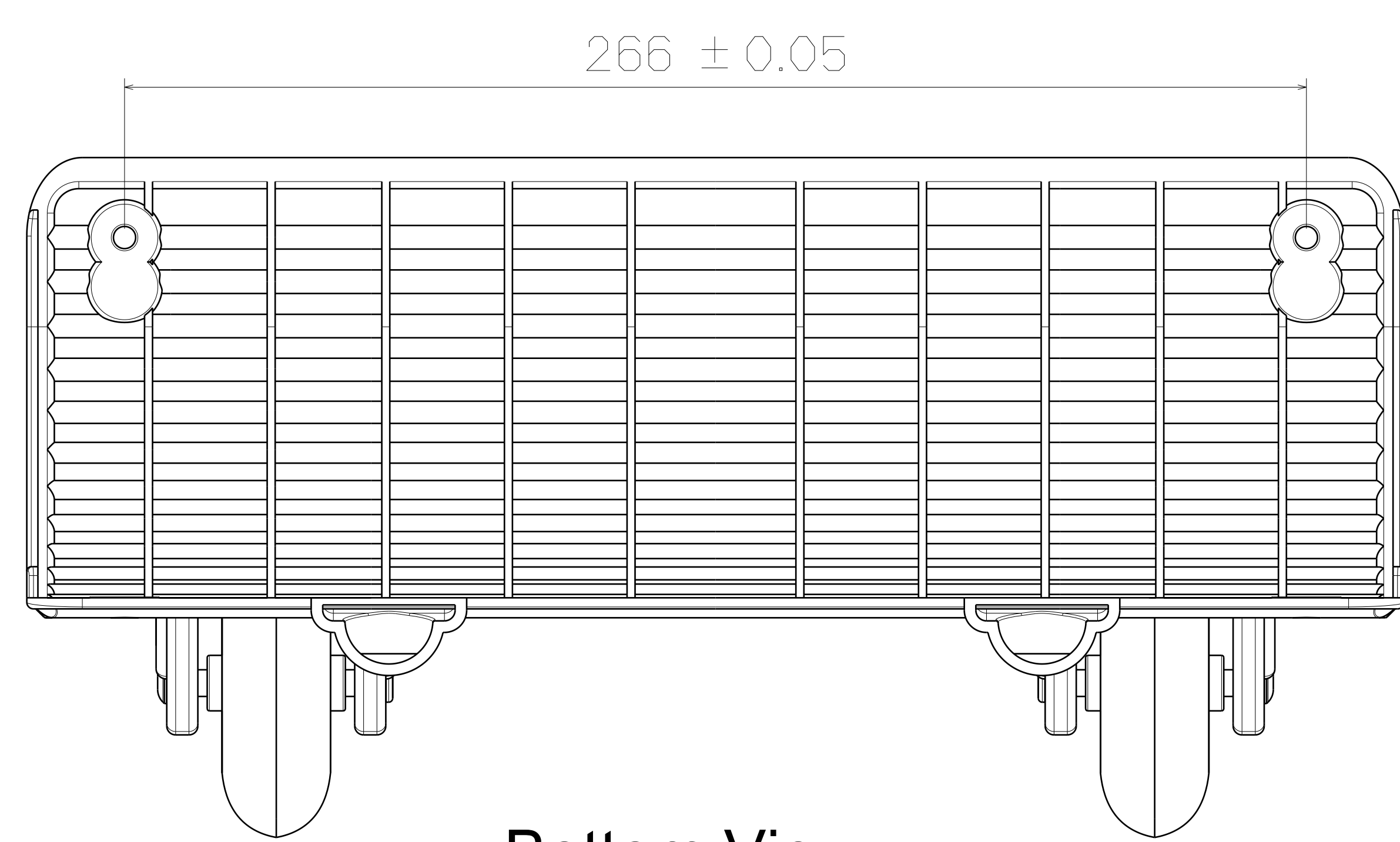
Right View



SF164-1



Back View



Bottom View



<small>This drawing is our property. It can't be reproduced or communicated without our written agreement.</small>			
DRAWING TITLE		Bottom Wheel	
DRAWN BY	DATE	SIZE	DRAWING NUMBER
BRIAN CHEN	2000/5/6	A0	SF164-1
CHECKED BY	DATE	SCALE	REV
JIMMY CHEN	2000/5/8	1:1	X
DESIGNED BY	DATE	WHEEL SEAT: PP	WHEEL: NYLON-PP/PC
RD	2000/5	WHEEL: NYLON-PP/PC	BALLBEARING
SCALE		SHEET	1/1