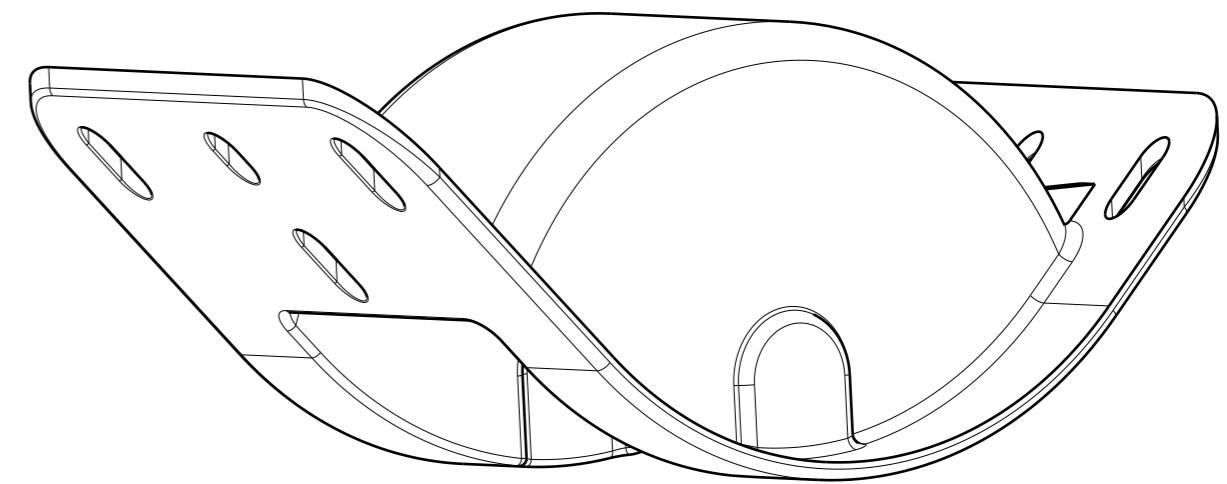
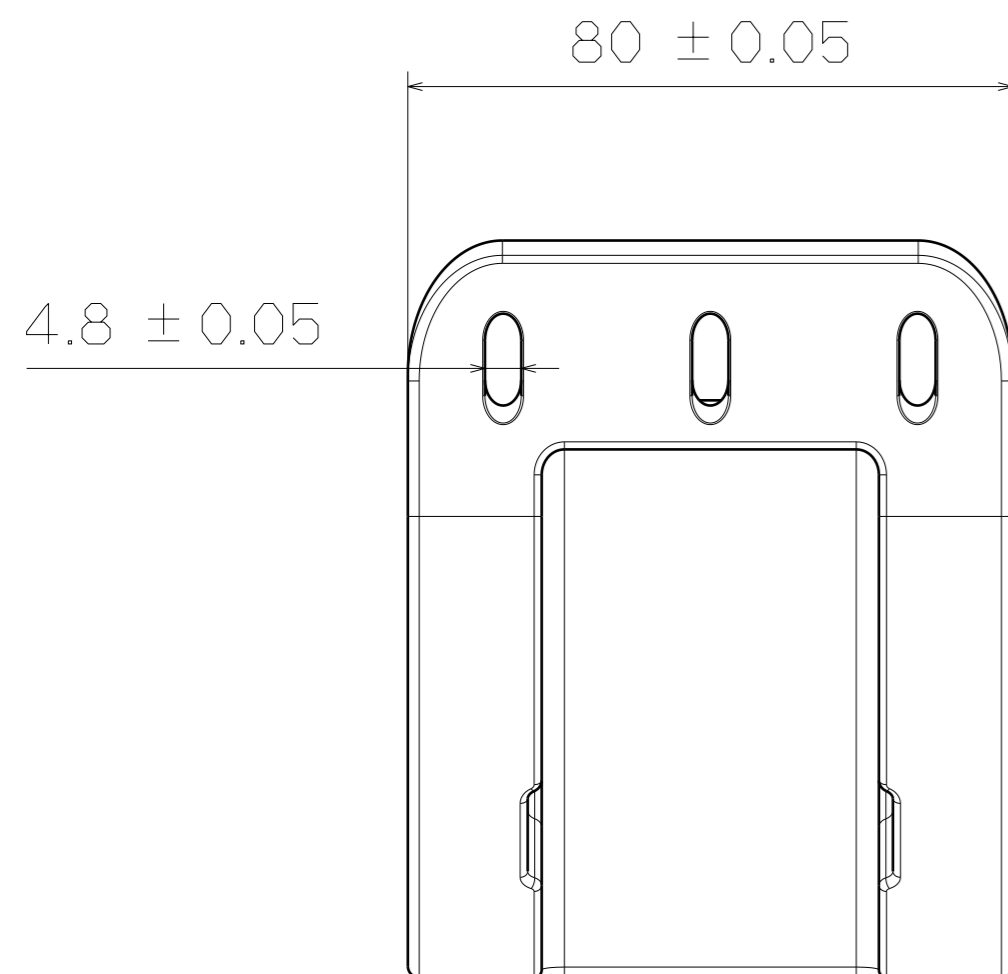


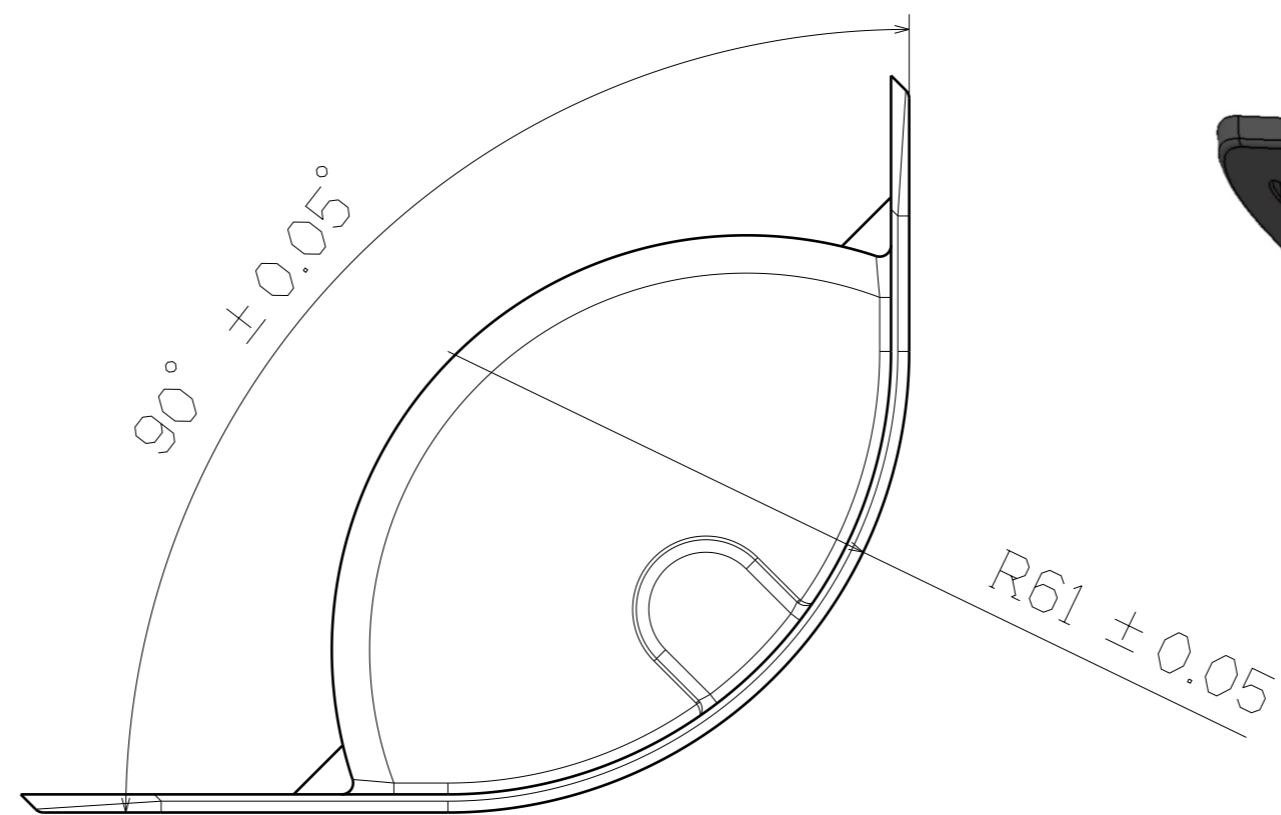
Top View



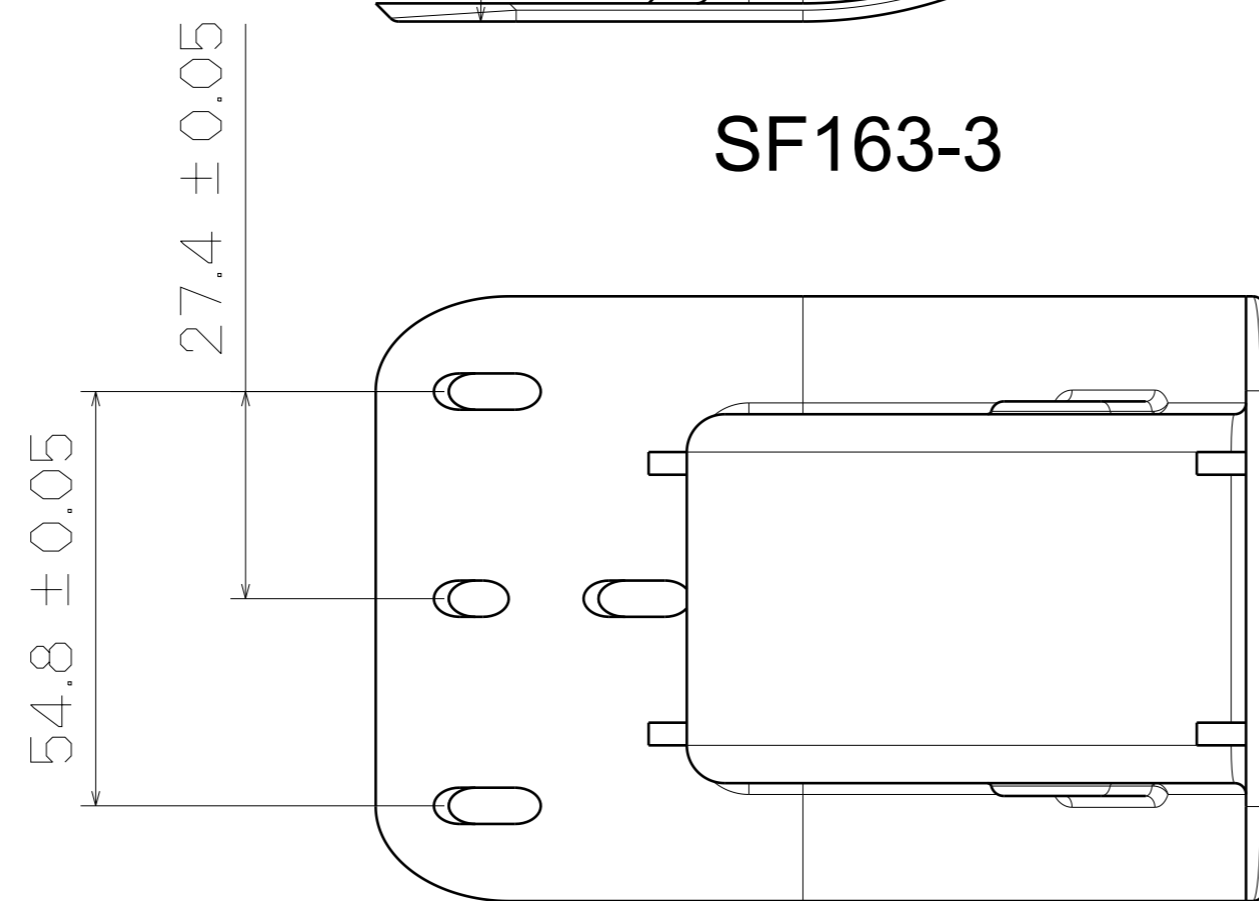
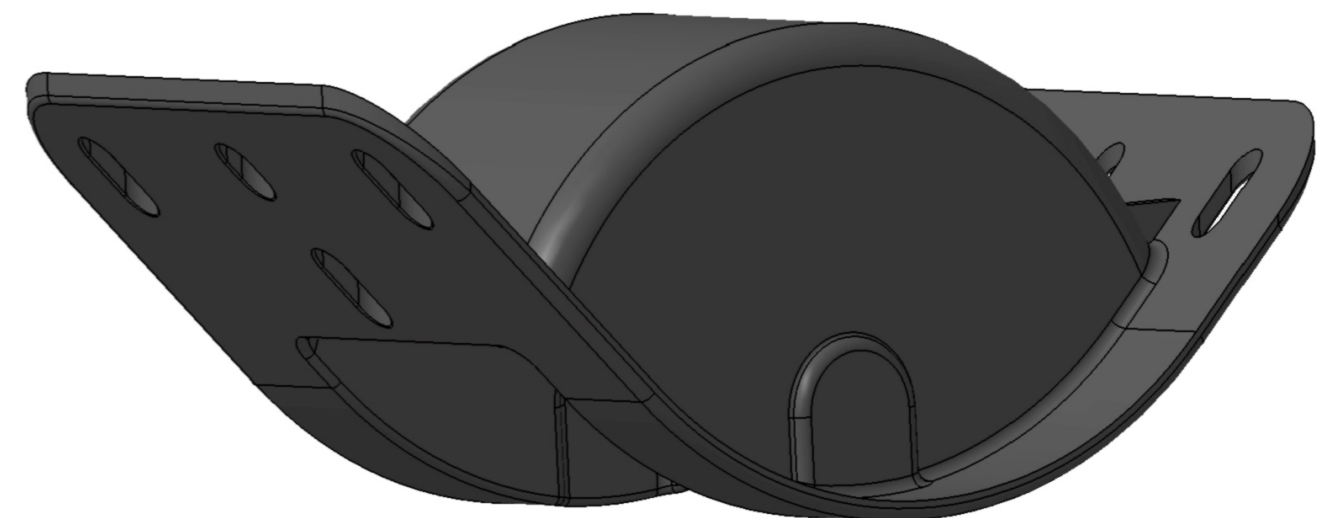
3D View




Right View



SF163-3



Bottom View

This drawing is our property. It can't be reproduced or communicated without our written agreement.		 SHIN FANG PLASTIC INDUSTRIAL CO., LTD.			
DRAWN BY		DATE		DRAWING TITLE	
BRIAN CHEN		2000/3/18		Single hole inner cover	
CHECKED BY		DATE		SIZE	DRAWING NUMBER
JIMMY CHEN		2000/3/20		A2	SF163-3
DESIGNED BY		DATE		SCALE	MATERIAL
RD		2000/3		1:1	PP
				SHEET	1/1
				REV	X