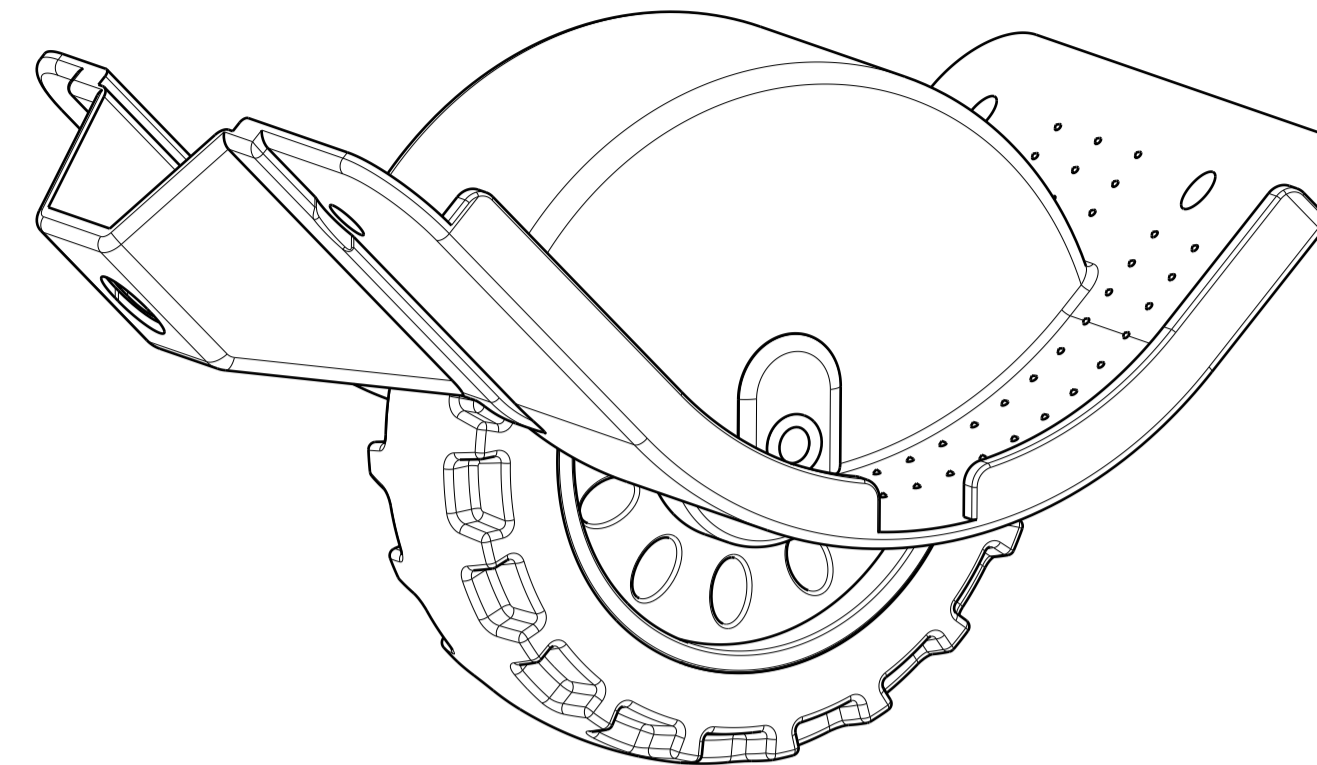
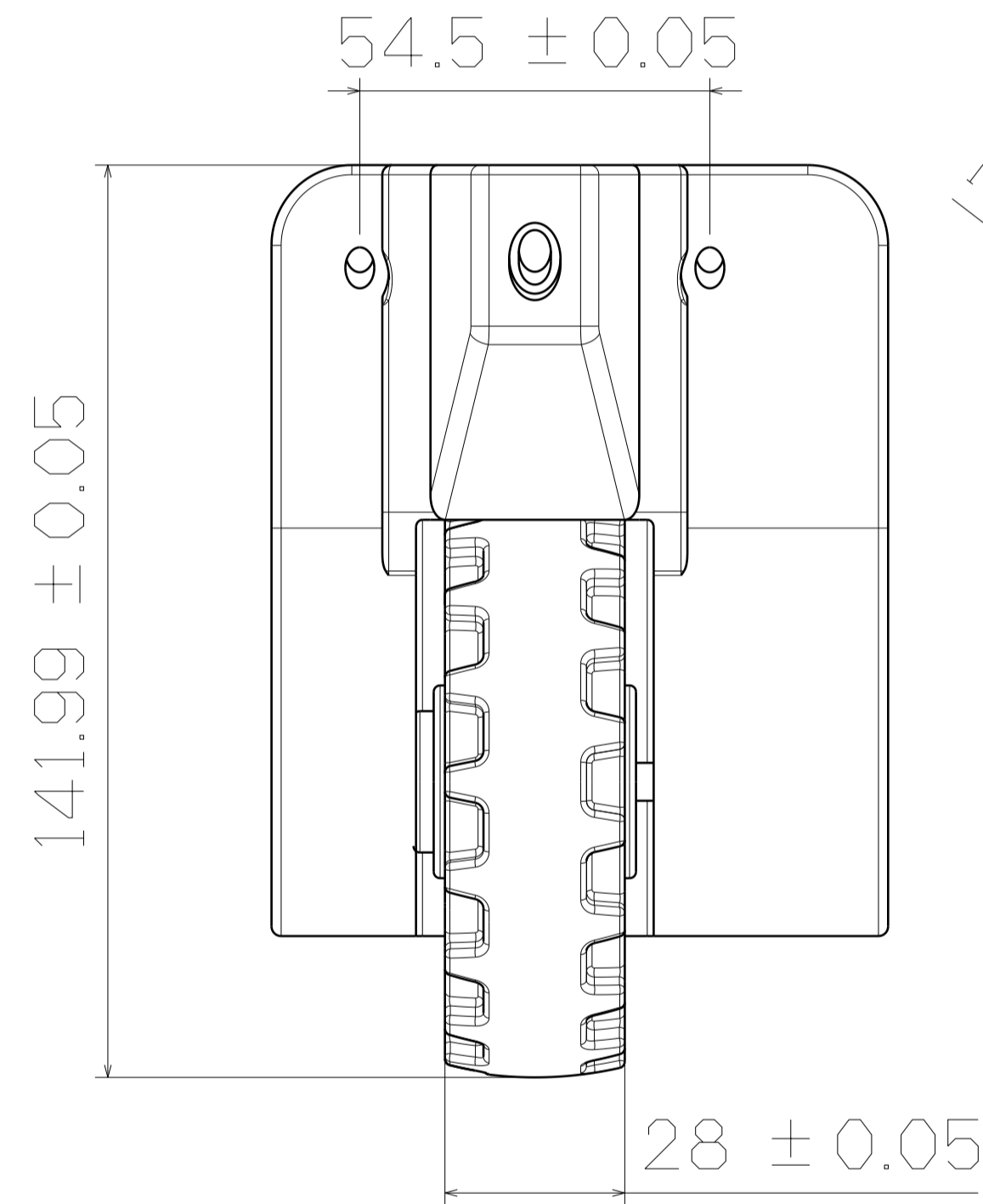
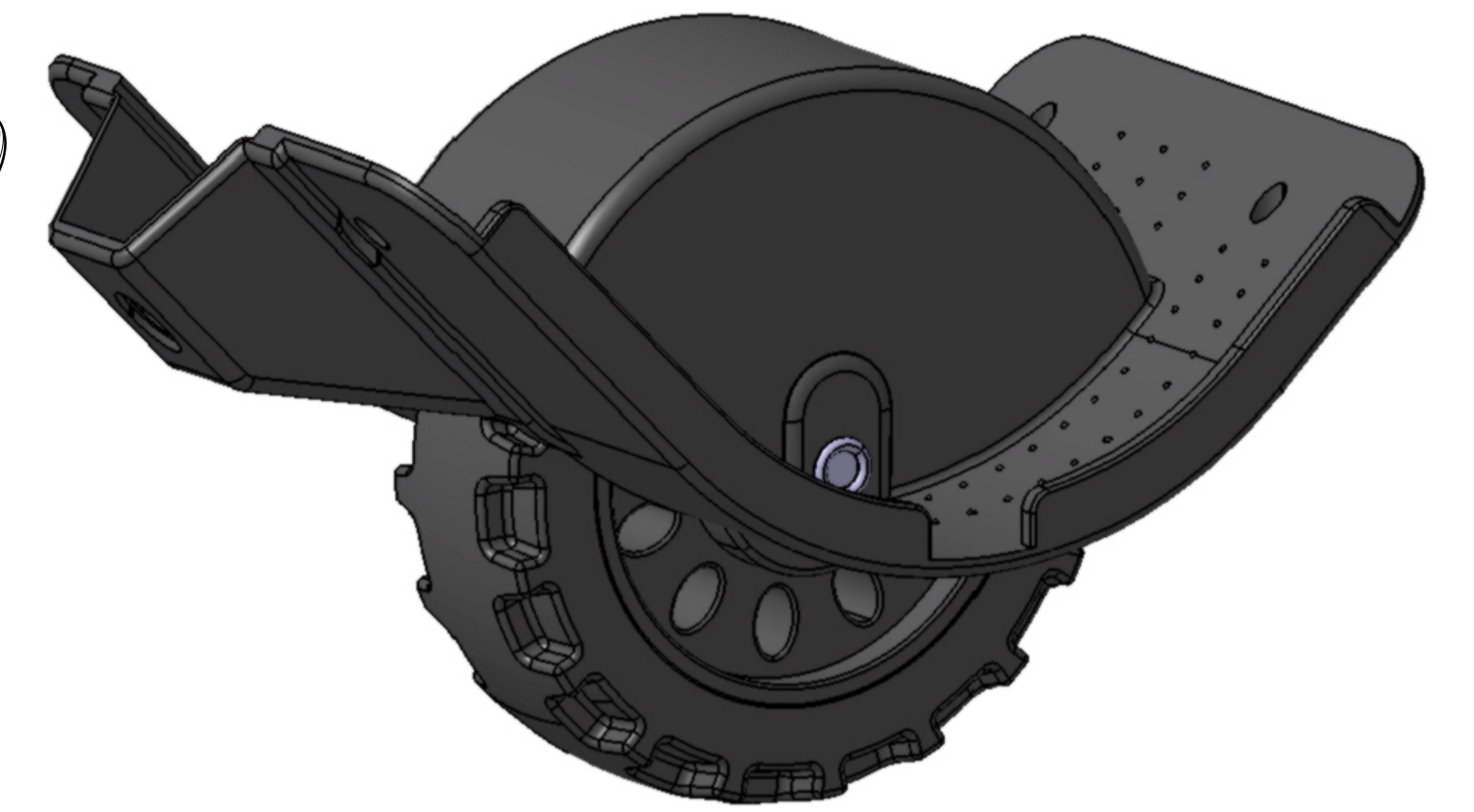


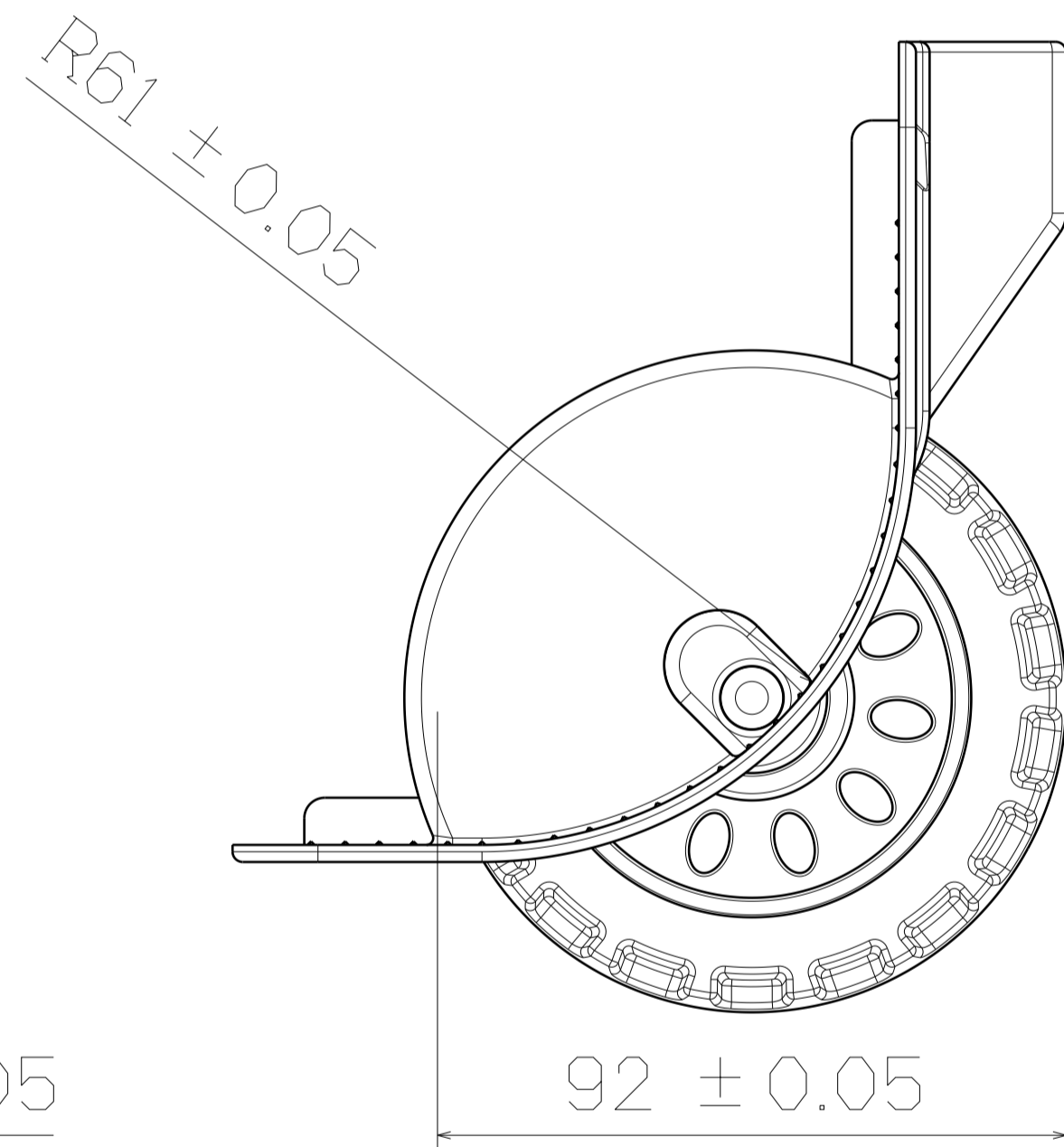
Top View



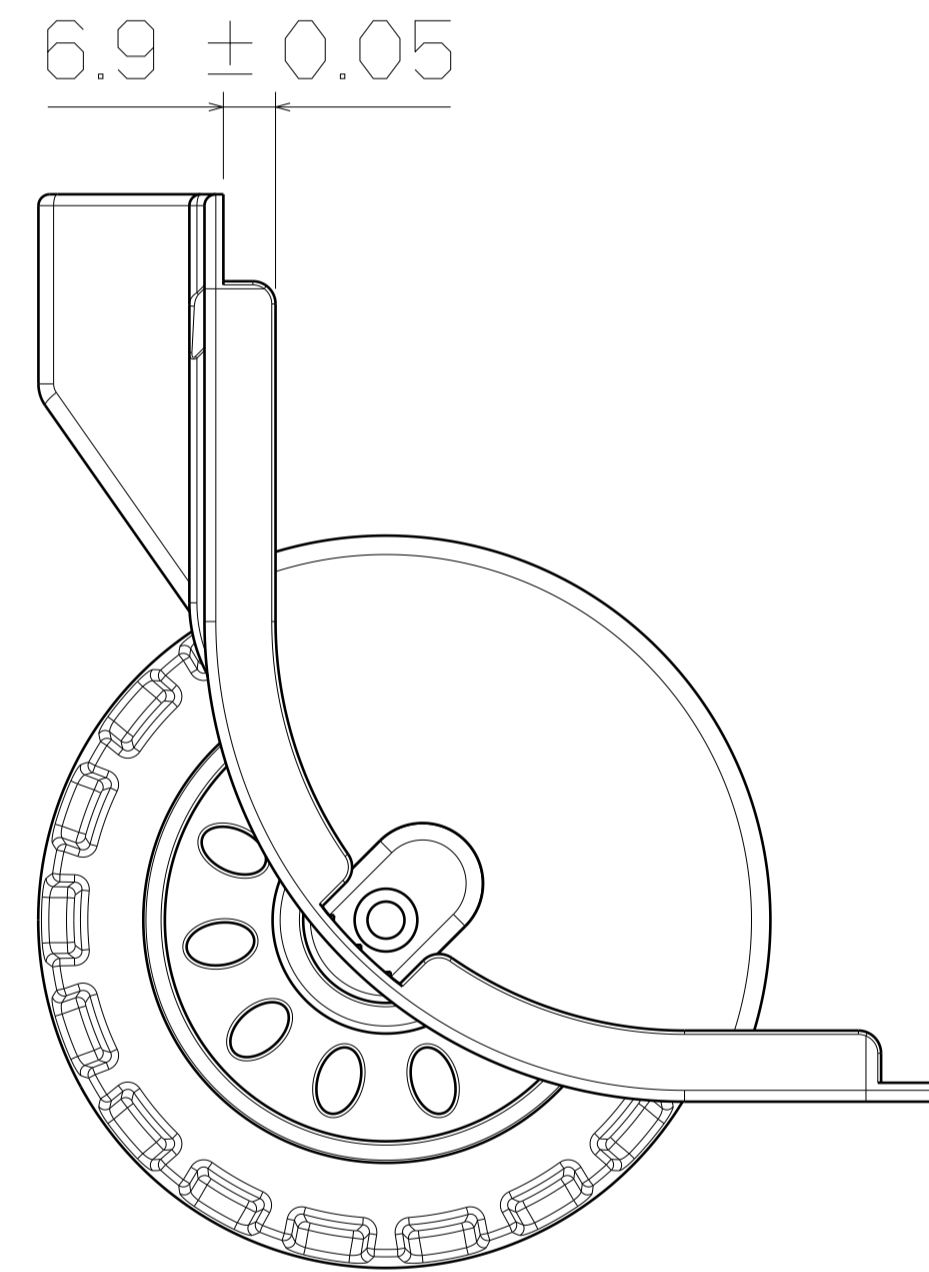
3D View



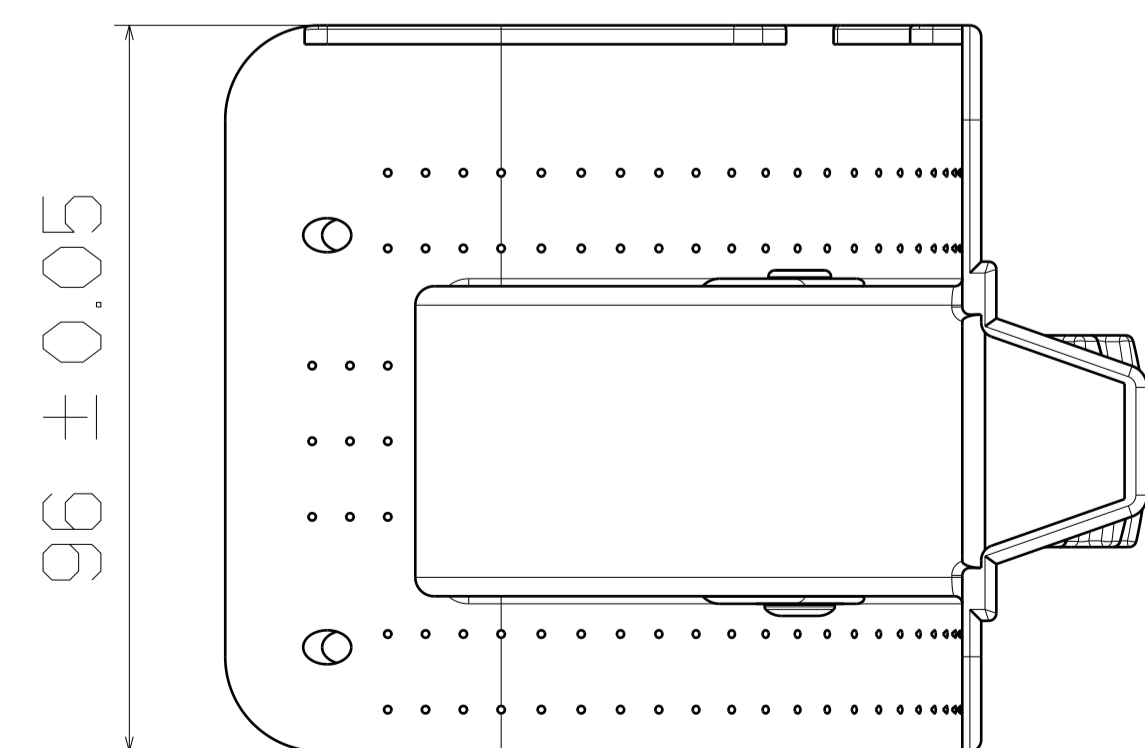
Right View



SF163-2



Back View



Bottom View

This drawing is our property. It can't be reproduced or communicated without our written agreement.					
DRAWING TITLE		Side wheel with protective rim			
DRAWN BY	DATE	SIZE	DRAWING NUMBER	REV	
BRIAN CHEN	2000/3/8	A1	SF163-2	X	
CHECKED BY	DATE	SCALE	1:1	WHEEL SEAT: PP WHEEL: NYLON+PVC+ BALL BEARING	SHEET
JIMMY CHEN	2000/3/9				1/1
DESIGNED BY	DATE				
RD	2000/3				