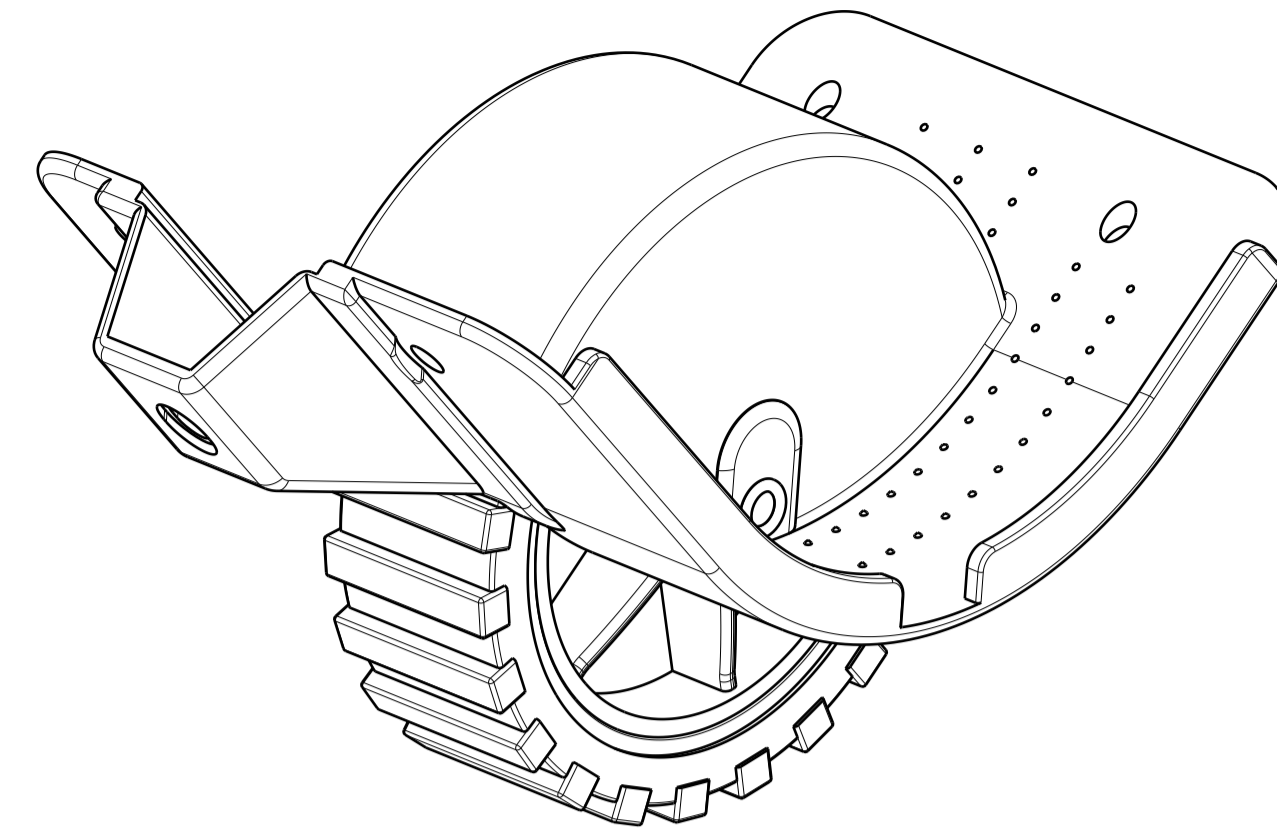
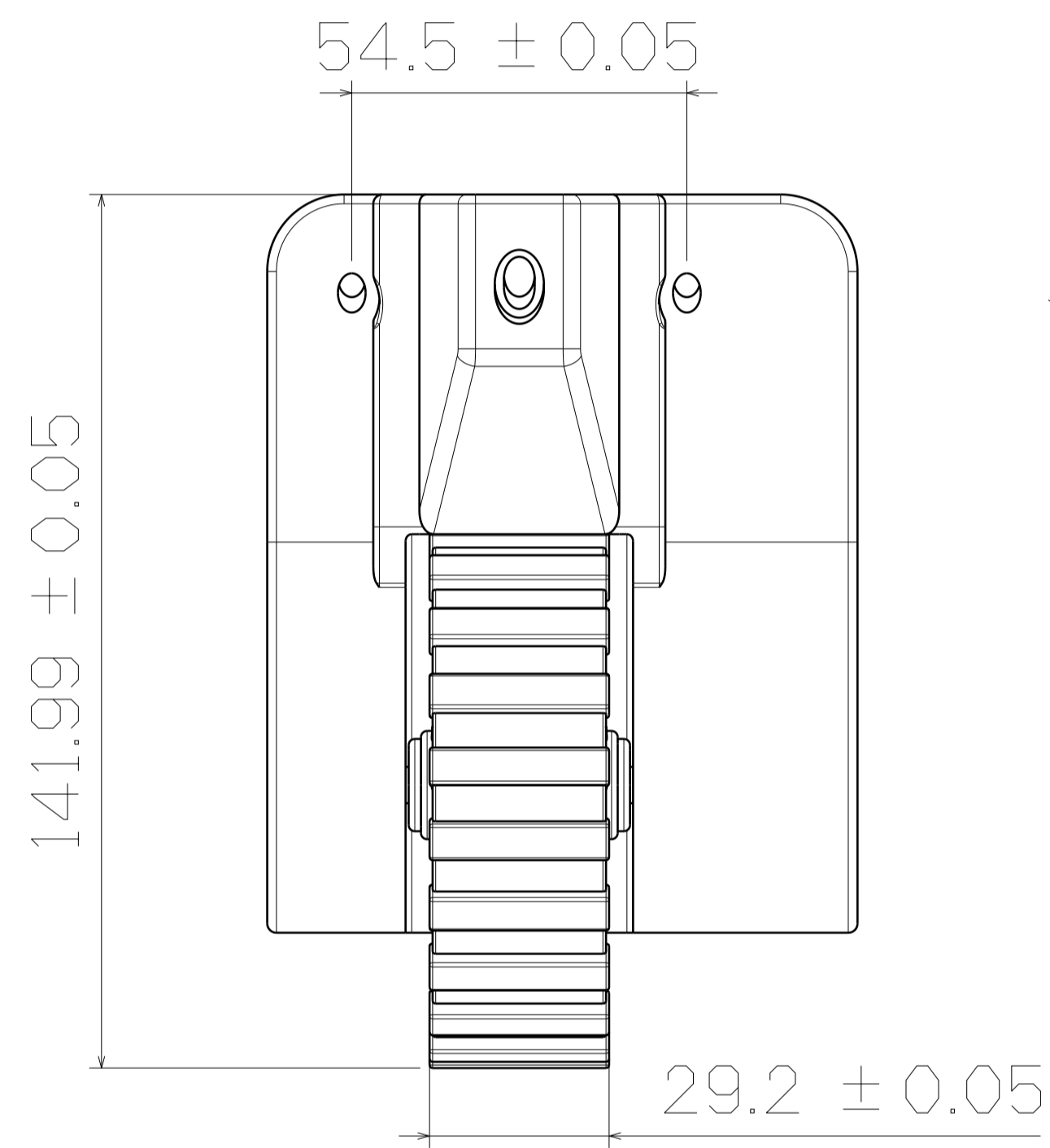
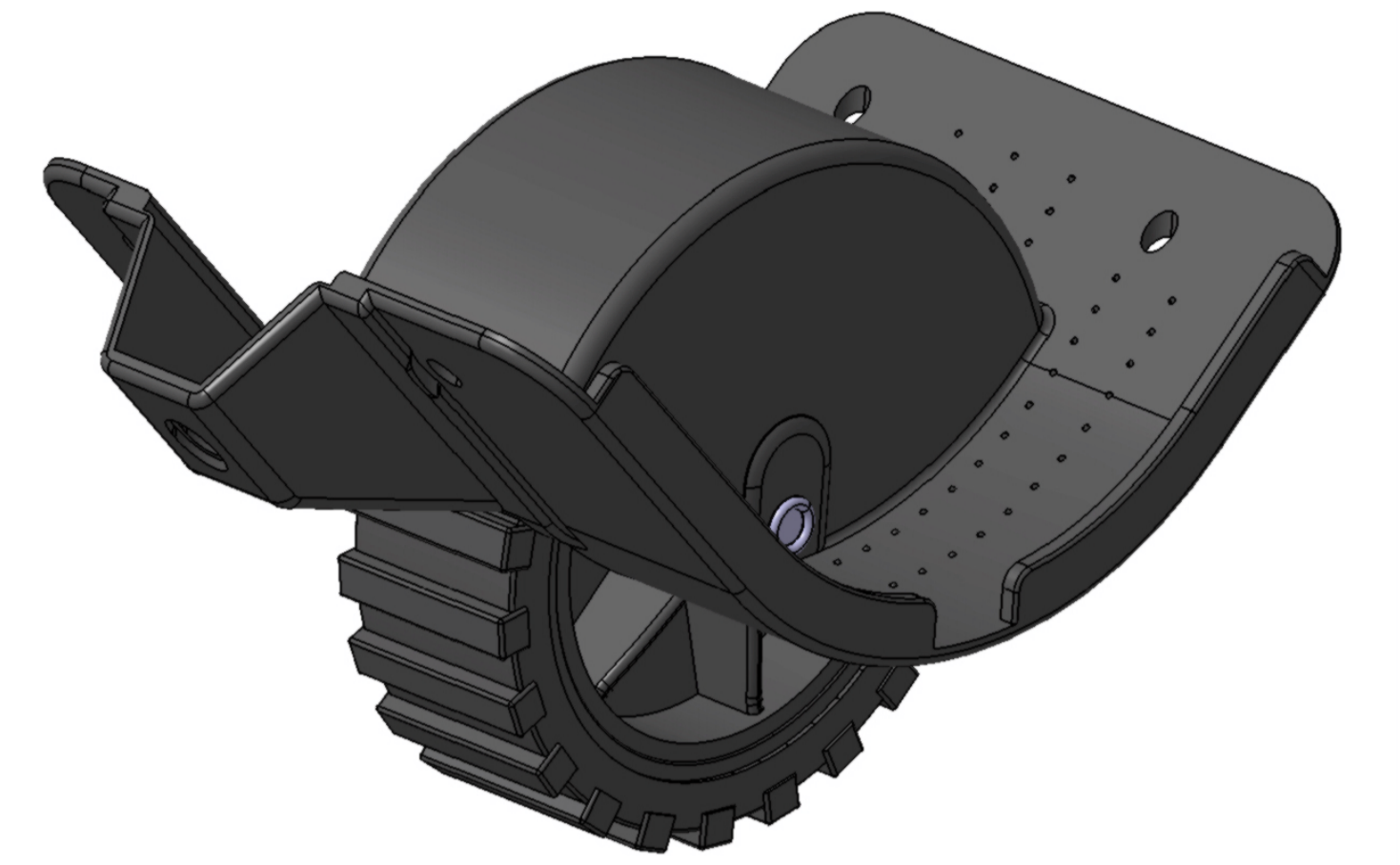


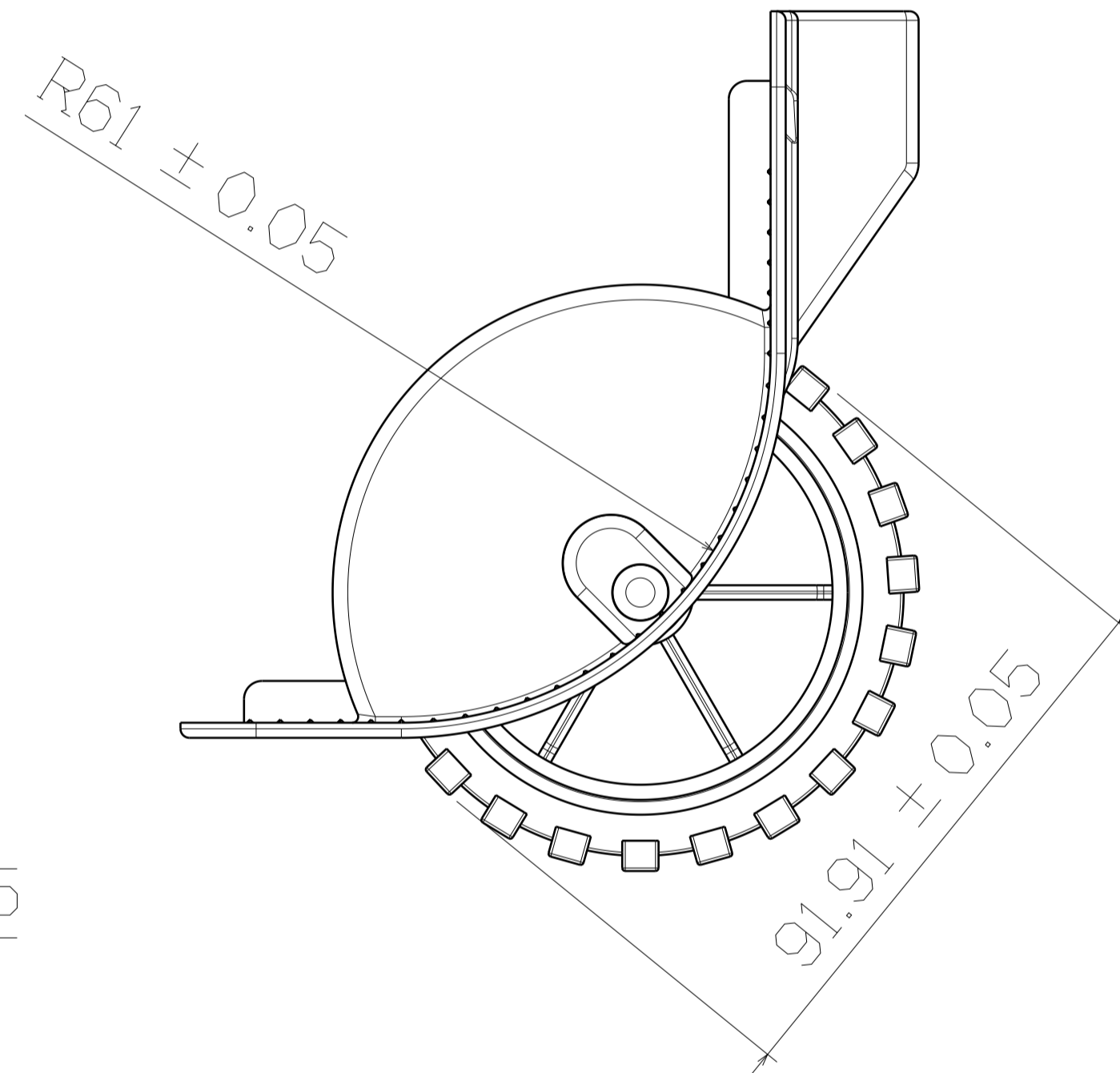
Top View



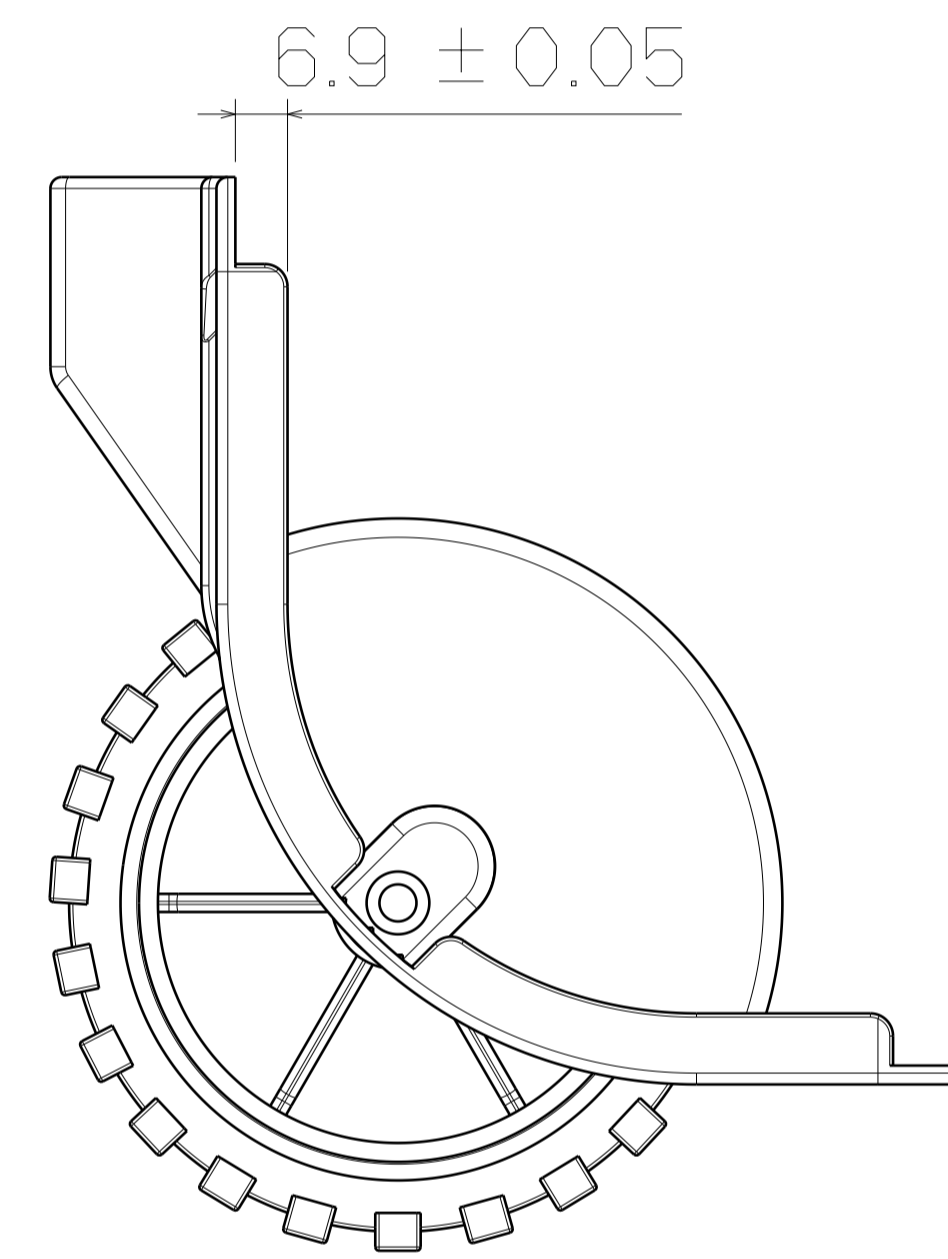
3D View



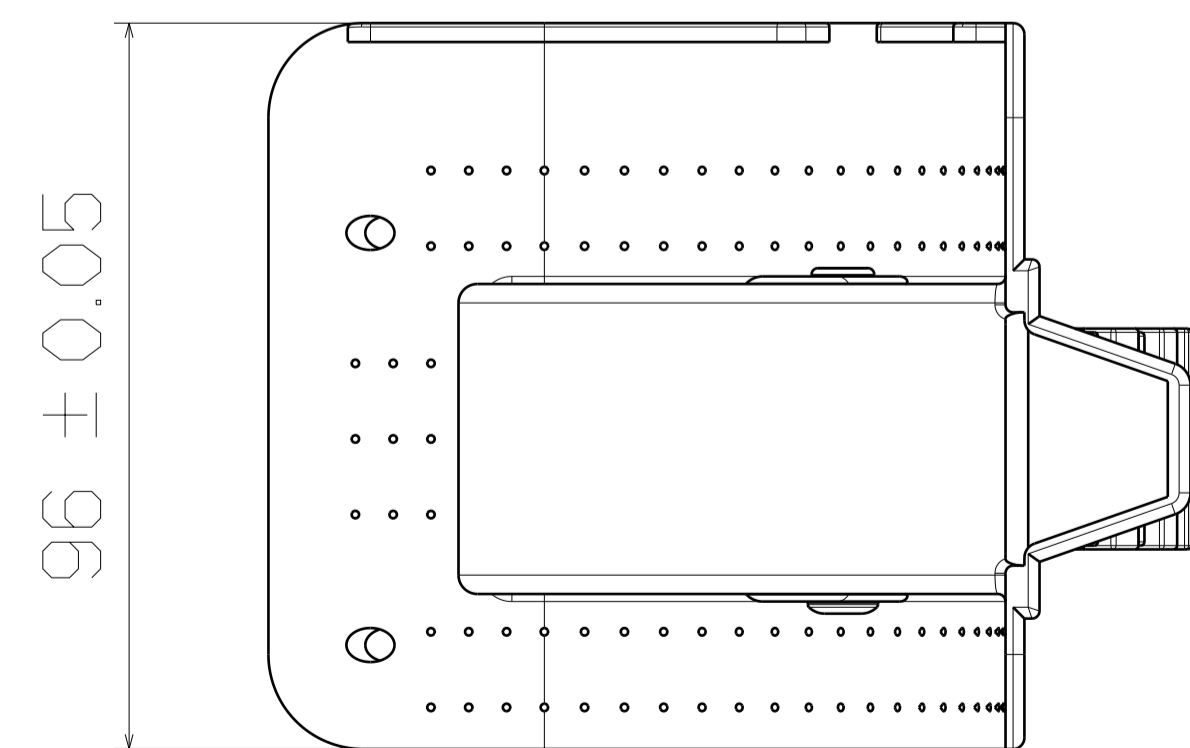
Right View




SF163-1



Back View



Bottom View

This drawing is our property. It can't be reproduced or communicated without our written agreement.					
DRAWN BY		DATE		DRAWING TITLE	
BRIAN CHEN		2000/3/3		Side wheel with protective rim	
CHECKED BY		DATE		SIZE	DRAWING NUMBER
JIMMY CHEN		2000/3/5		A1	SF163-1
DESIGNED BY		DATE		SCALE	1:1
RD		2000/3		WHEEL SEAT: PP WHEEL: NYLON+PVC	SHEET 1/1