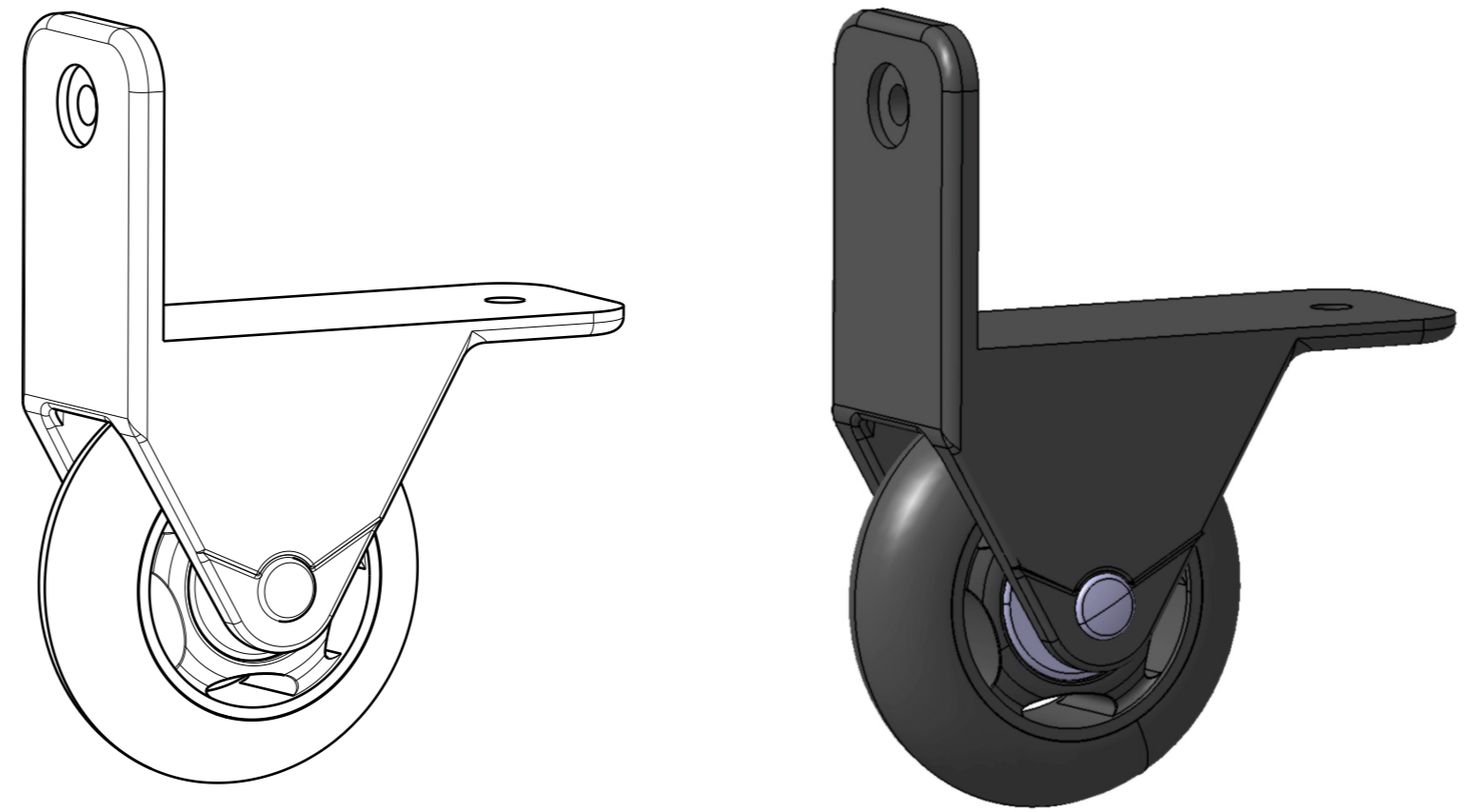
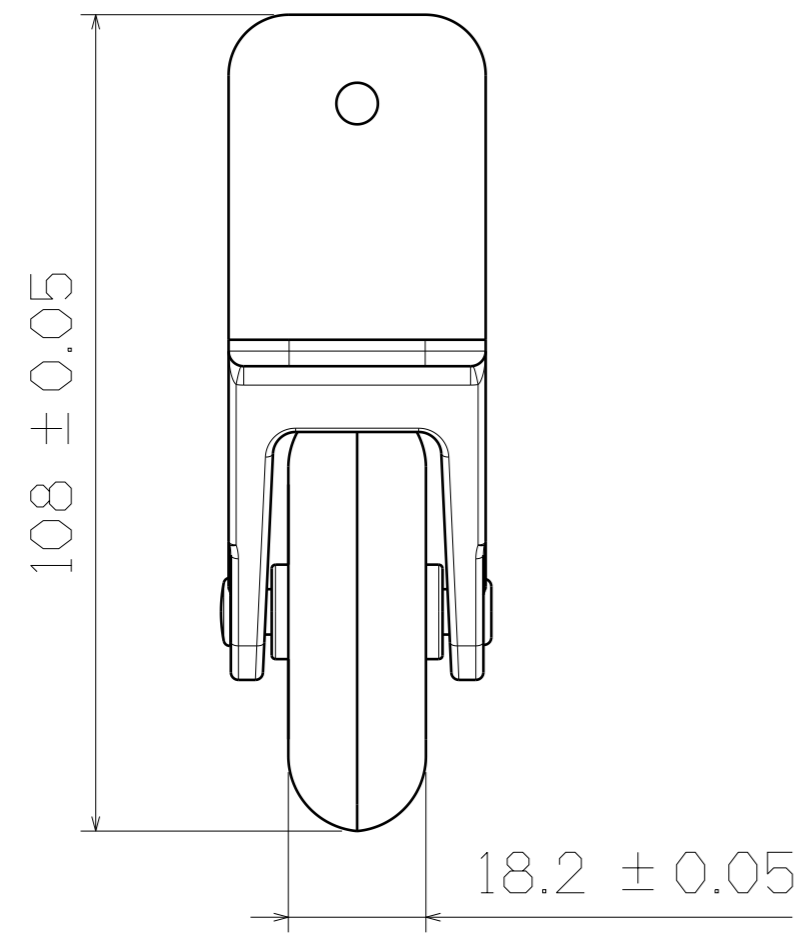


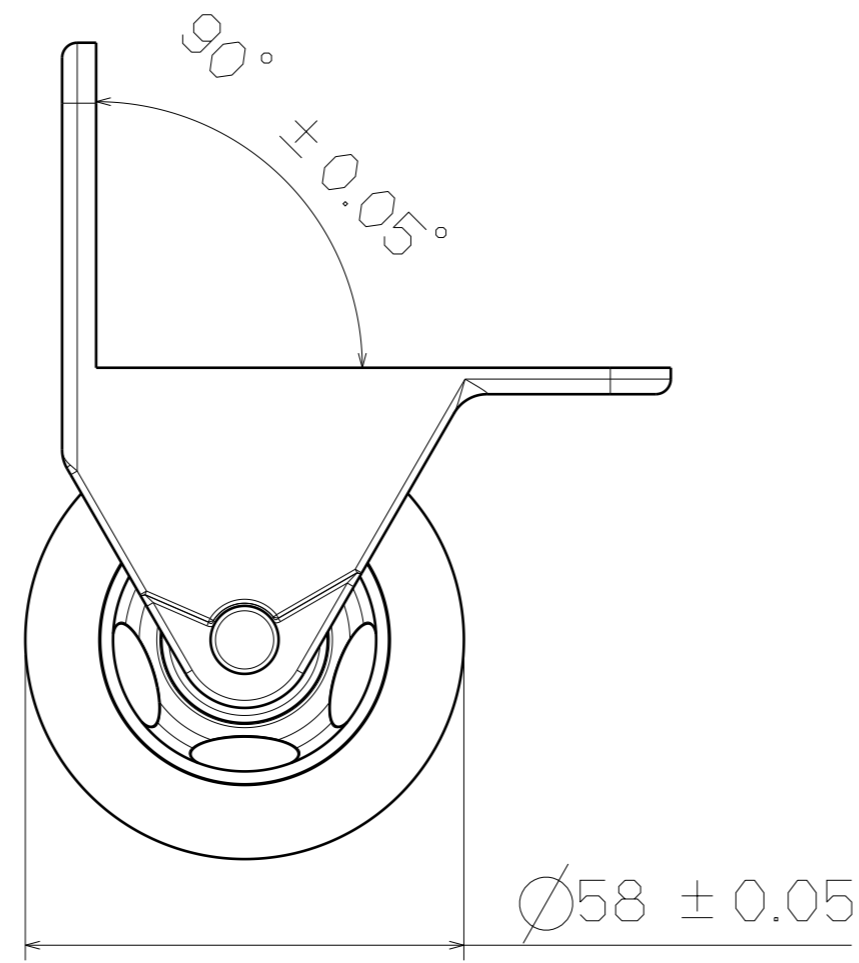
Top View



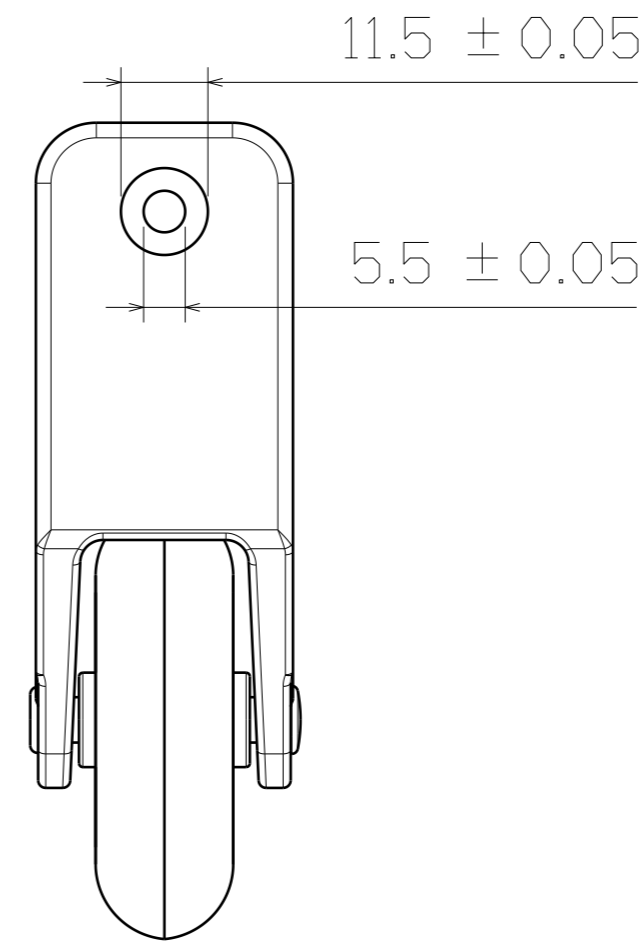
3D View



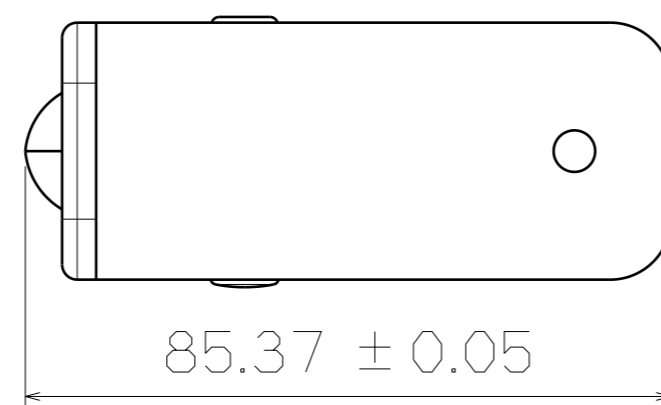
Right View




SF162



Left View



Bottom View

|   |  |   |                |   |
|---|--|---|----------------|---|
| This drawing is our property. It can't be reproduced or communicated without our written agreement. |  |  <b>SHIN FANG PLASTIC INDUSTRIAL CO., LTD.</b> |                |   |
| DRAWN BY  |  | DRAWING TITLE   |                |   |
| BRIAN CHEN  |  | Right angle side wheel  |                |   |
| CHECKED BY  |  | SIZE  | DRAWING NUMBER | REV   |
| JIMMY CHEN  |  | A2  | SF162          | X   |
| DESIGNED BY   |  | SCALE   | 1:1            | WHEEL SEAT: PP<br>WHEEL: NYLON+PVC+<br>BALL BEARING |
| RD  |  | SHEET   | 1/1            |   |