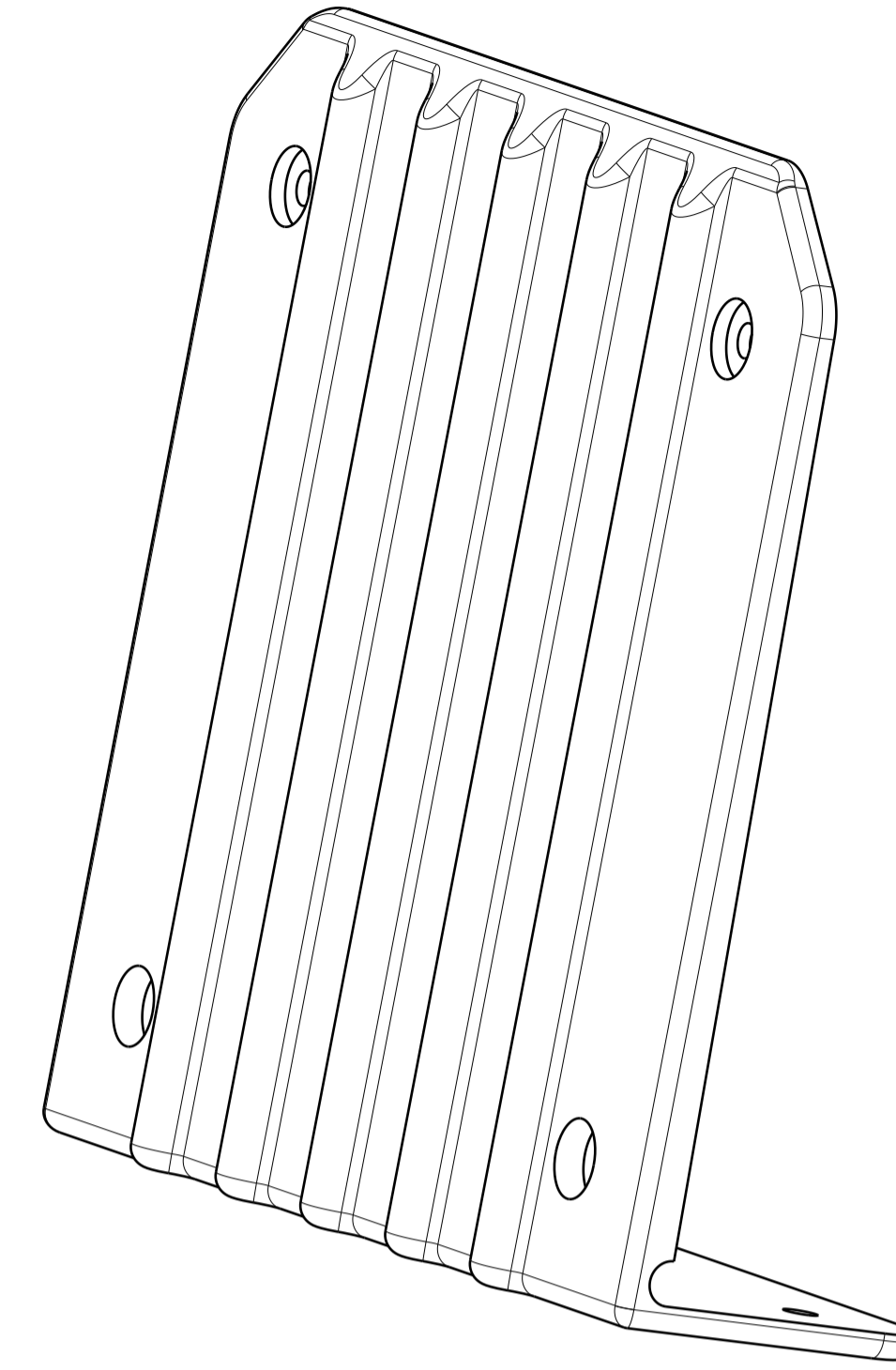
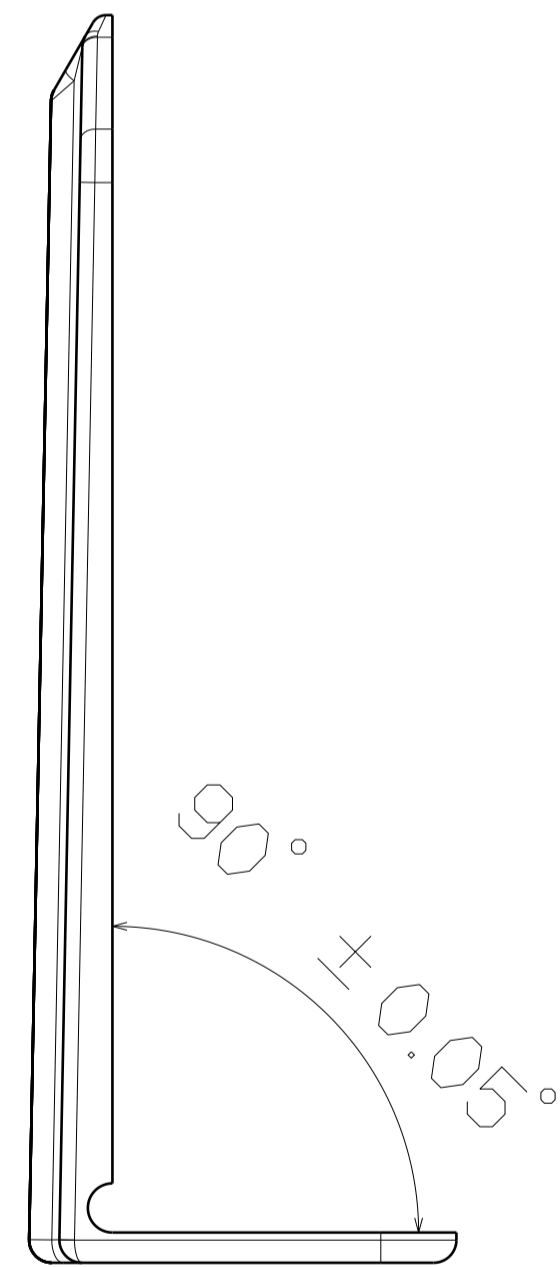
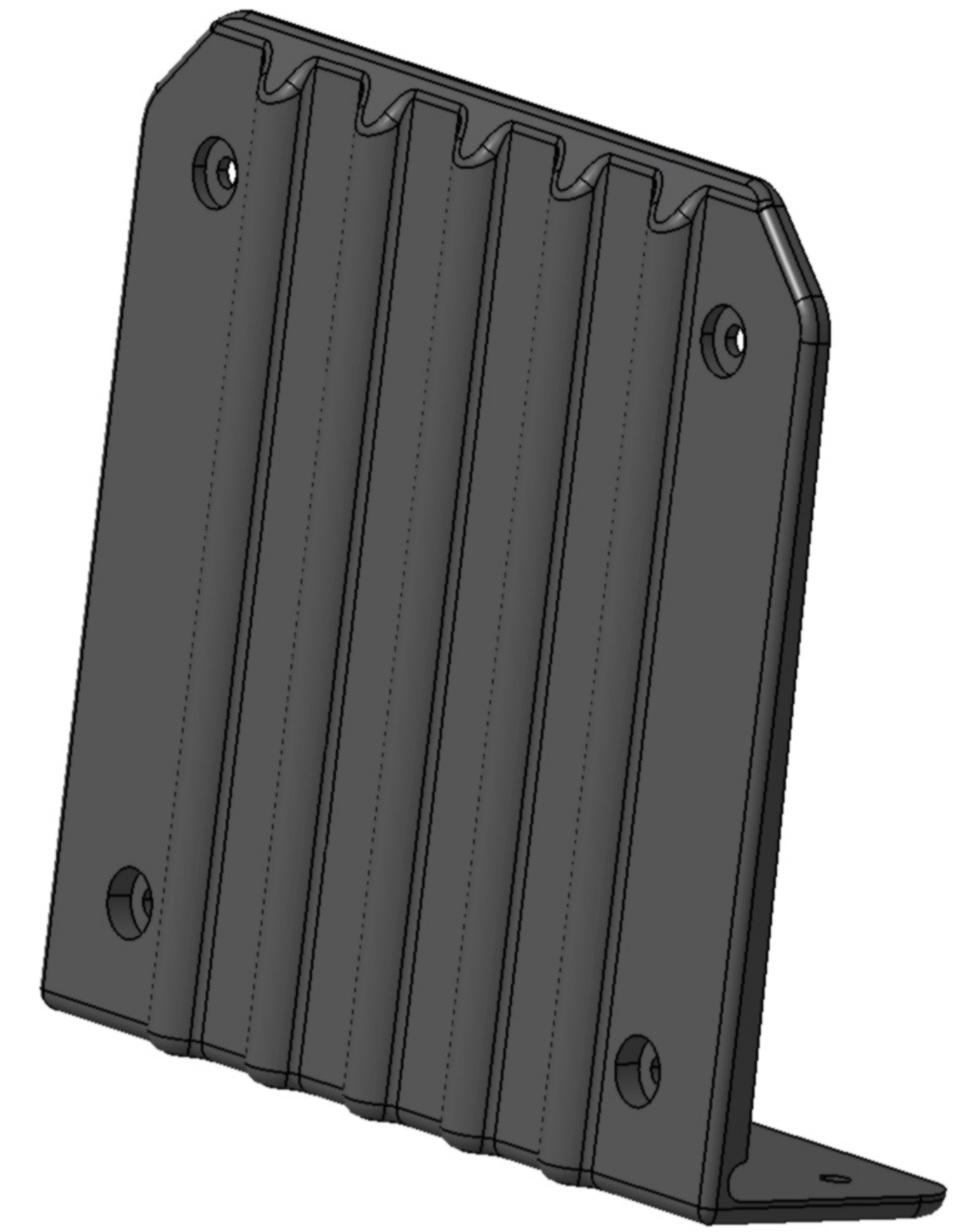


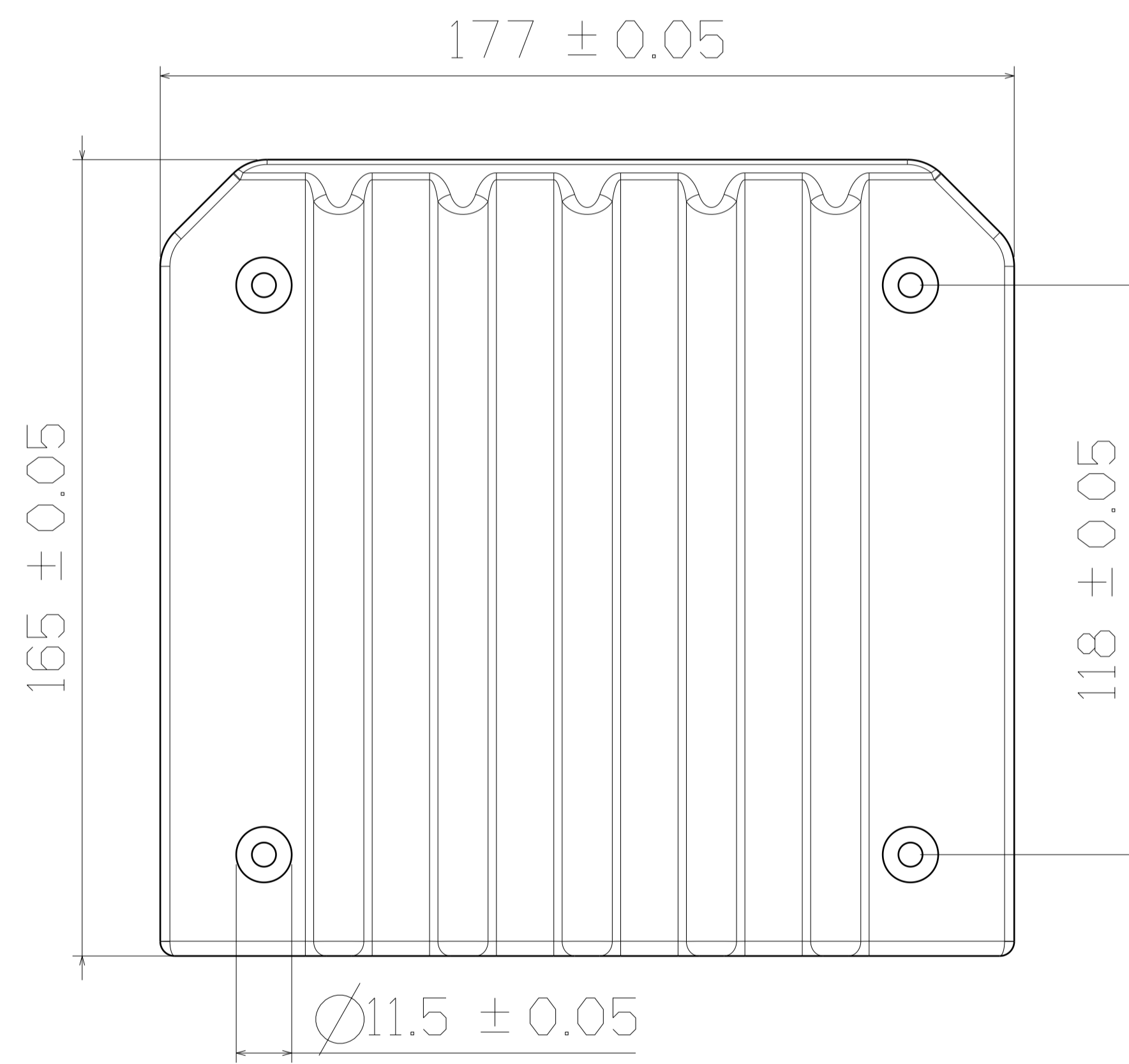
Top View



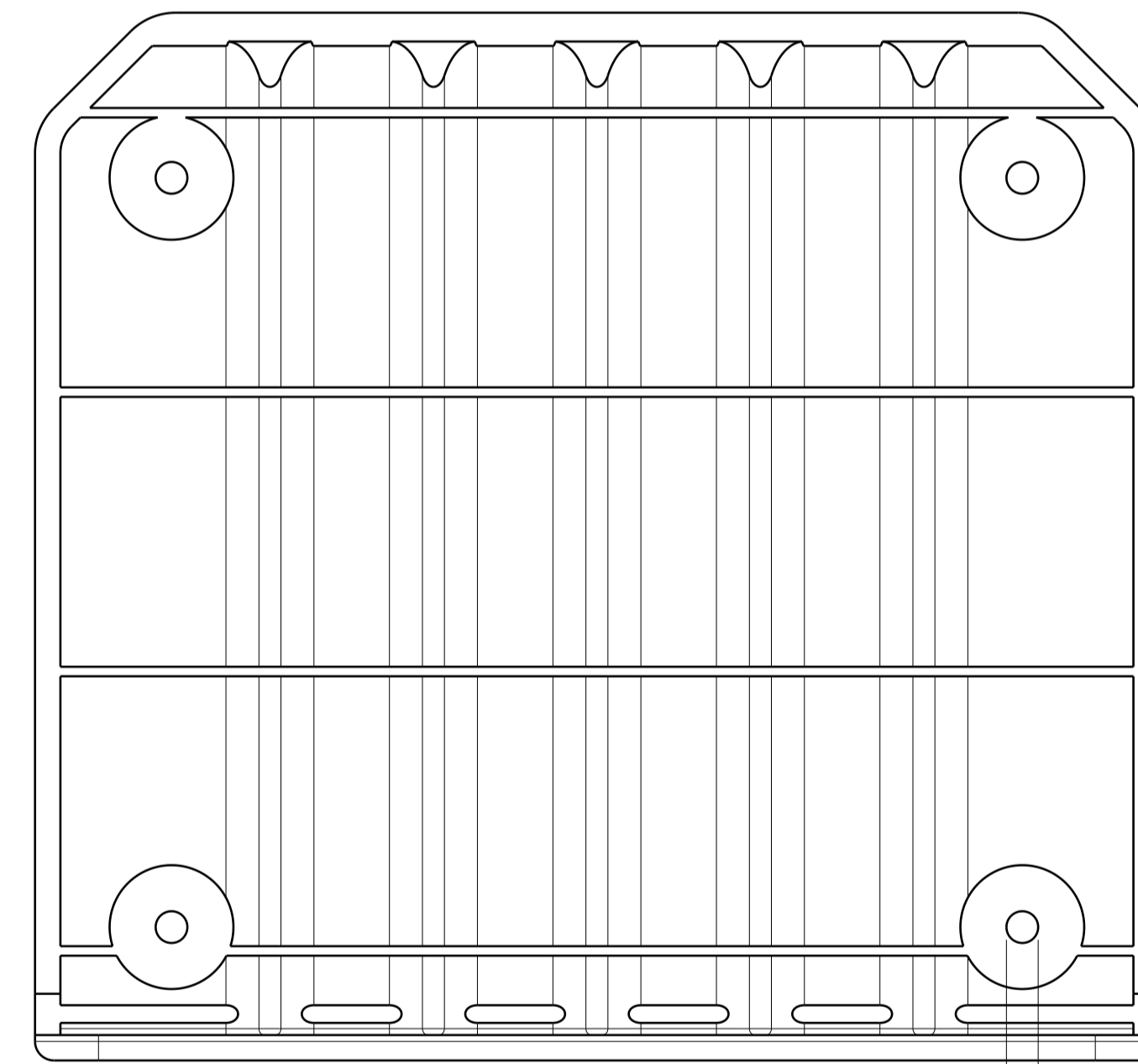
3D View



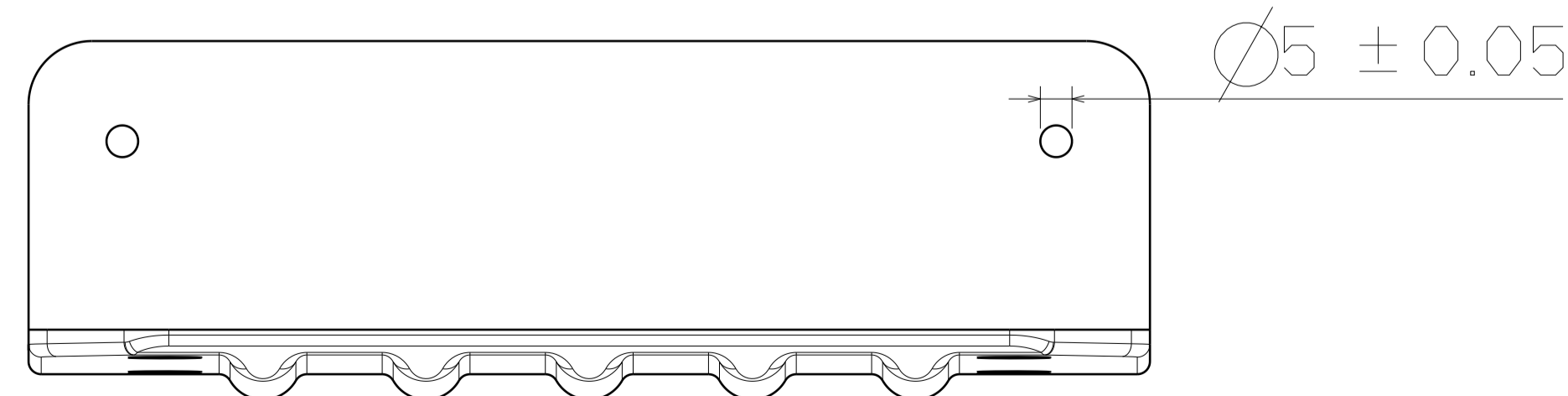
Right View



SF161



Back View



Bottom View

| | | | | | |
|---|--|-----------|--|-------------------|----------------|
| This drawing is our property. It can't be reproduced or communicated without our written agreement. | | | | | |
| DRAWN BY | | DATE | | DRAWING TITLE | |
| BRIAN CHEN | | 1999/12/5 | | L type sole plate | |
| CHECKED BY | | DATE | | SIZE | DRAWING NUMBER |
| JIMMY CHEN | | 1999/12/6 | | A1 | SF161 |
| DESIGNED BY | | DATE | | SCALE | MATERIAL |
| RD | | 1999/12 | | 1:1 | PP |
| | | | | SHEET | 1/1 |