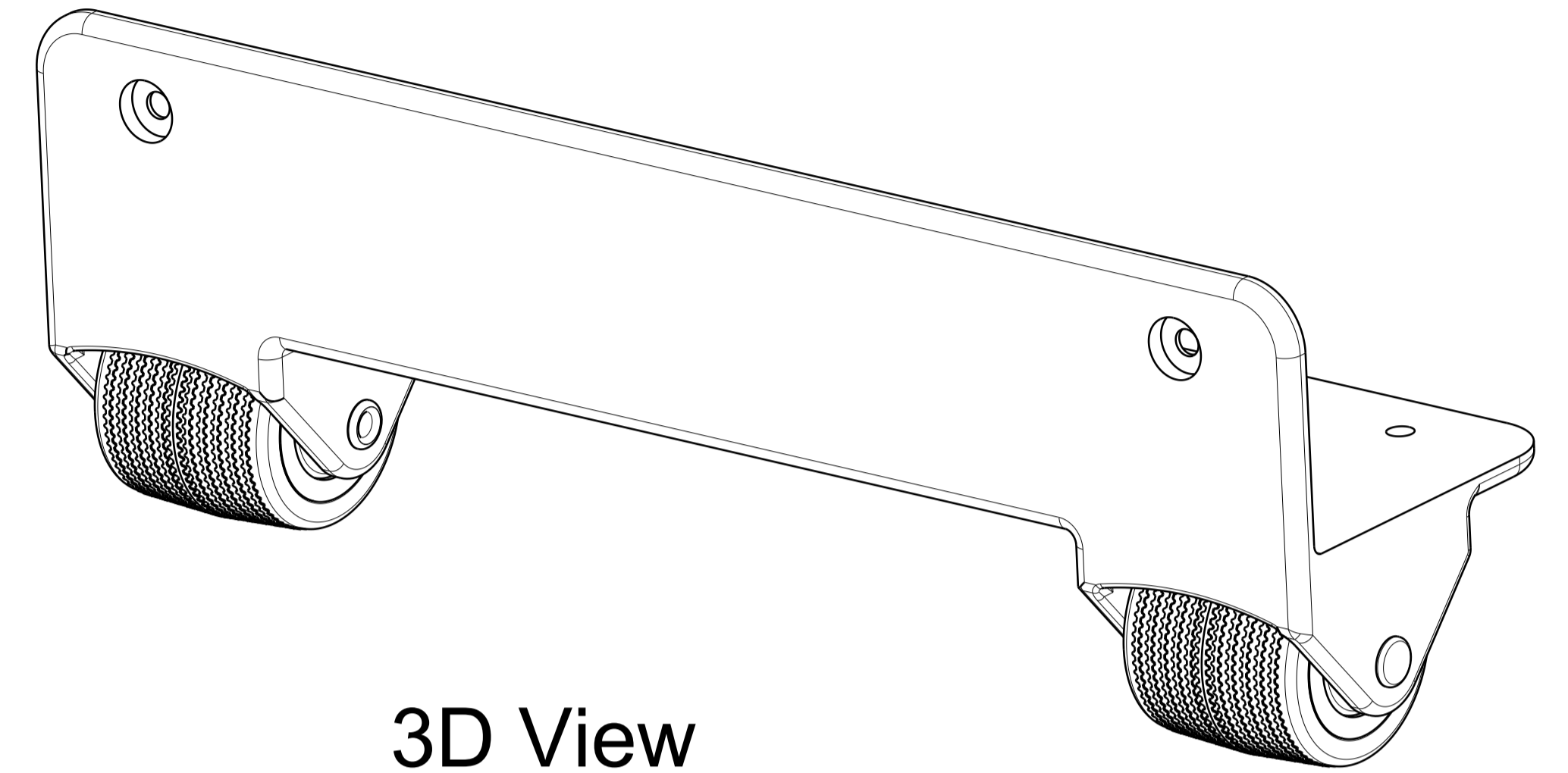
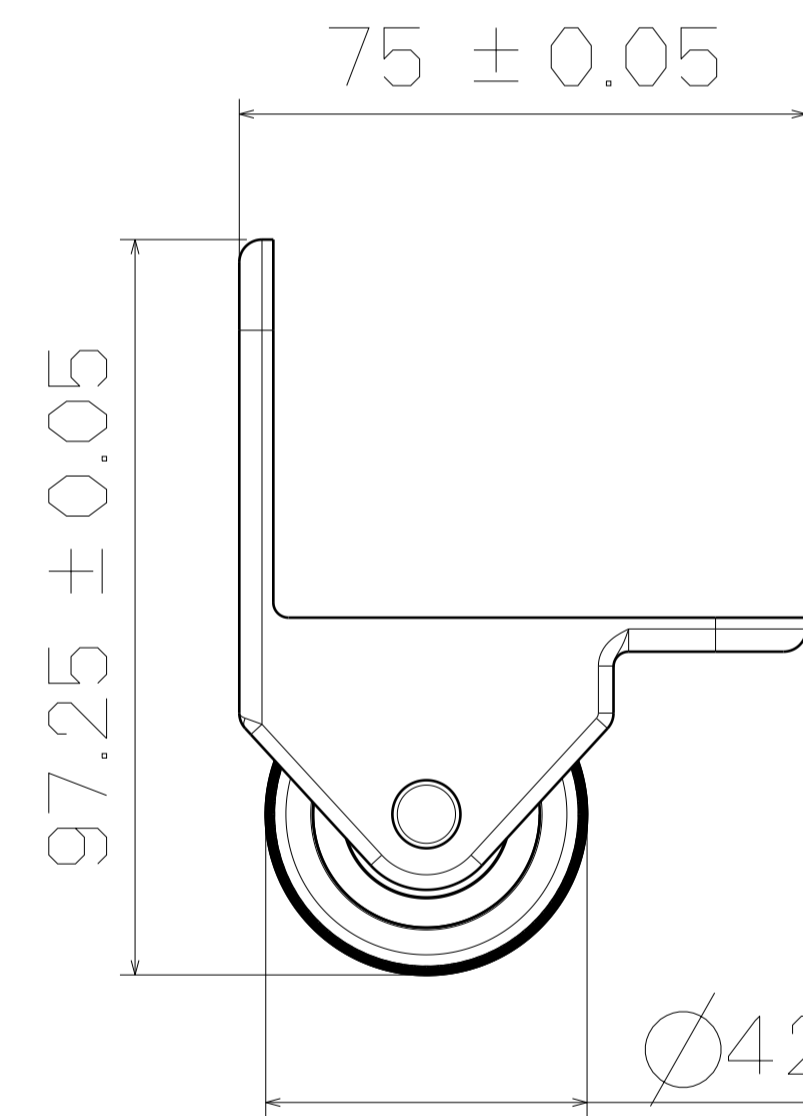




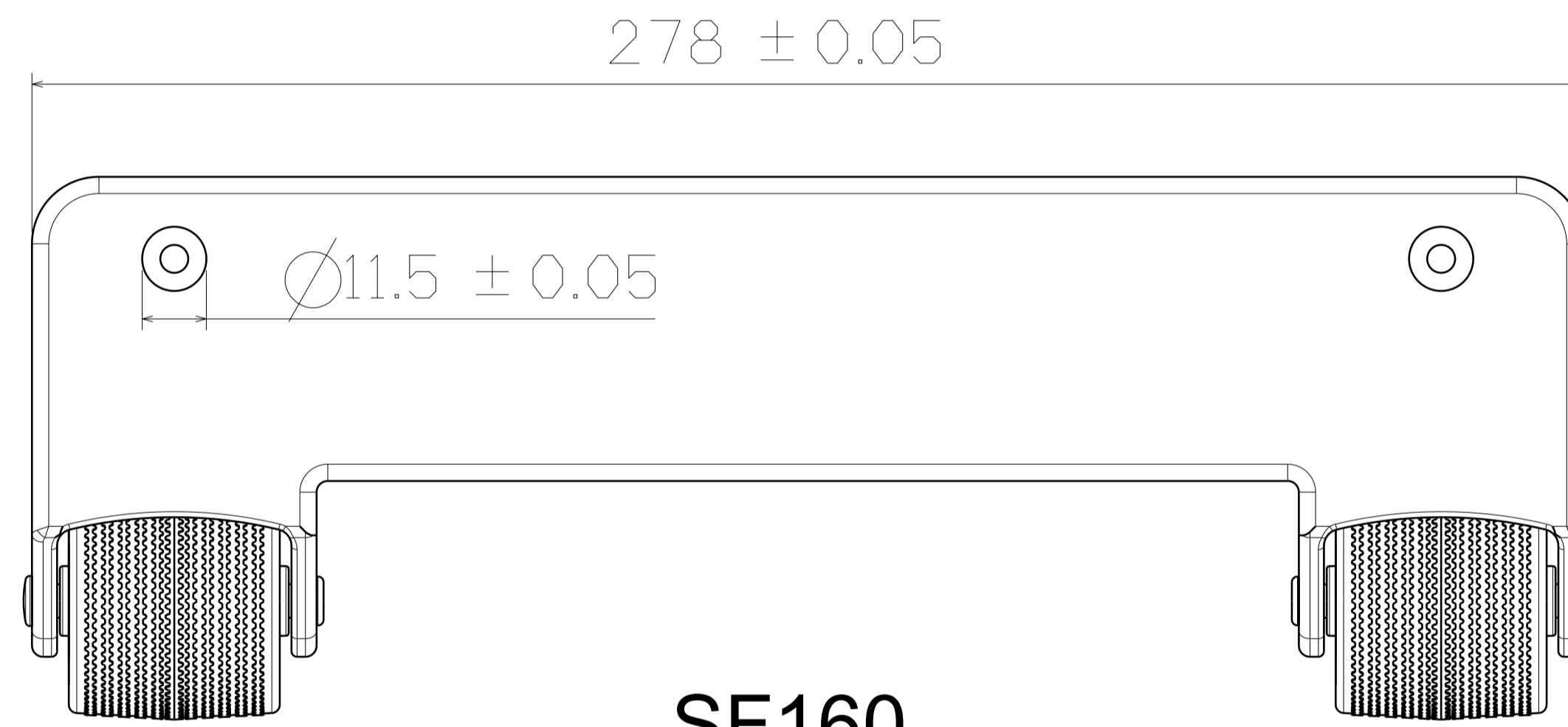
Top View



3D View

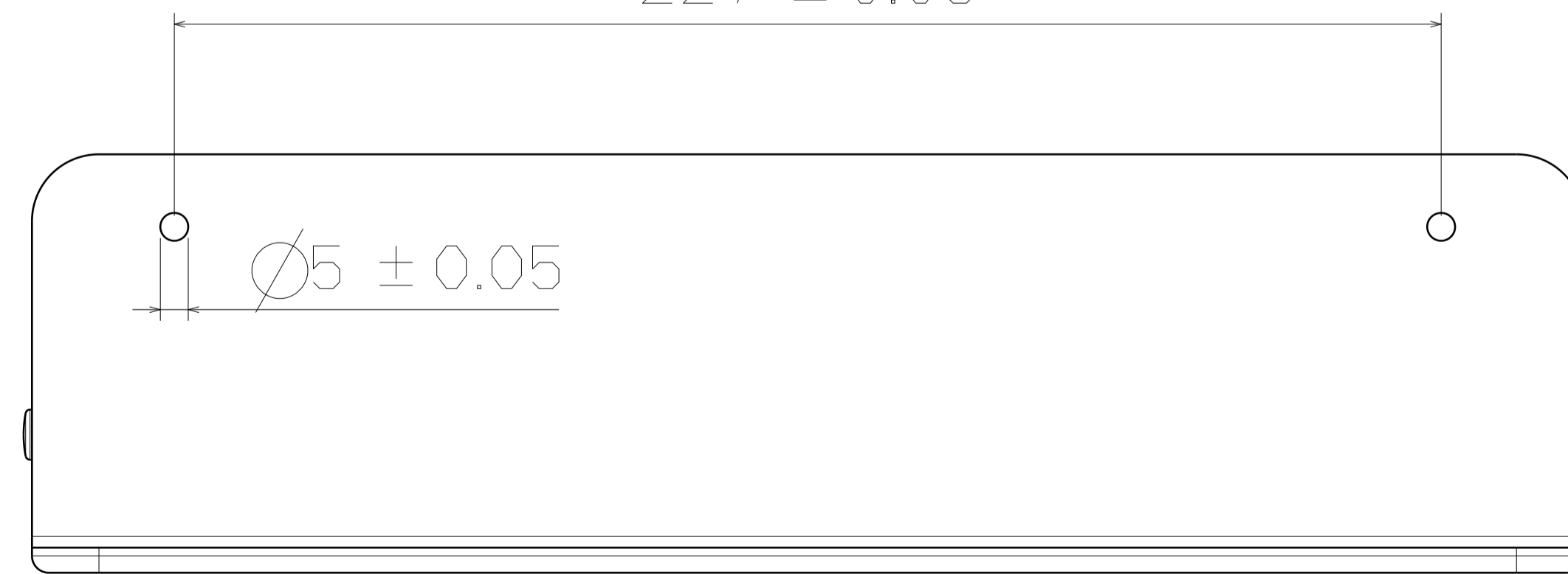


Right View

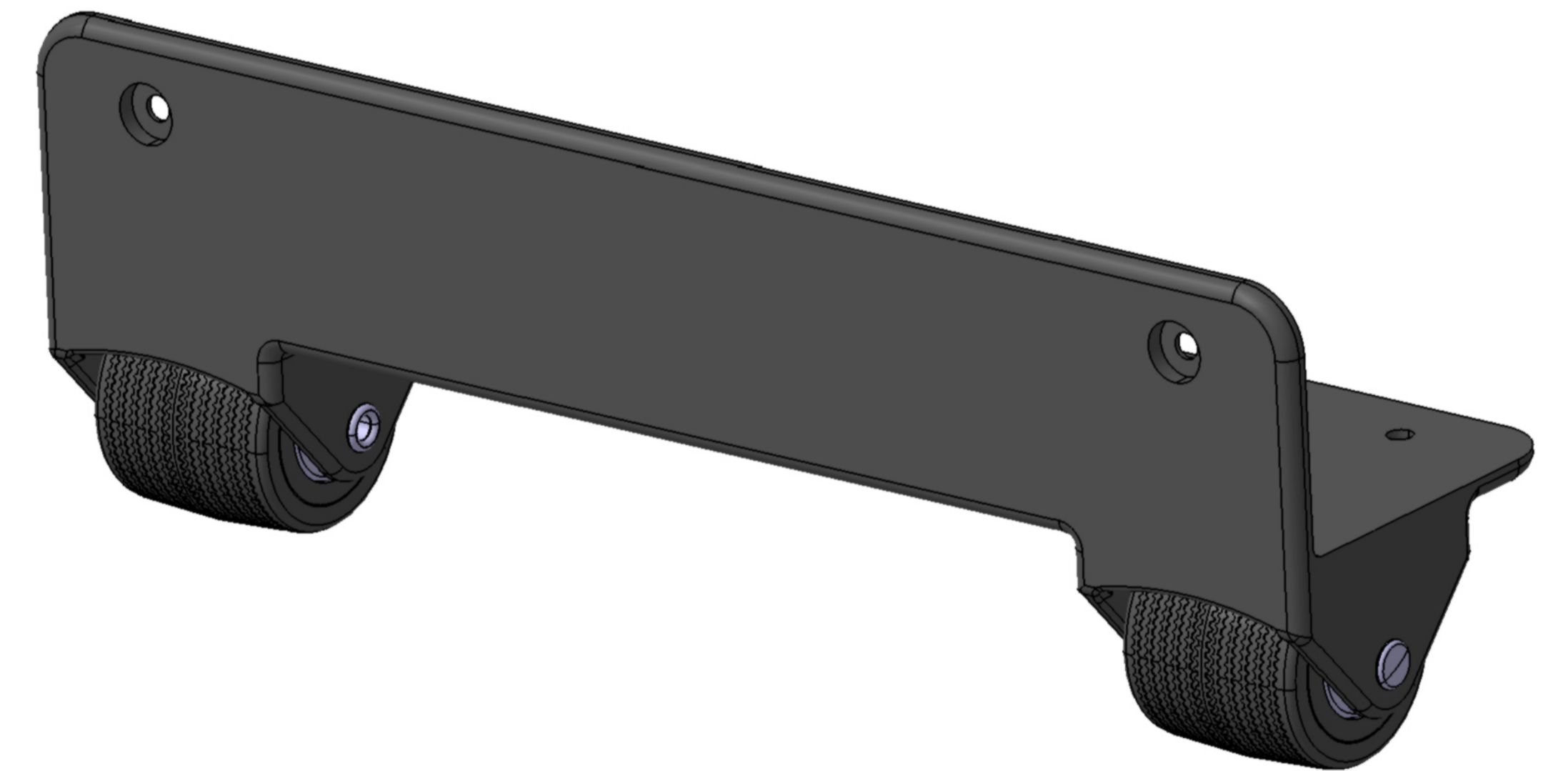


SF160

227 ± 0.05



Bottom View



This drawing is our property. It can't be reproduced or communicated without our written agreement.					
DRAWN BY		DATE		DRAWING TITLE	
BRIAN CHEN		1999/11/6		Right angle side wheel	
CHECKED BY		DATE		SIZE	DRAWING NUMBER
JIMMY CHEN		1999/11/8		A1	SF160
DESIGNED BY		DATE		SCALE	1:1
RD		1999/11		WHEEL SEAT: PP WHEEL: NYLON+PVC	SHEET 1/1