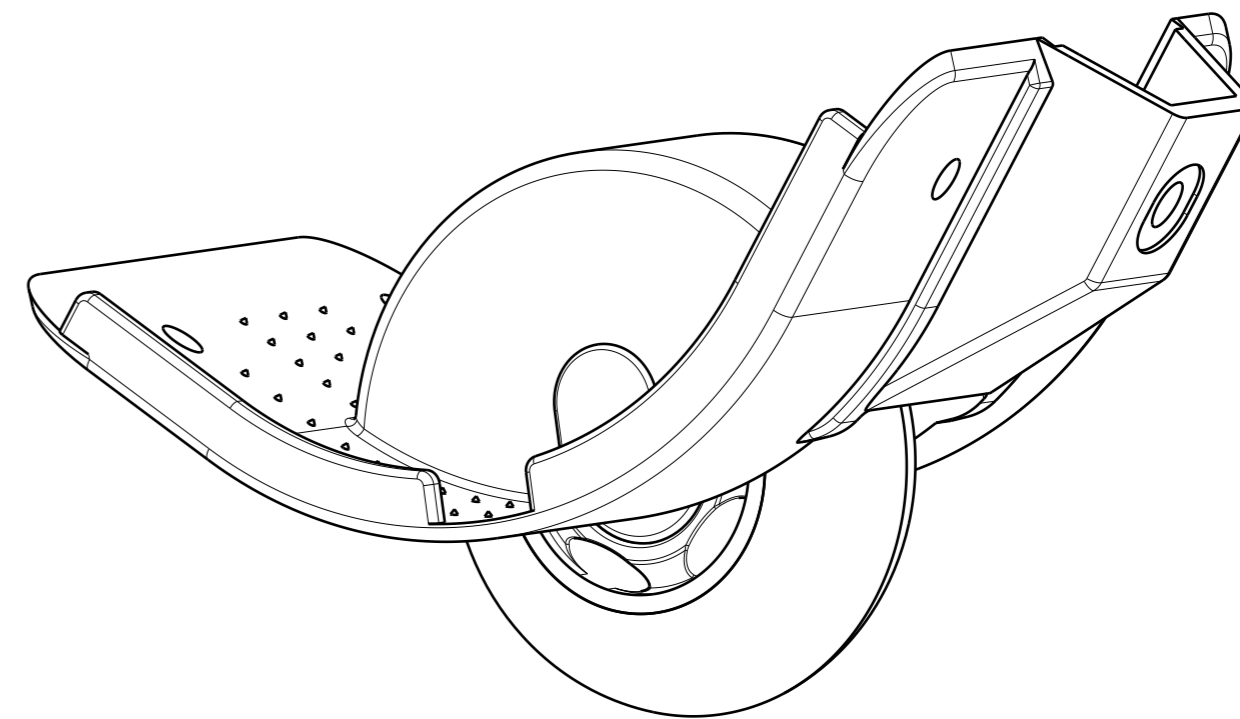
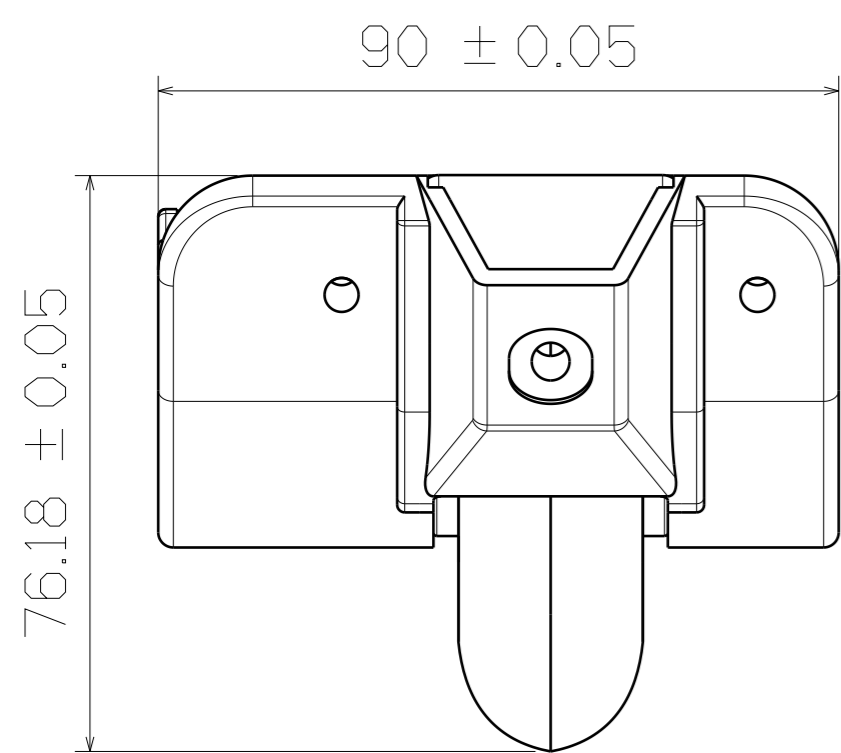


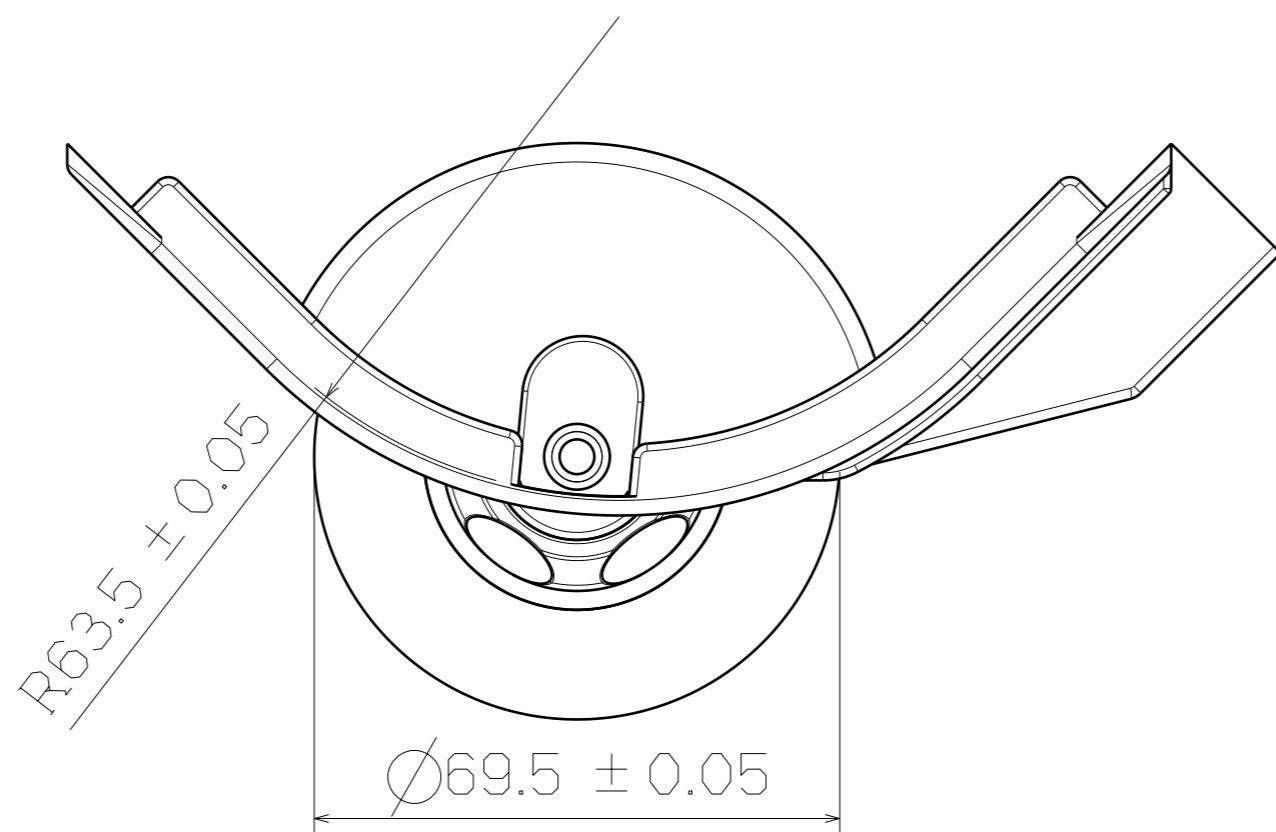
Top View



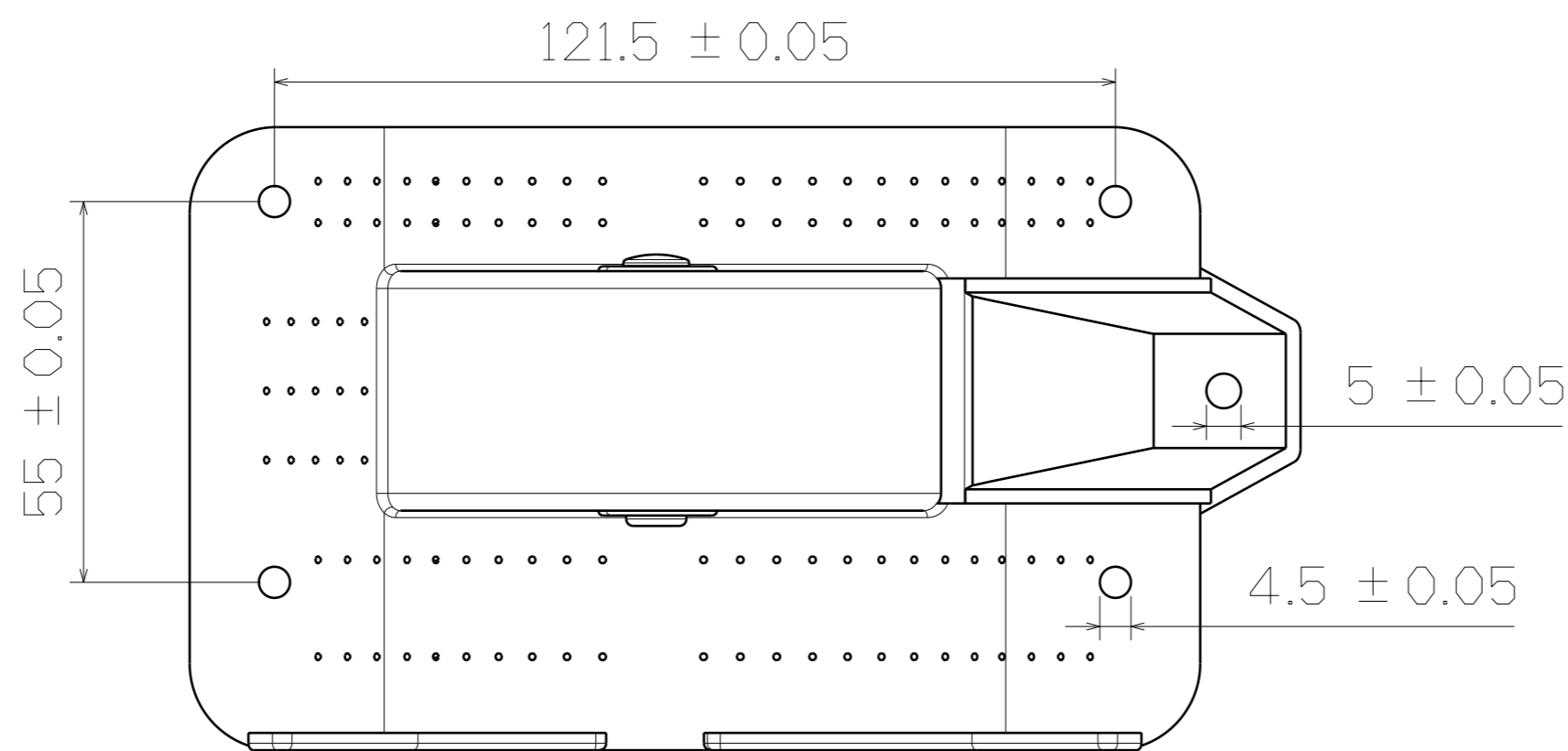
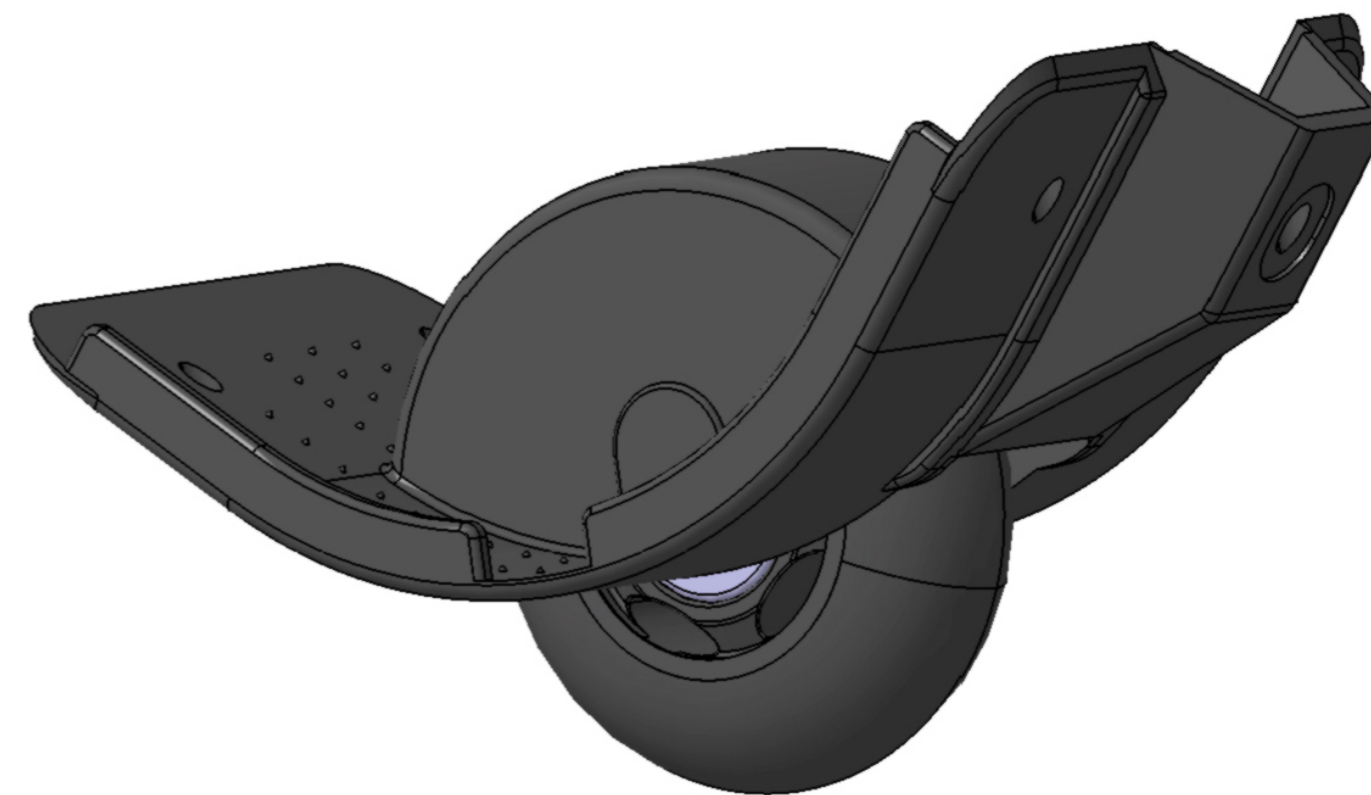
3D View



Right View



SF159-4



Bottom View

This drawing is our property.  
It can't be reproduced  
or communicated without  
our written agreement.

**SHIN FANG PLASTIC  
INDUSTRIAL CO., LTD.**

DRAWN BY  
**BRIAN CHEN**  
CHECKED BY  
**JIMMY CHEN**  
DESIGNED BY  
**RD**

DATE  
1999/9/5  
DATE  
1999/9/8  
DATE  
1999/9

DRAWING TITLE			
Side wheel with protective rim			
SIZE	DRAWING NUMBER	REV	
A2	SF159-4	X	
SCALE	1:1	WHEEL SEAT: PP WHEEL: NYLON+PVC+ BALL BEARING	SHEET 1/1