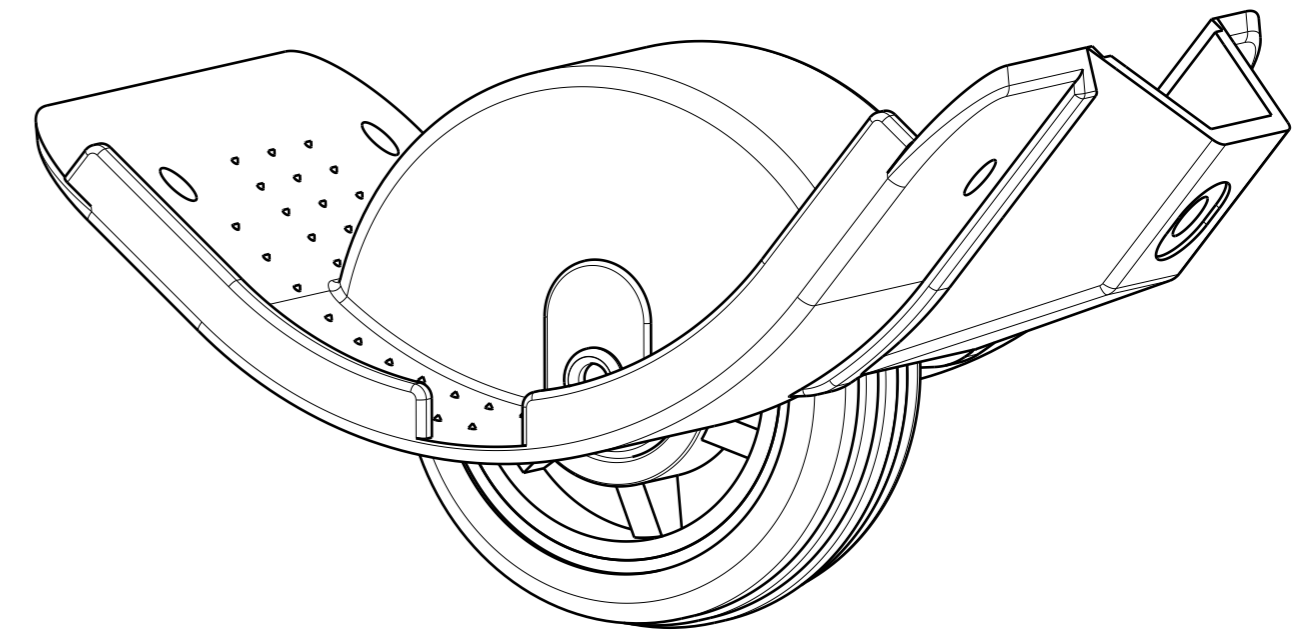
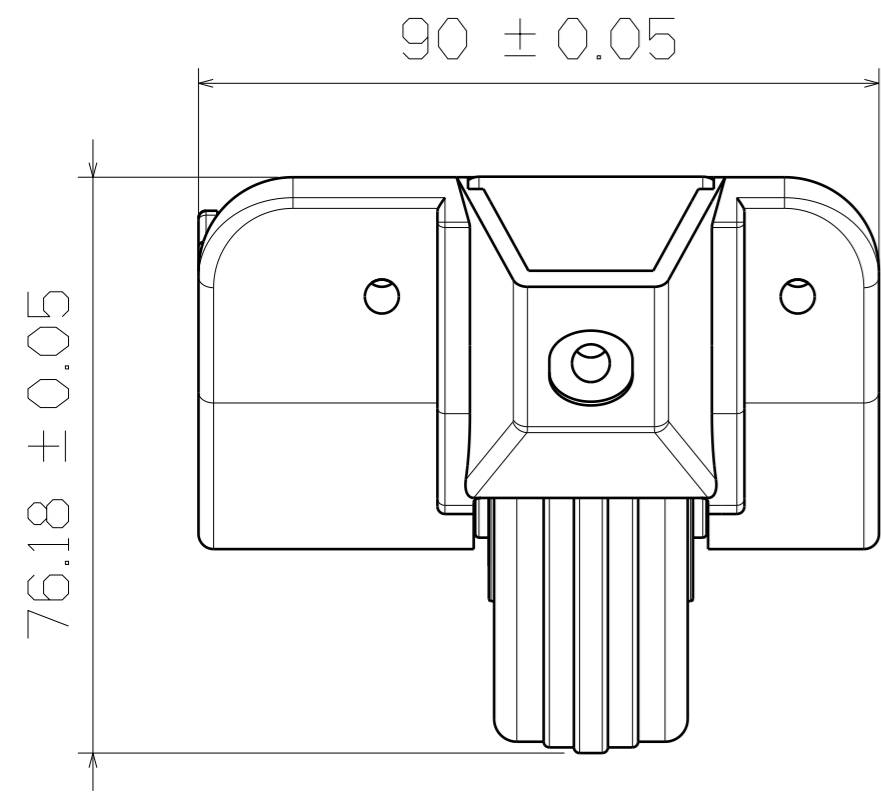


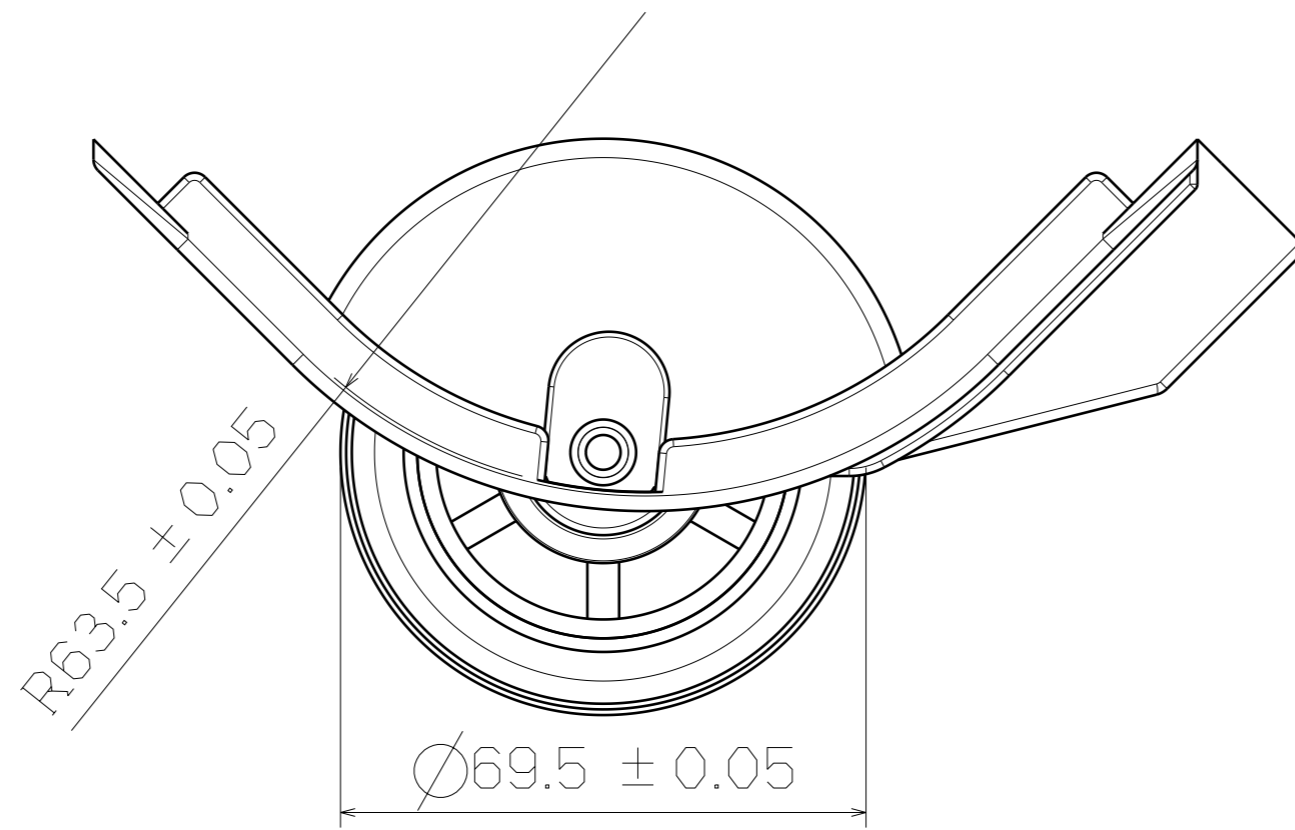
Top View



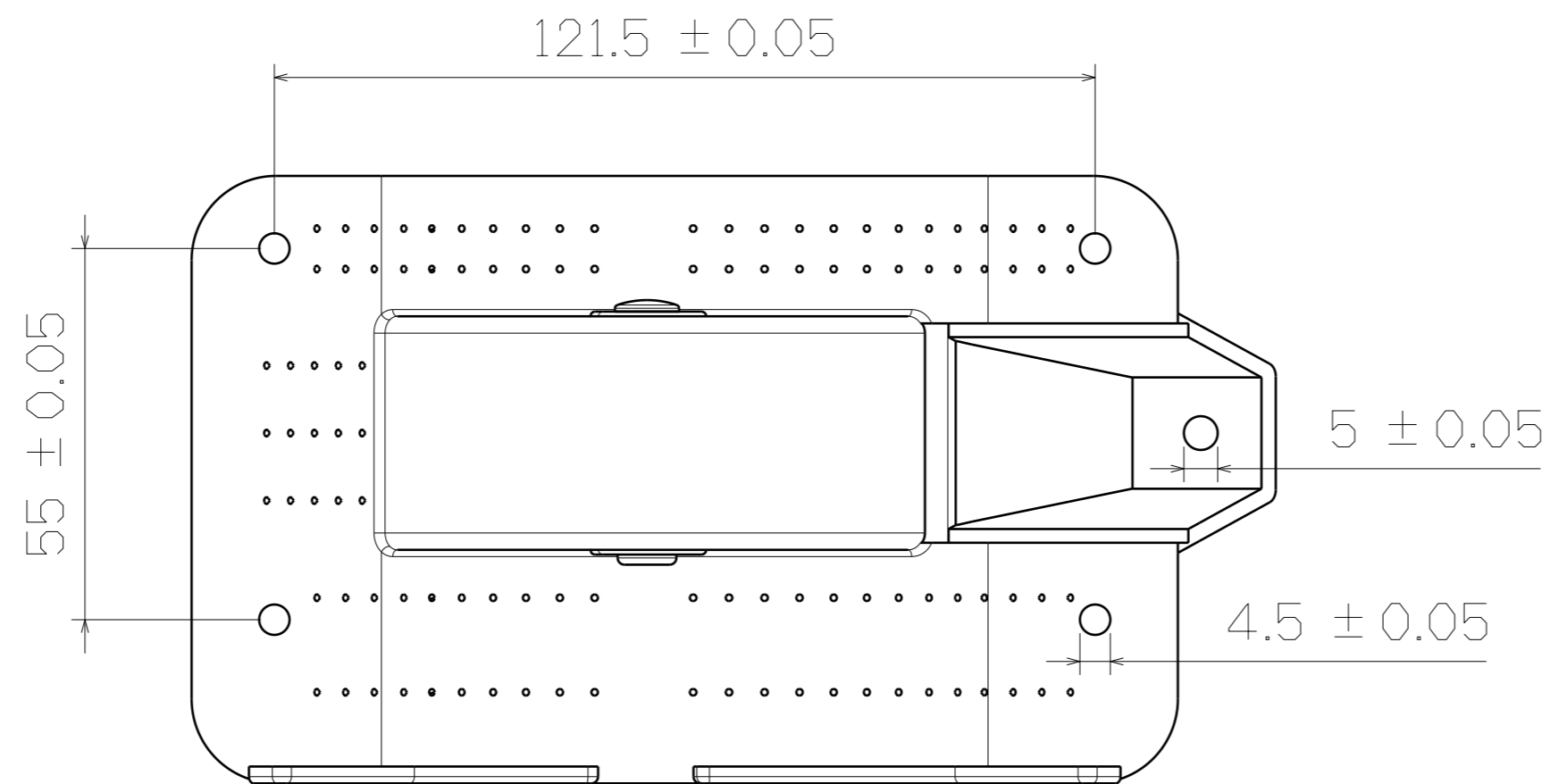
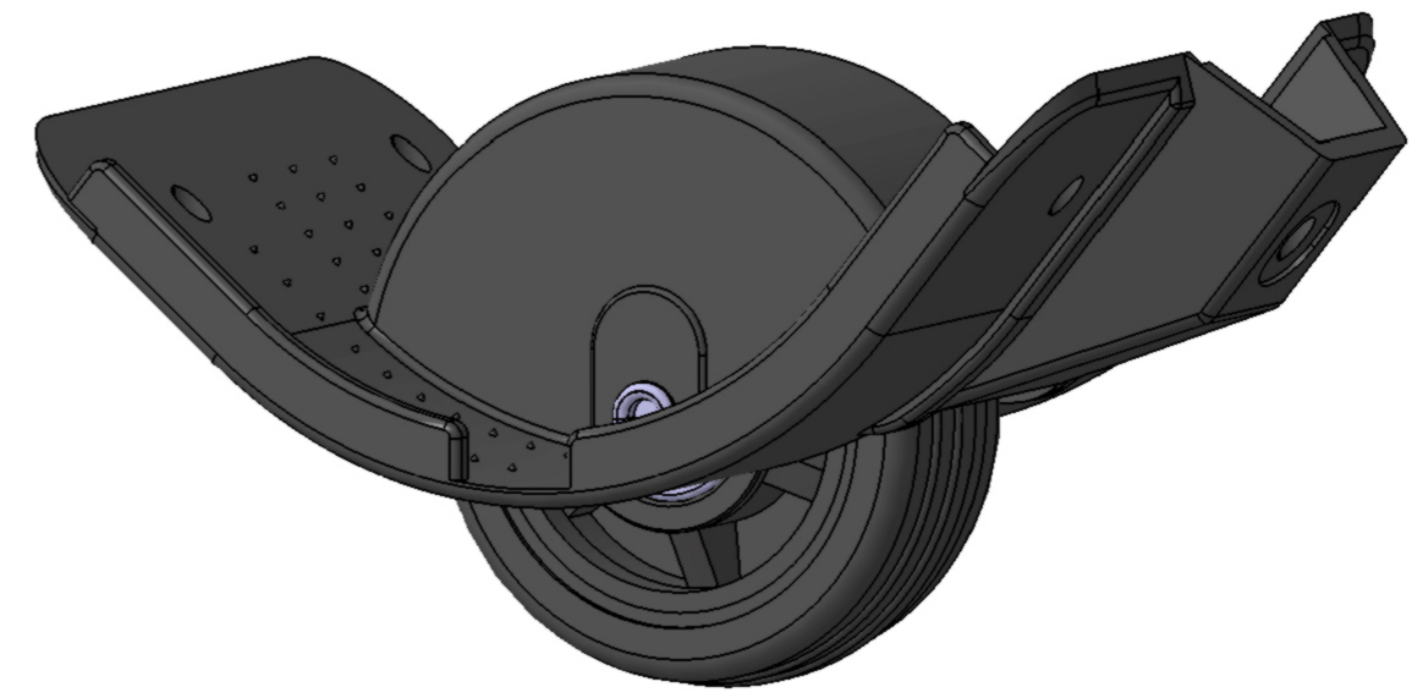
3D View



Right View



SF159-3



Bottom View

This drawing is our property.
It can't be reproduced
or communicated without
our written agreement.

**SHIN FANG PLASTIC
INDUSTRIAL CO., LTD.**

DRAWN BY	DATE
BRIAN CHEN	1999/8/15
CHECKED BY	DATE
JIMMY CHEN	1999/8/16
DESIGNED BY	DATE
RD	1999/8

DRAWING TITLE			
Side wheel with protective rim			
SIZE	DRAWING NUMBER	REV	
A2	SF159-3	X	
SCALE	1:1	WHEEL SEAT: PP WHEEL: NYLON+PVC+ BALL BEARING	SHEET 1/1