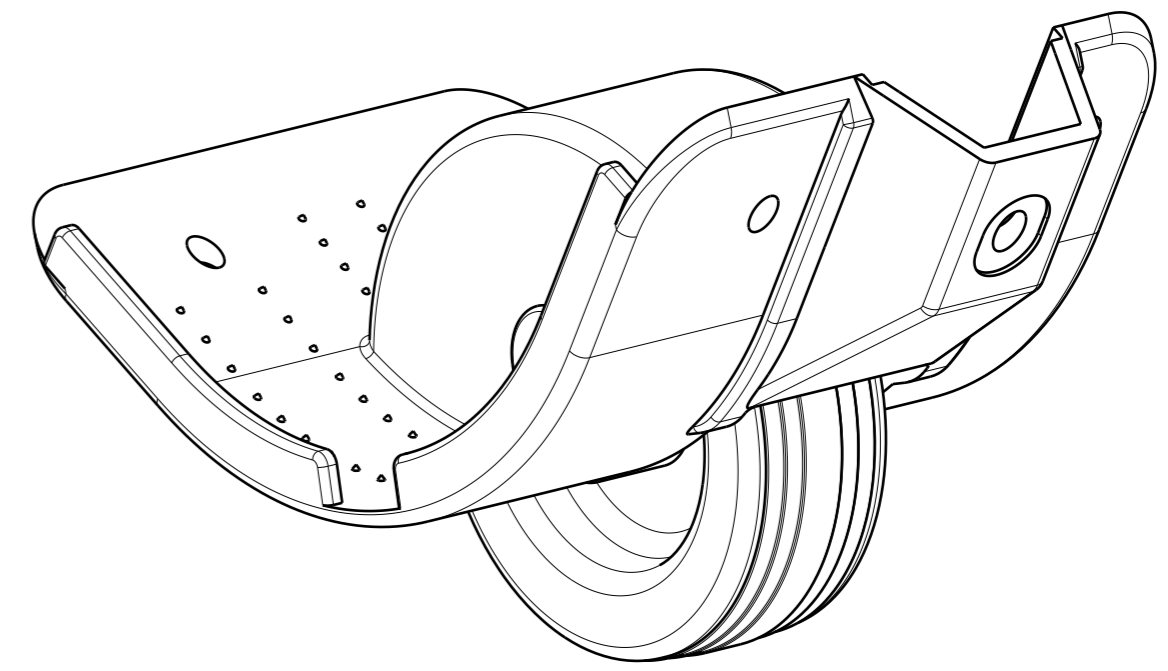
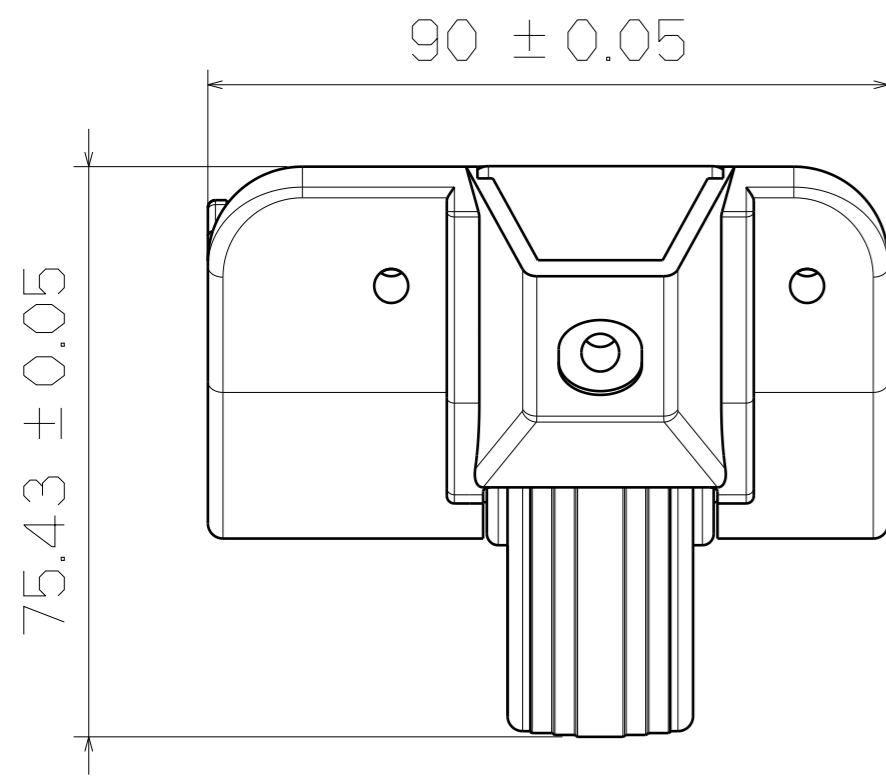


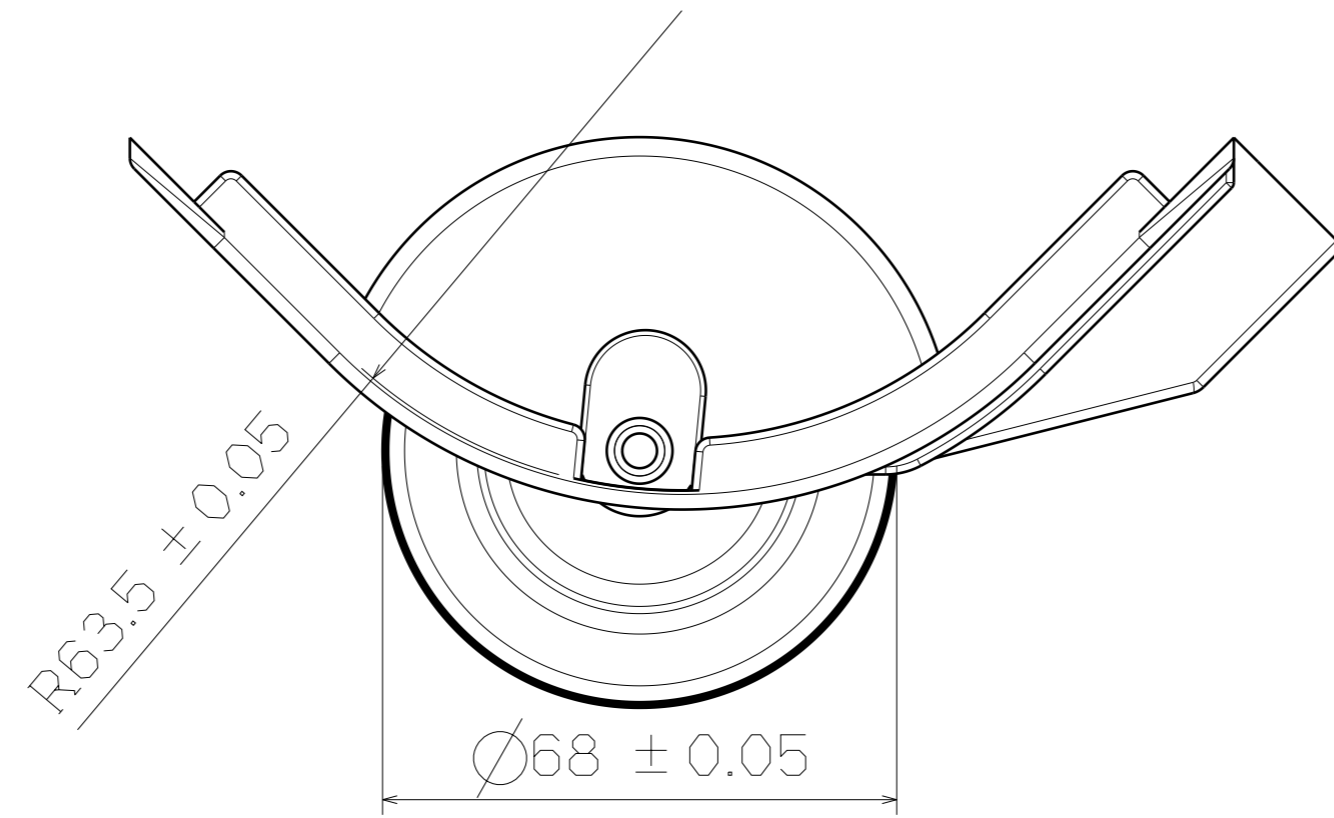
Top View



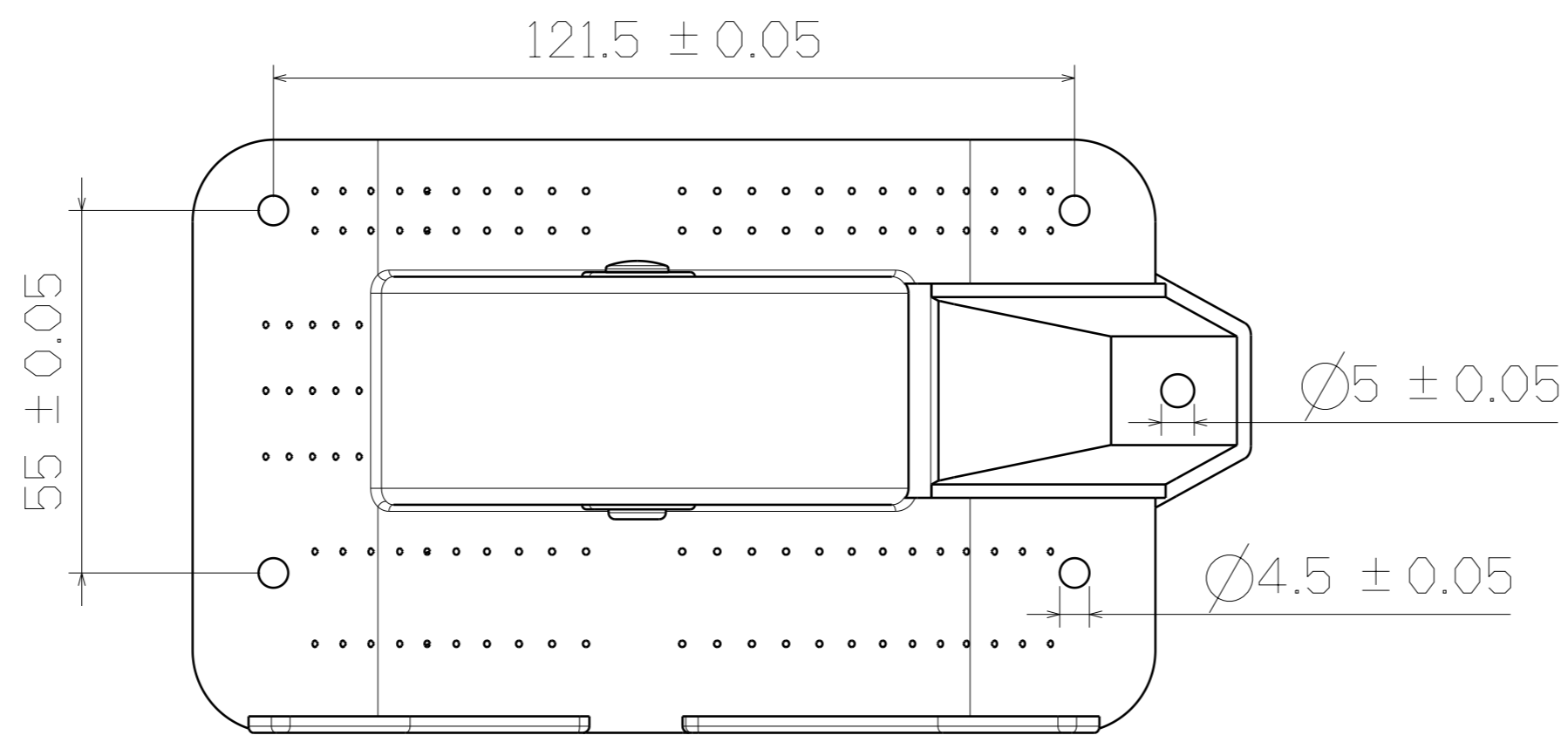
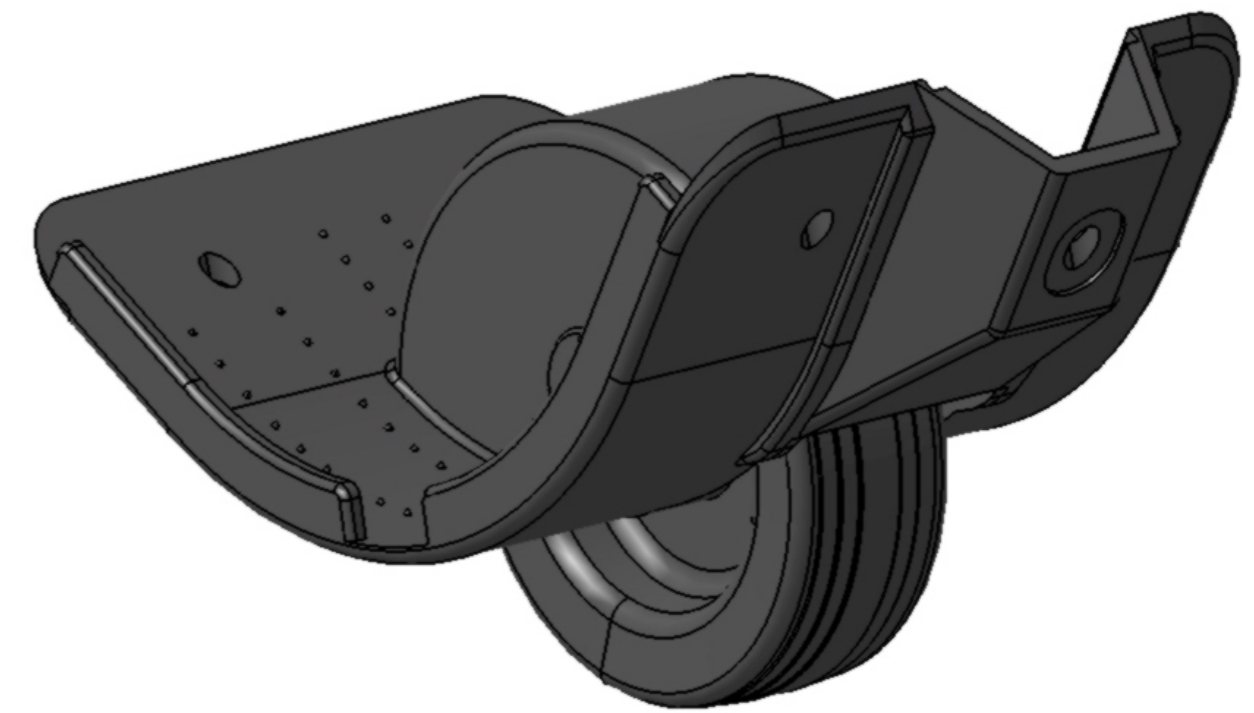
3D View



Right View



SF159-1



Bottom View

This drawing is our property.  
It can't be reproduced  
or communicated without  
our written agreement.

**SHIN FANG PLASTIC INDUSTRIAL CO., LTD.**

DRAWN BY	DATE
BRIAN CHEN	1999/7/5
CHECKED BY	DATE
JIMMY CHEN	1999/7/8
DESIGNED BY	DATE
RD	1999/7

DRAWING TITLE			
Side wheel with protective rim			
SIZE	DRAWING NUMBER	REV	
A2	SF159-1	X	
SCALE	1:1	WHEEL SEAT: PP WHEEL: NYLON	SHEET 1/1