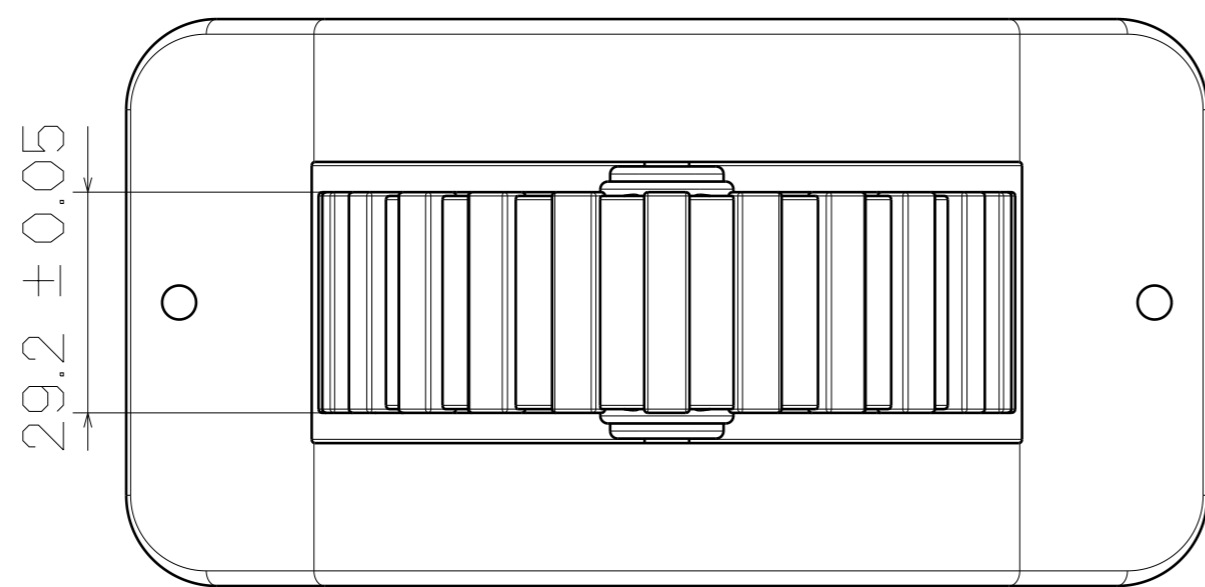
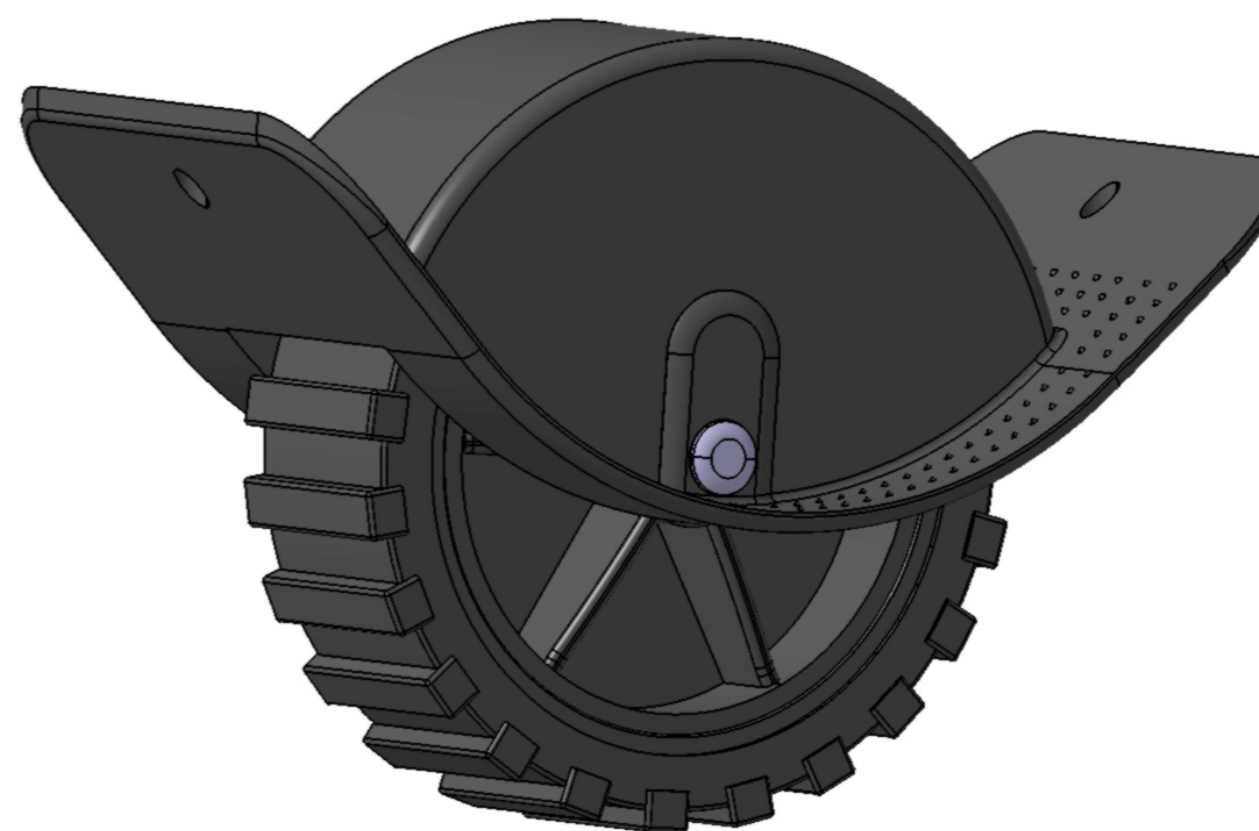
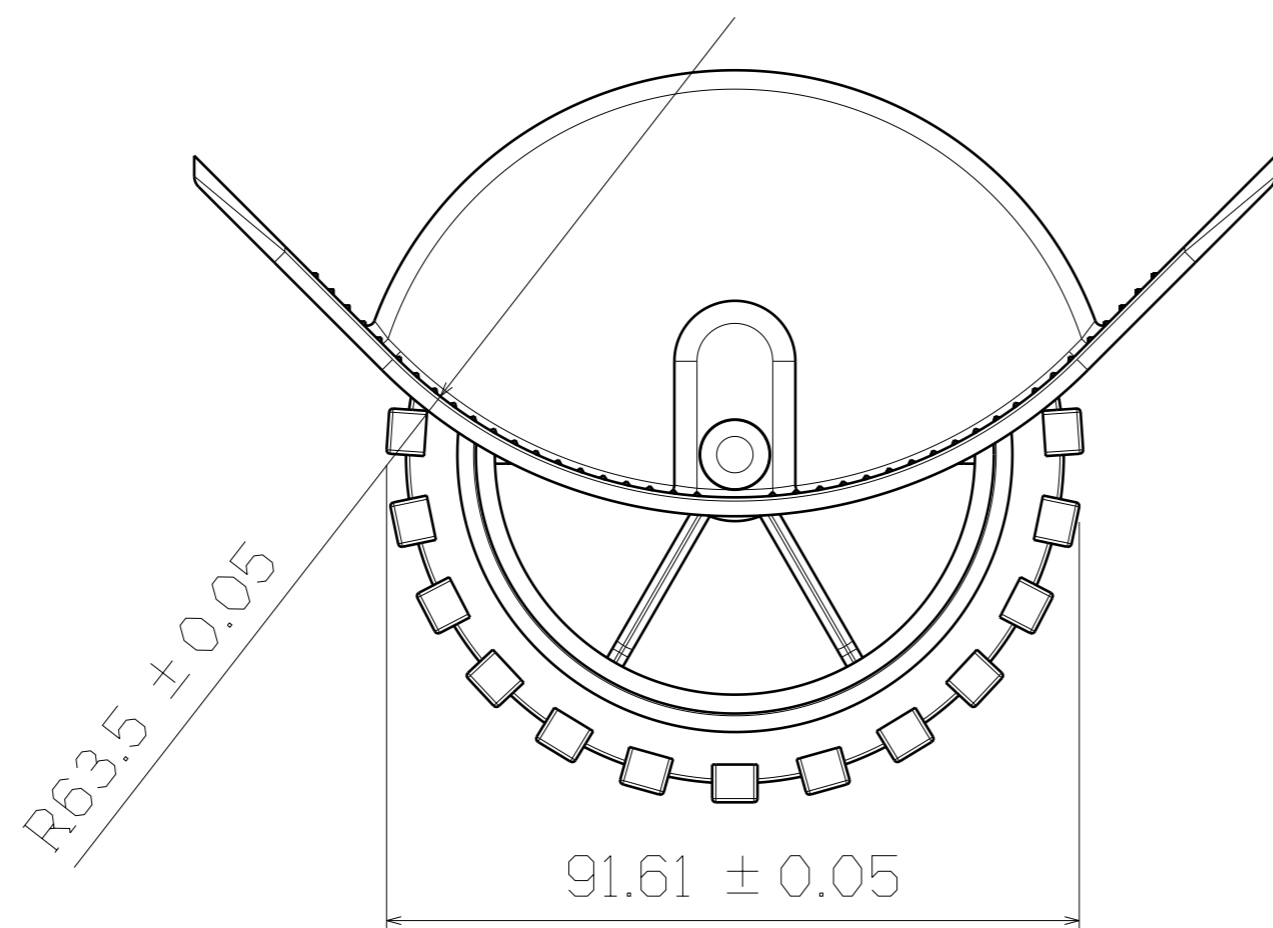


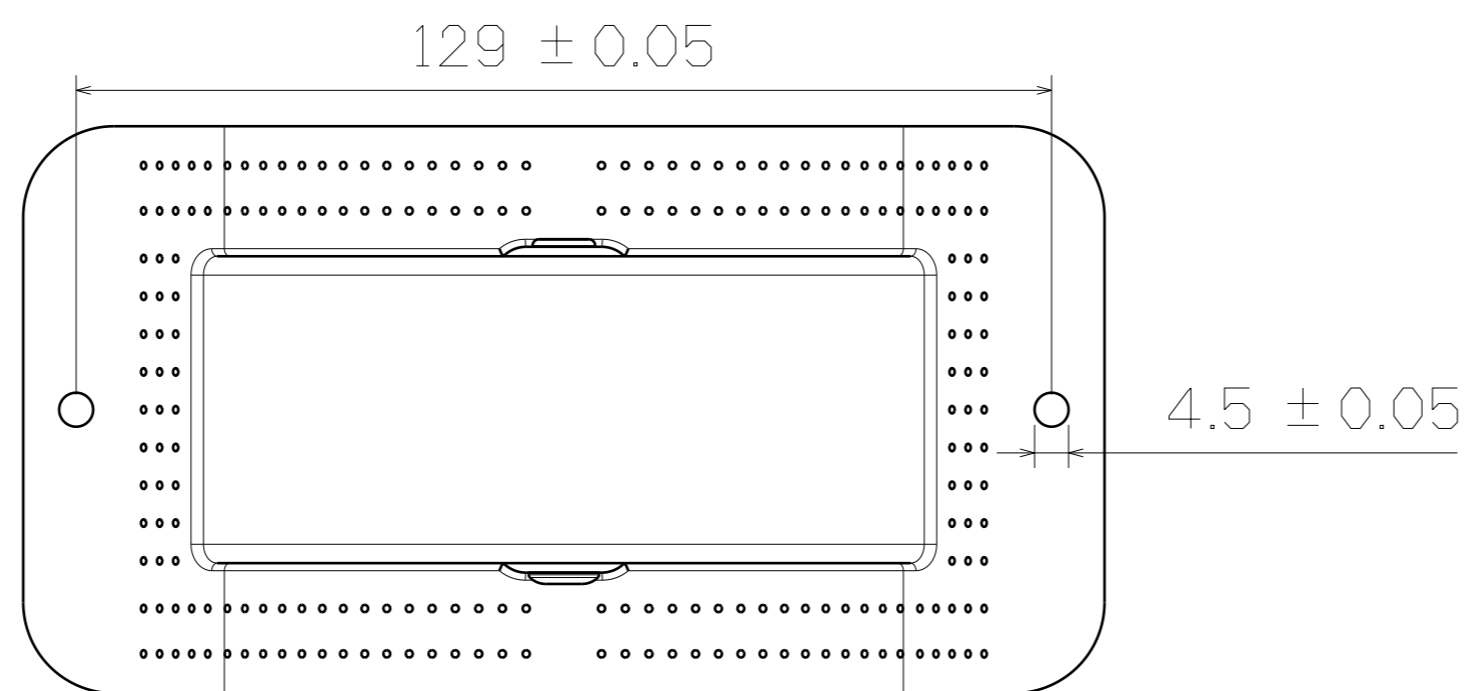
3D View



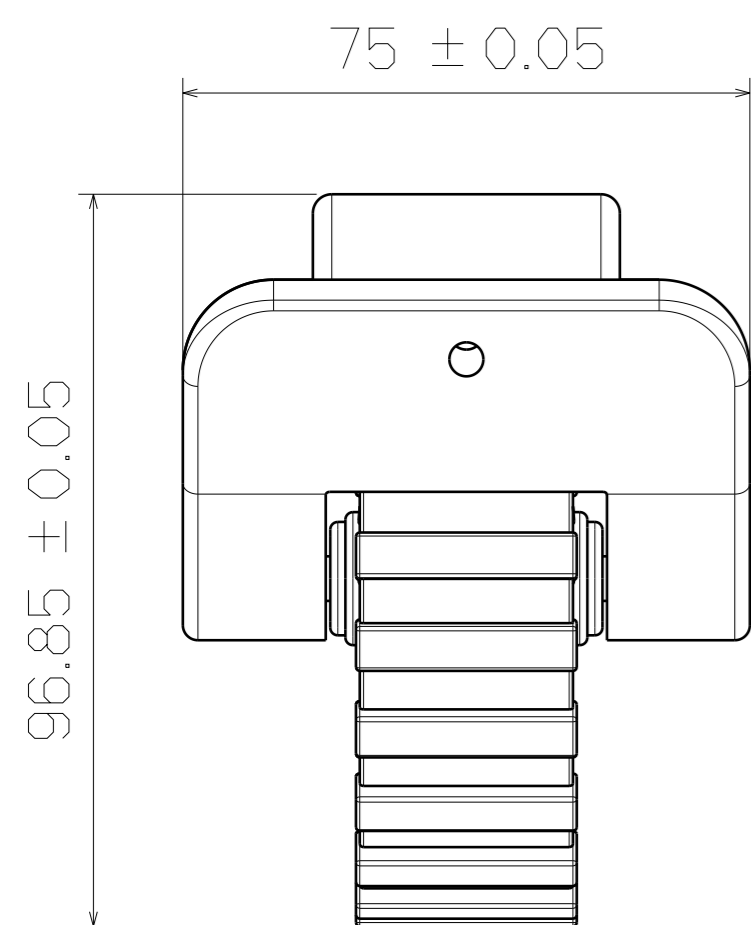
Top View




SF158



Bottom View



Right View

This drawing is our property. It can't be reproduced or communicated without our written agreement.		 SHIN FANG PLASTIC INDUSTRIAL CO., LTD.			
DRAWN BY		DATE		DRAWING TITLE	
BRIAN CHEN		1999/5/22		Side Wheel	
CHECKED BY		DATE		SIZE	DRAWING NUMBER
JIMMY CHEN		1999/5/23		A2	SF158
DESIGNED BY		DATE		SCALE	1:1
RD		1999/5		WHEEL SEAT: PP WHEEL: NYLON+PVC	SHEET 1/1