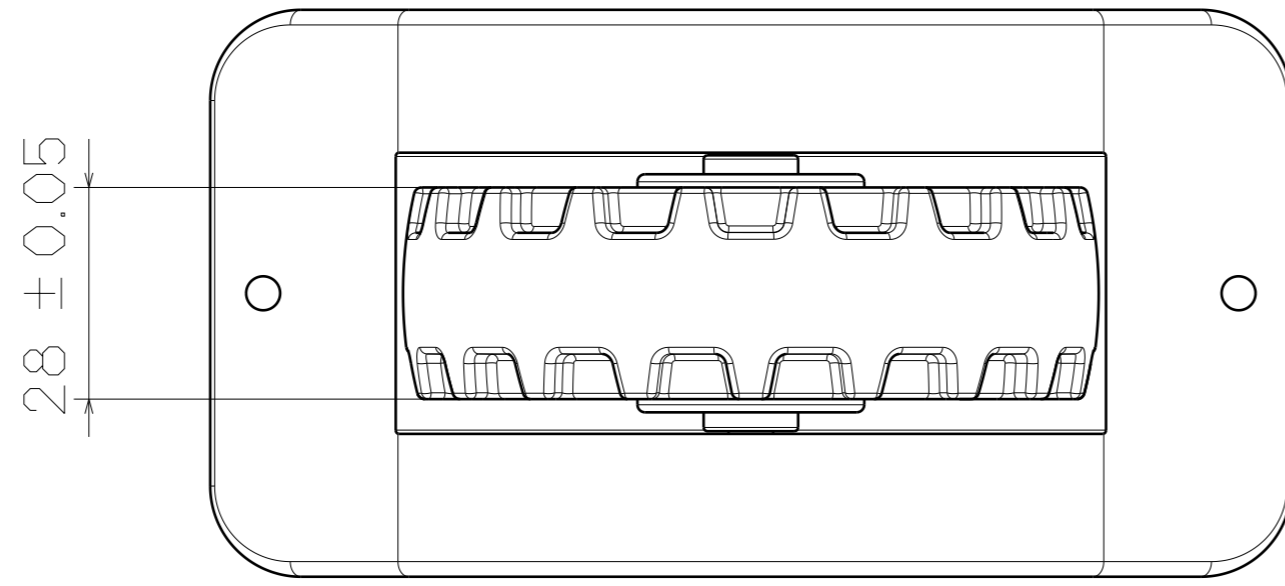
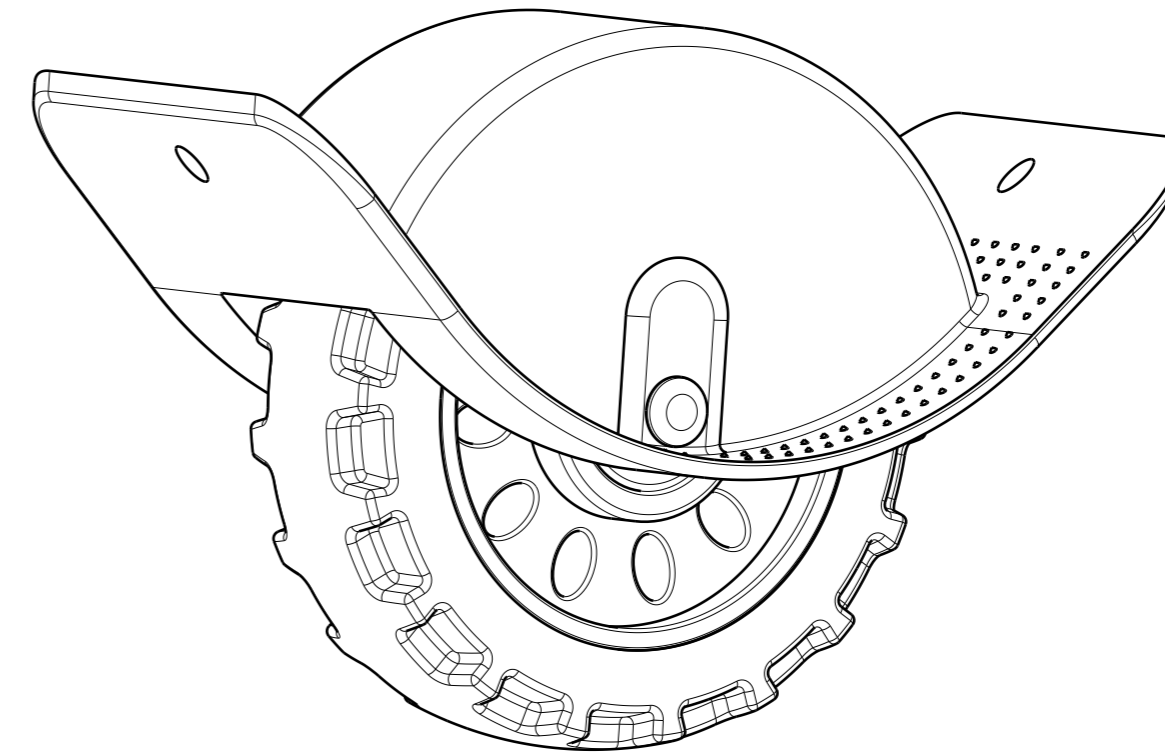


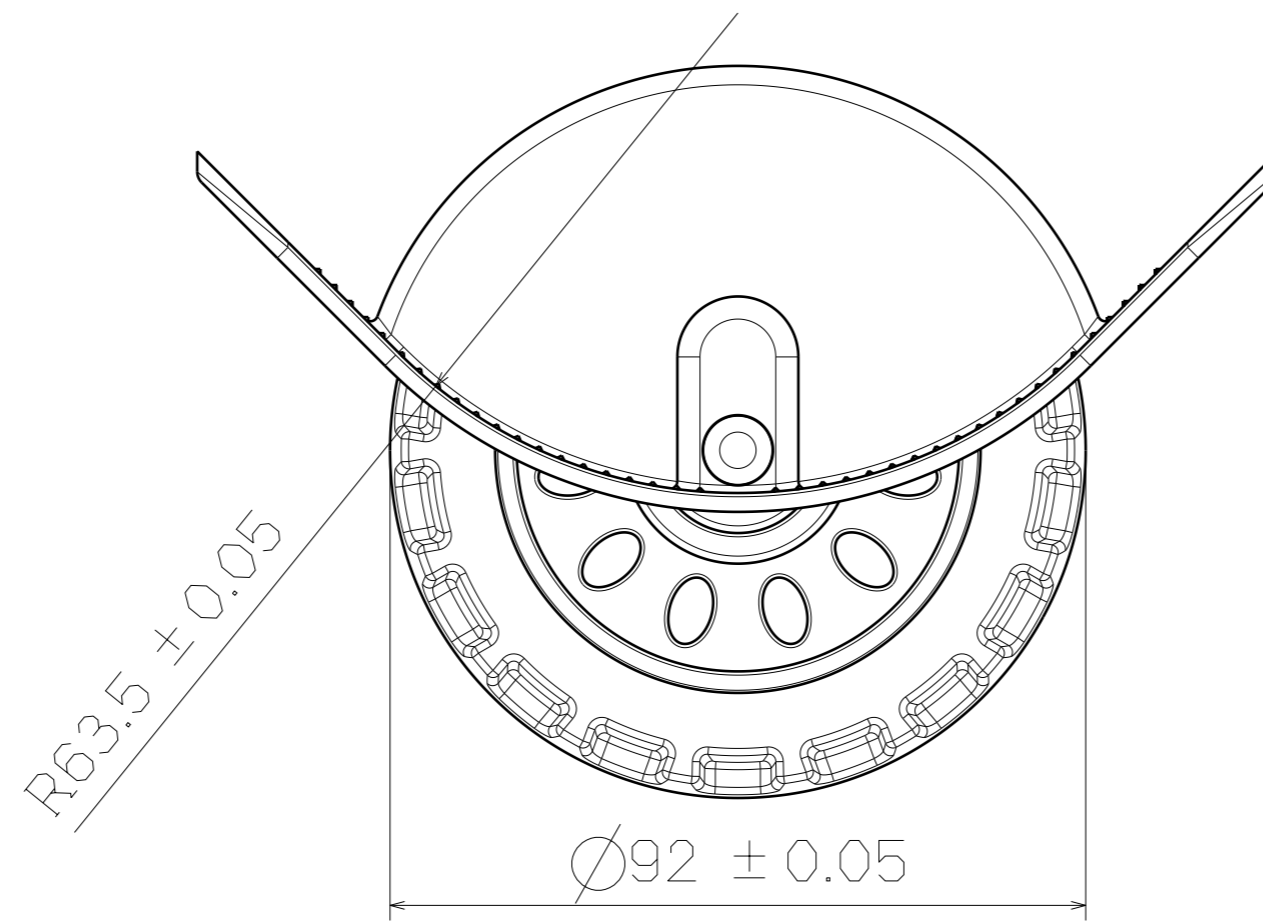
Right View



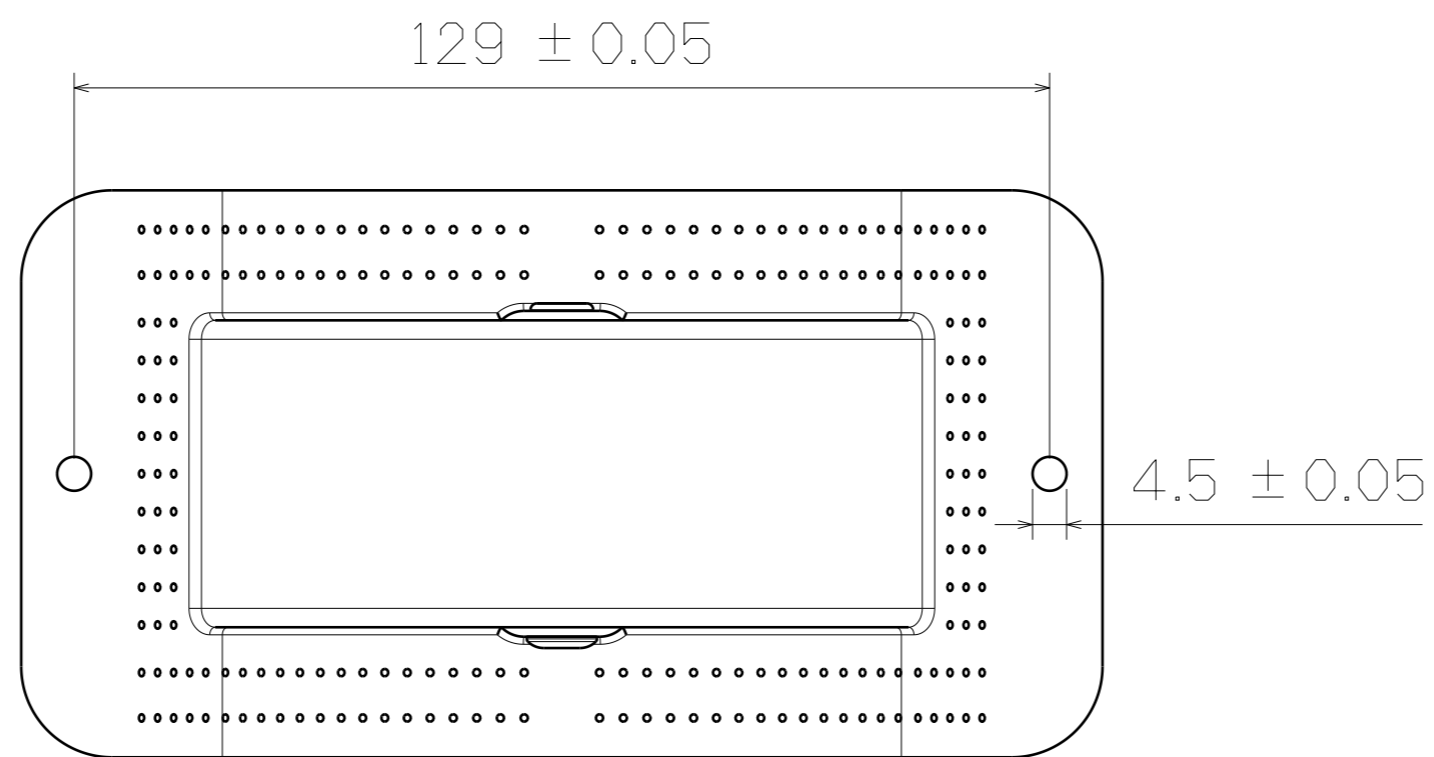
Top View



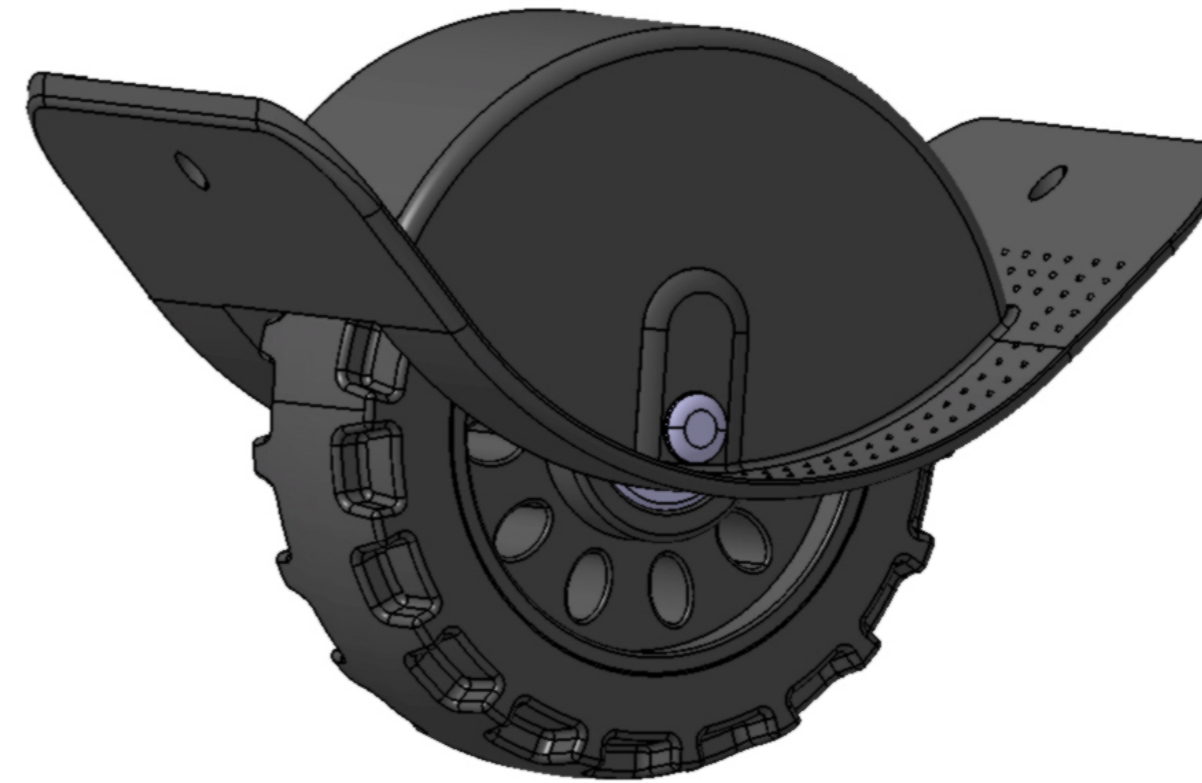
3D View



SF158-2



Bottom View



This drawing is our property.
It can't be reproduced
or communicated without
our written agreement.

SHIN FANG PLASTIC INDUSTRIAL CO., LTD.

DRAWN BY	DATE
BRIAN CHEN	1999/6/8
CHECKED BY	DATE
JIMMY CHEN	1999/6/9
DESIGNED BY	DATE
RD	1999/6

DRAWING TITLE		Side wheel		REV
SIZE	DRAWING NUMBER			X
A2	SF158-2			
SCALE	1:1	WHEEL SEAT: PP WHEEL: NYLON+PVC+ BALL BEARING	SHEET	1/1