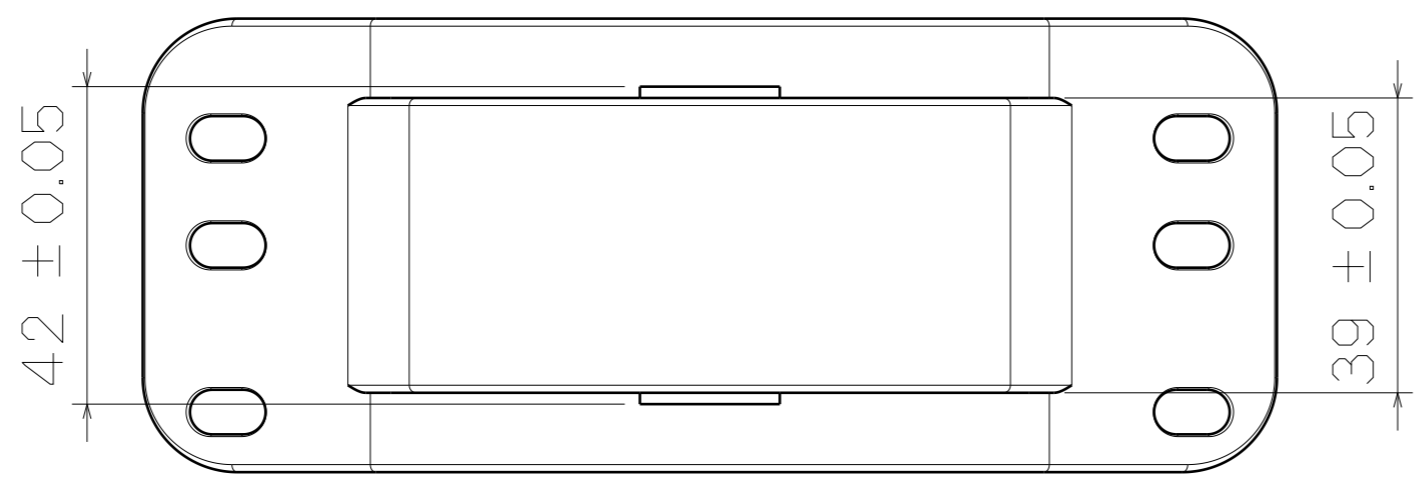
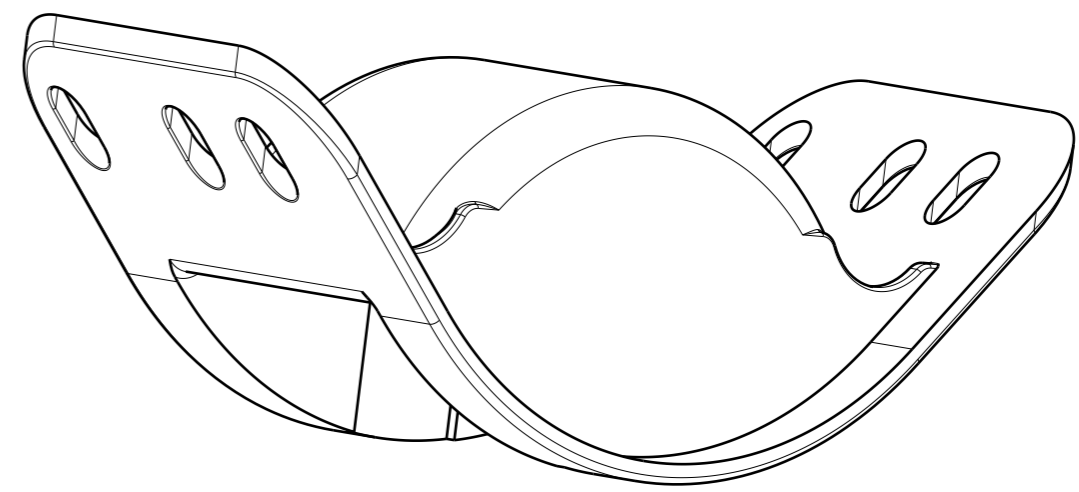


H G F E D C B A

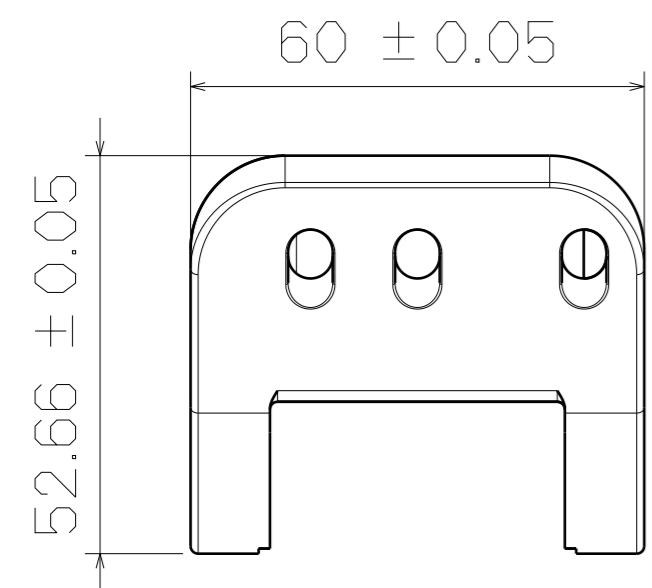
8 7 6 5 4 3 2 1



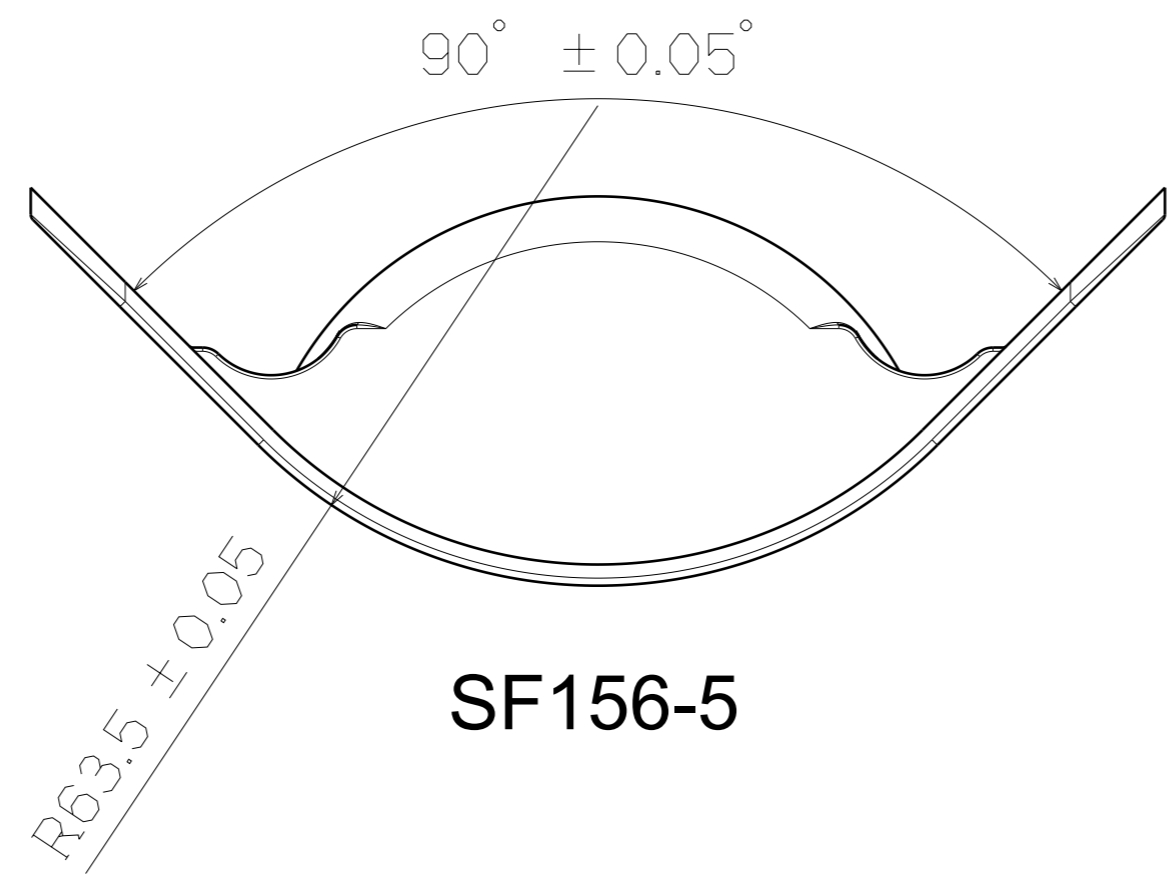
Top View



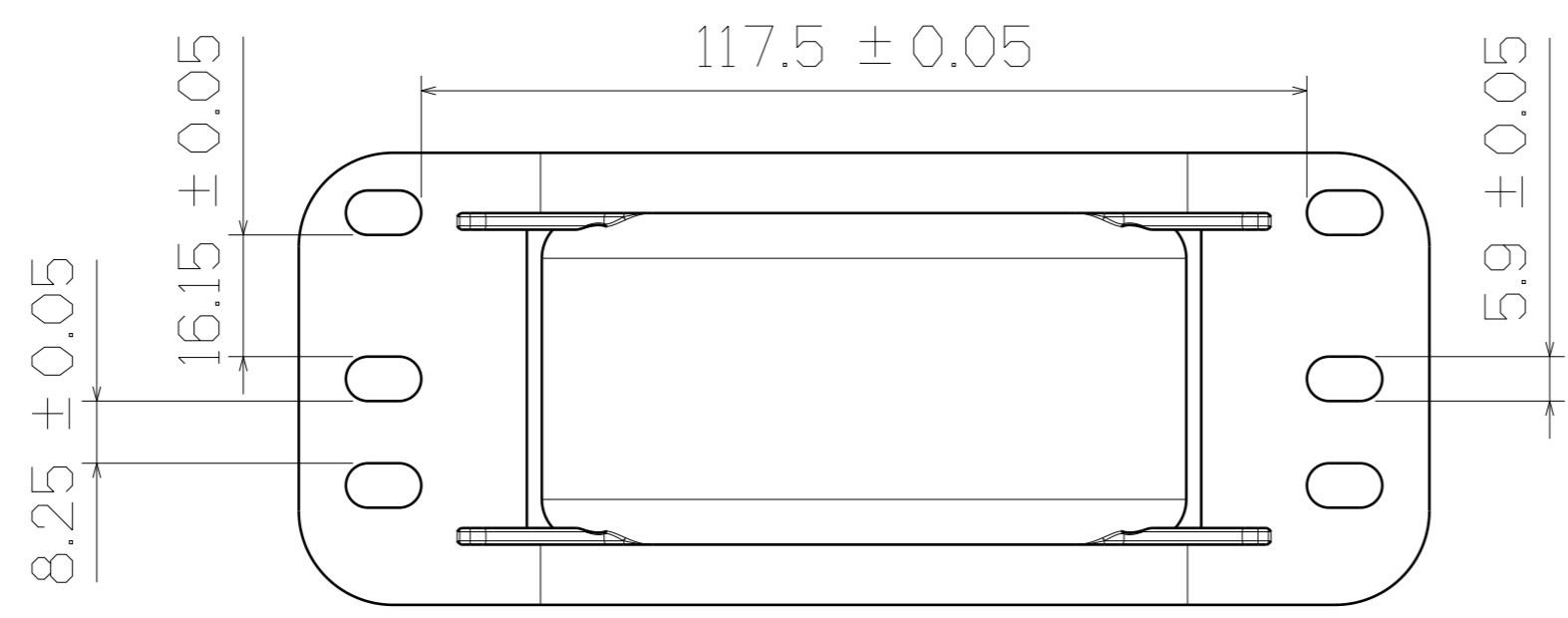
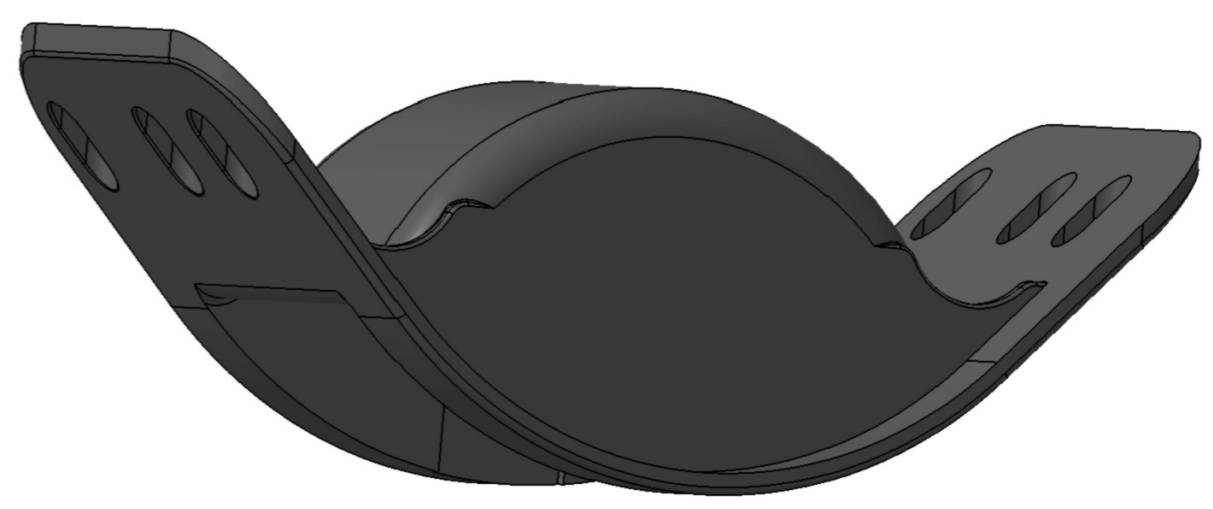
3D View



Right View



SF156-5



Bottom View

This drawing is our property. It can't be reproduced or communicated without our written agreement.					
DRAWN BY		DATE		DRAWING TITLE	
BRIAN CHEN		1999/10/20		Single hole inner cover	
CHECKED BY		DATE		SIZE	DRAWING NUMBER
JIMMY CHEN		1999/10/23		A2	SF156-5
DESIGNED BY		DATE		SCALE	MATERIAL
RD		1999/10		1:1	PP
				SHEET	1/1
				REV	X

H G F E D C B A

1