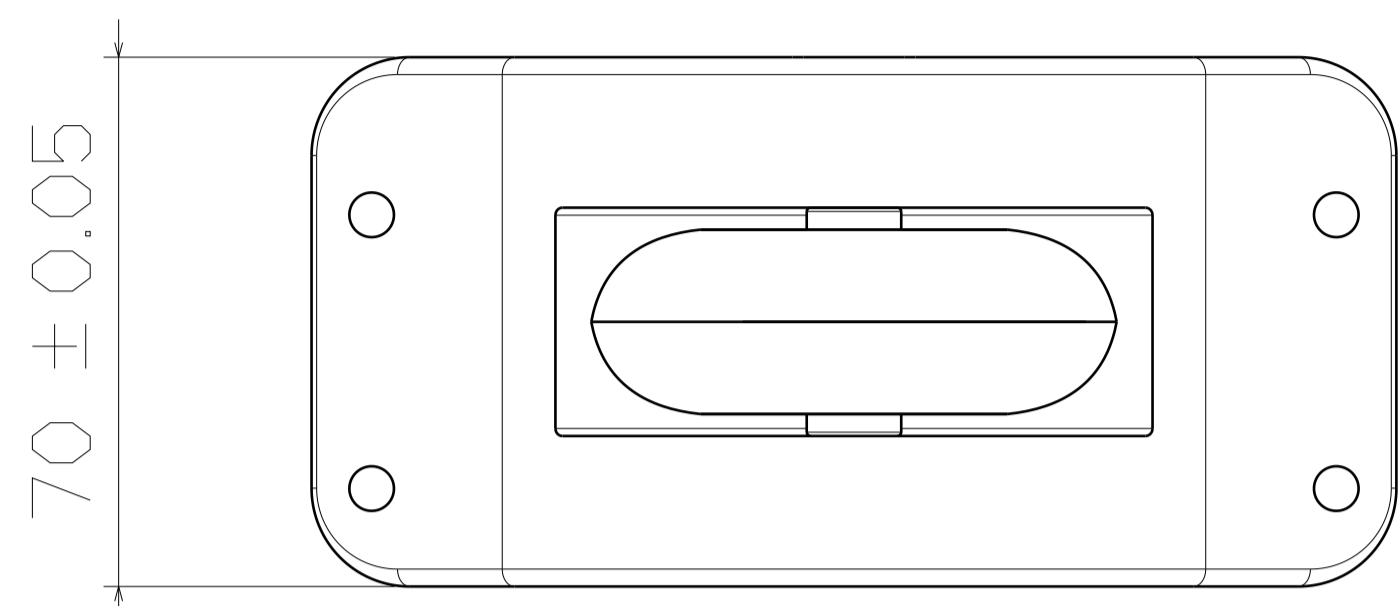


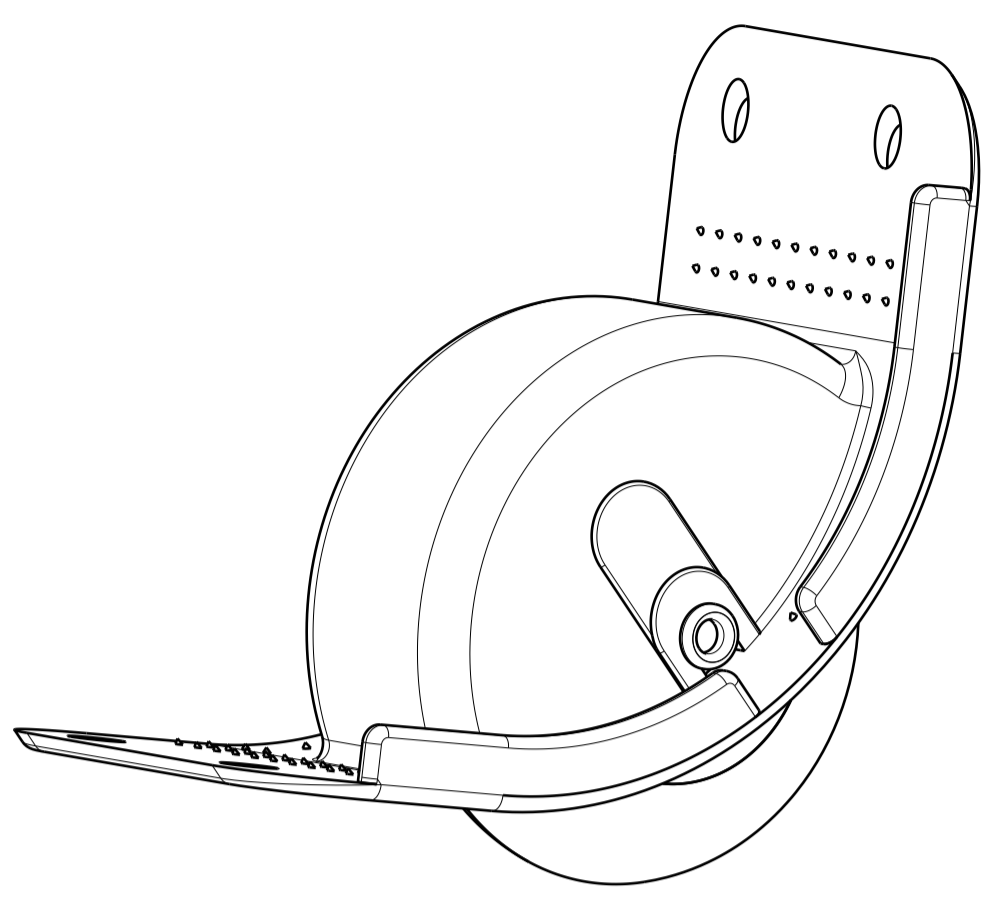
P O N M L K J I H G F E D C B A

8 7 6 5 4 3 2 1

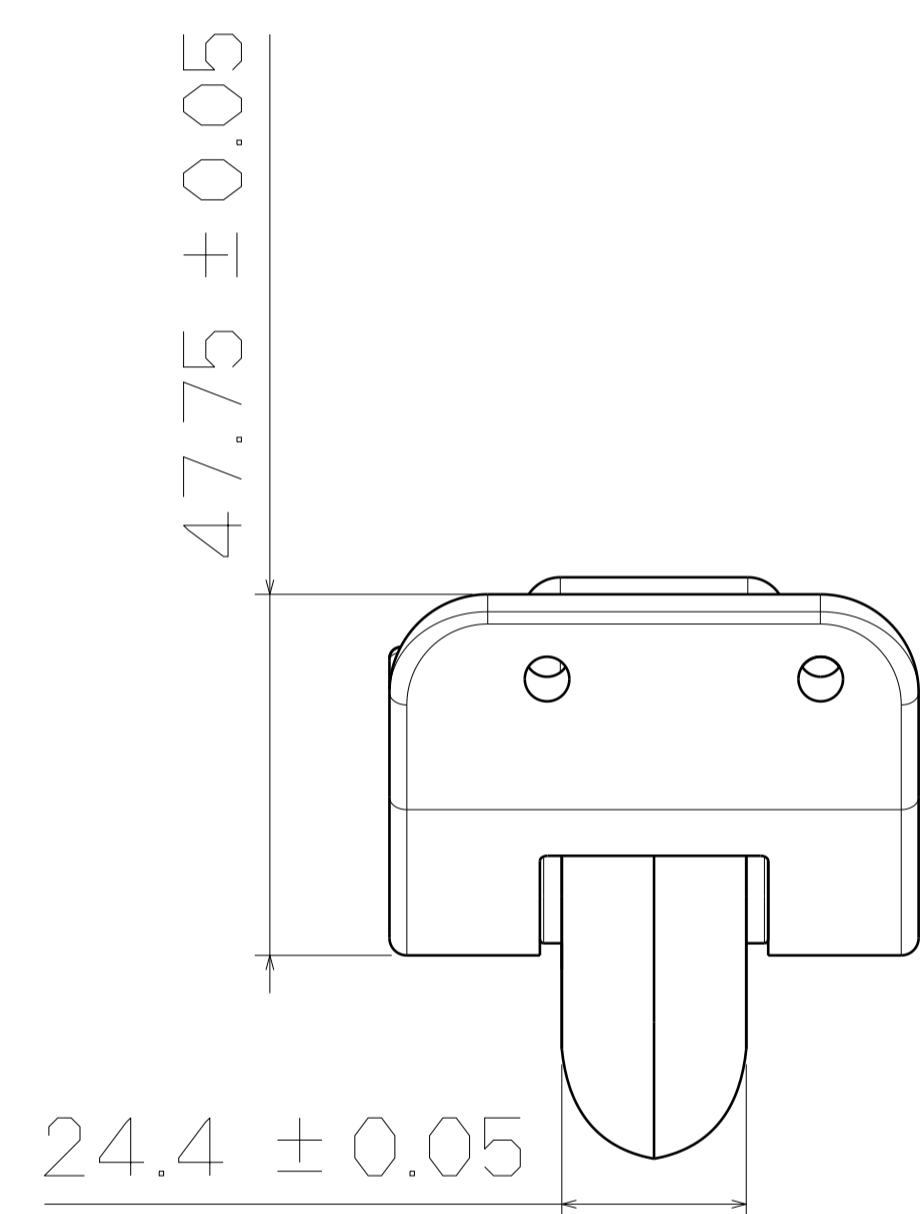
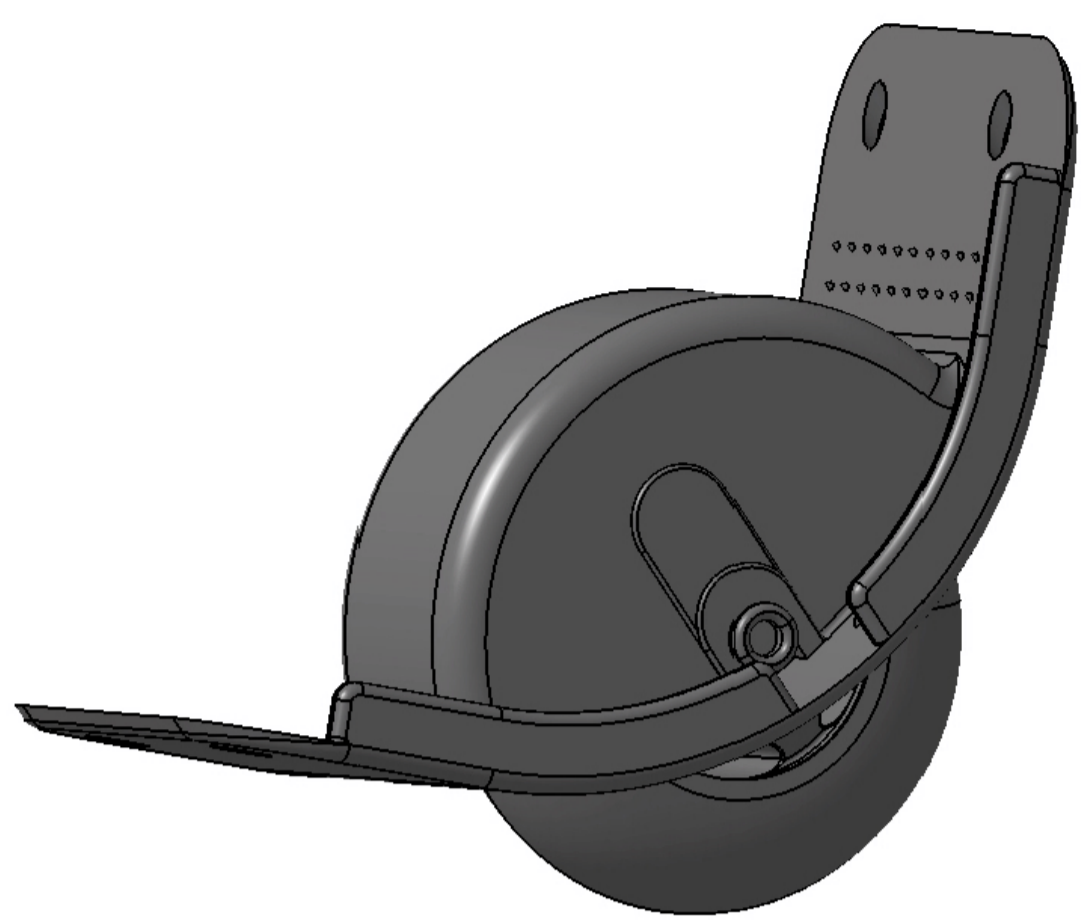


70 ± 0.05

BOTTOM VIEW



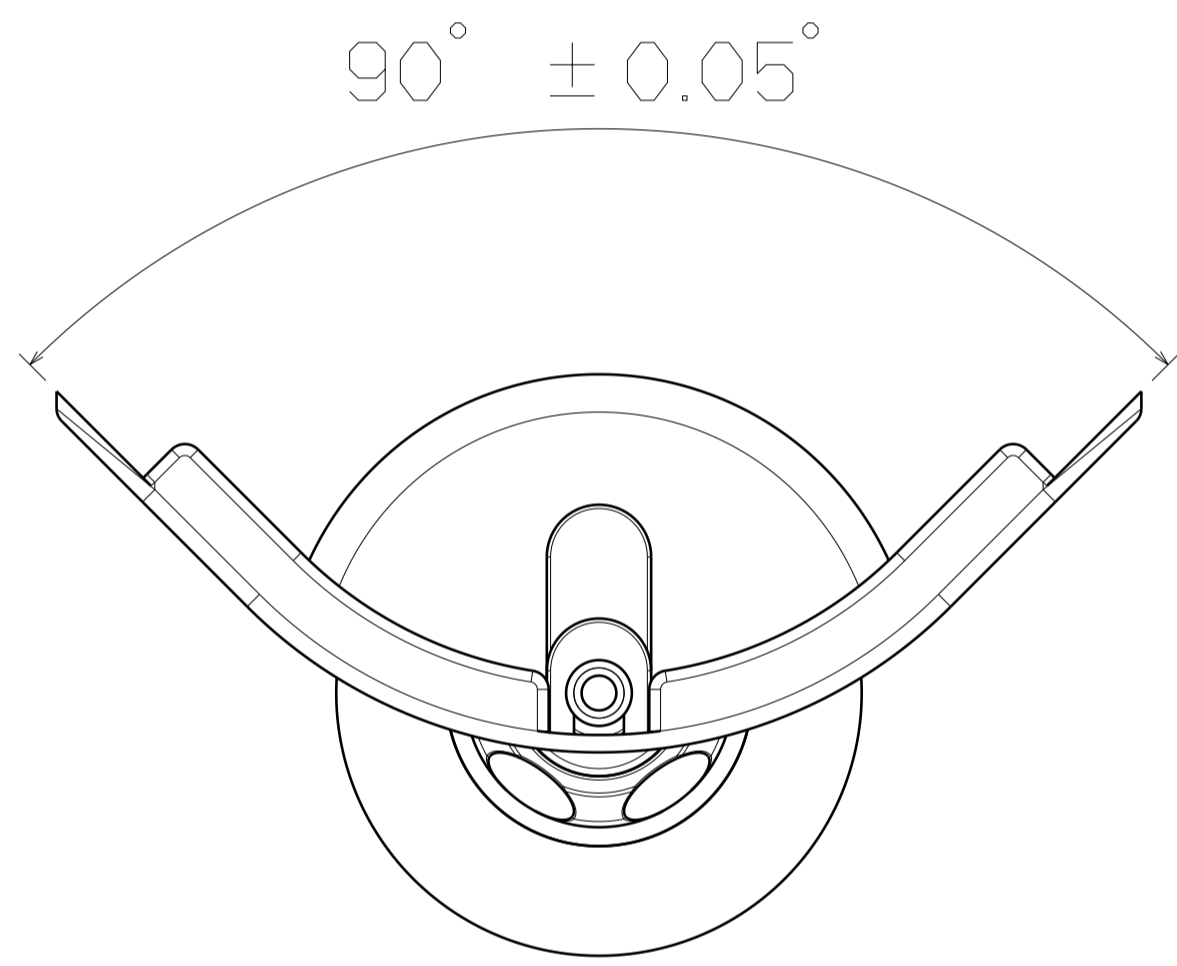
3D VIEW



47.75 ± 0.05

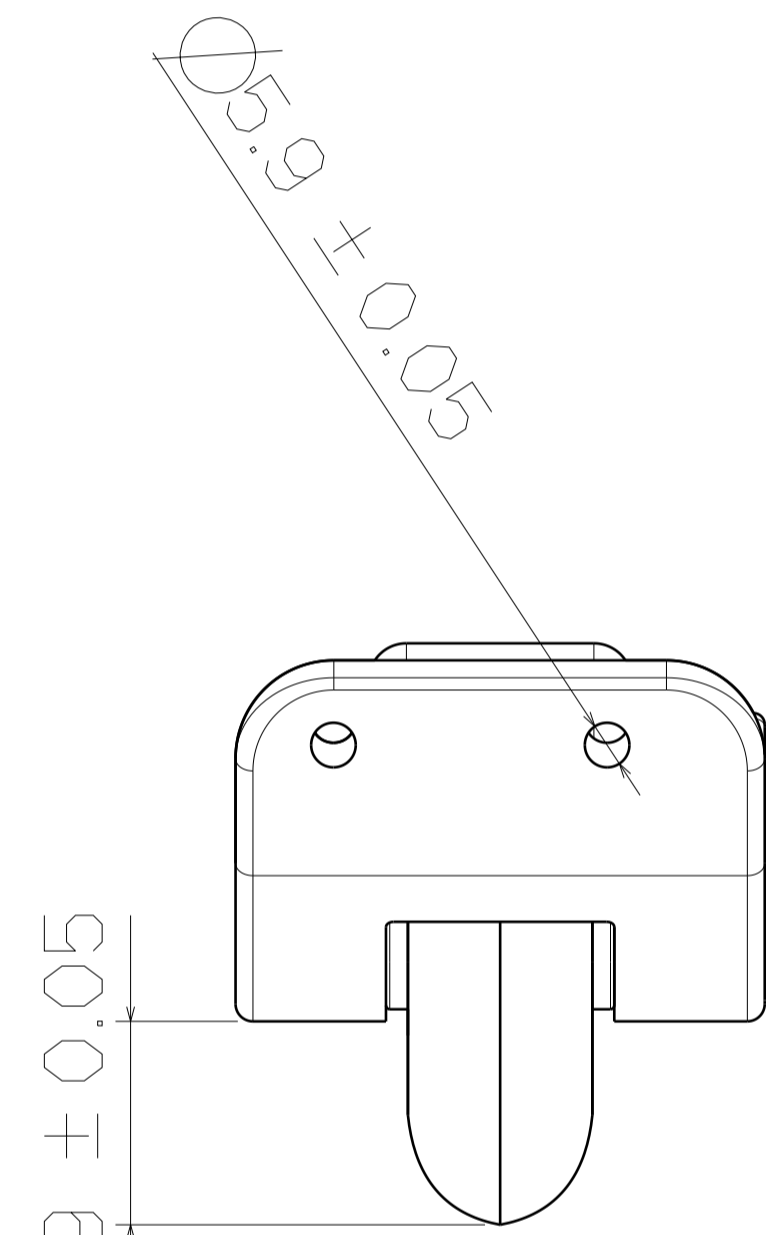
24.4 ± 0.05

RIGHT VIEW



90° ± 0.05°

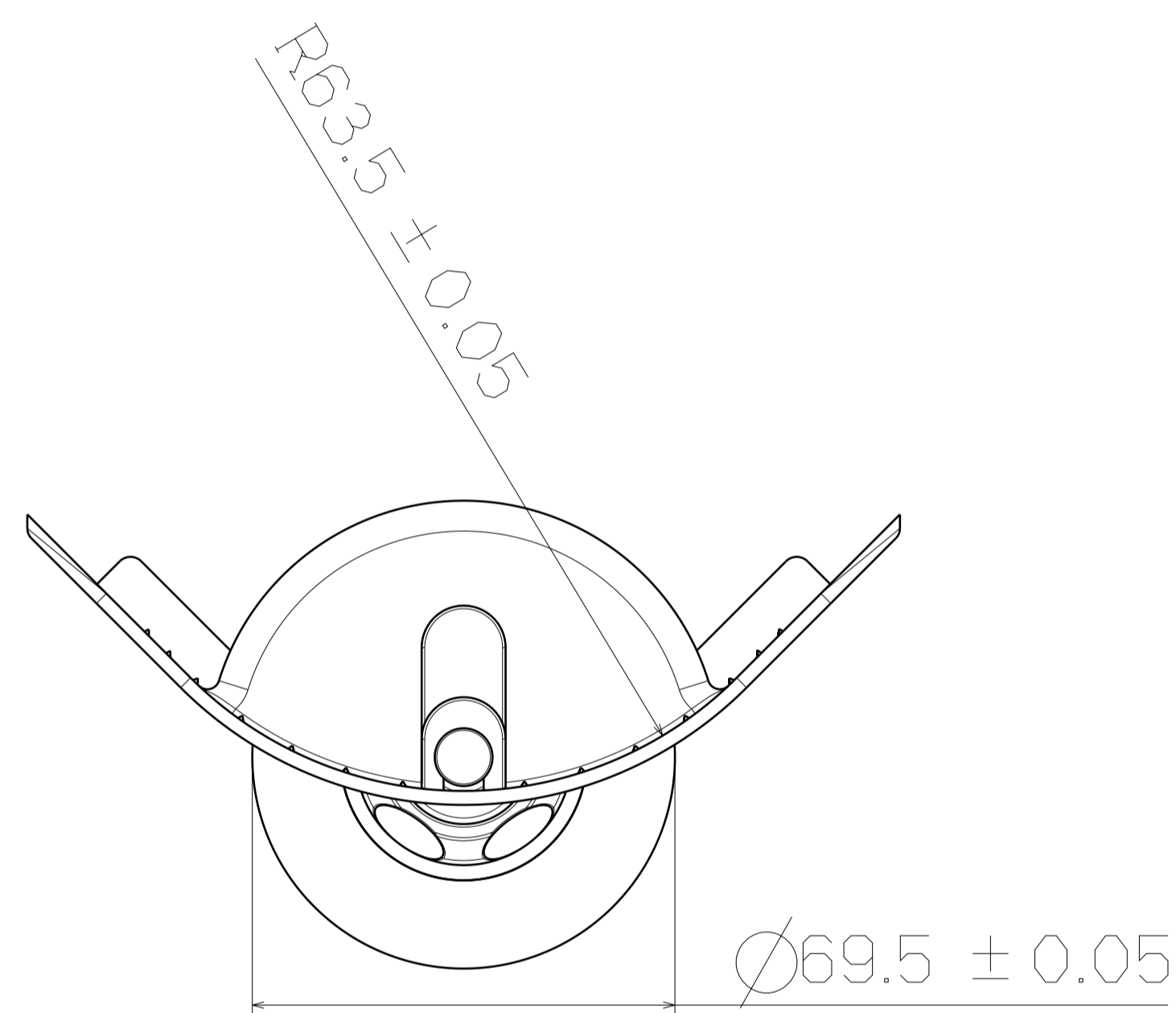
SF156-4



Ø5.9 ± 0.05

26.9 ± 0.05

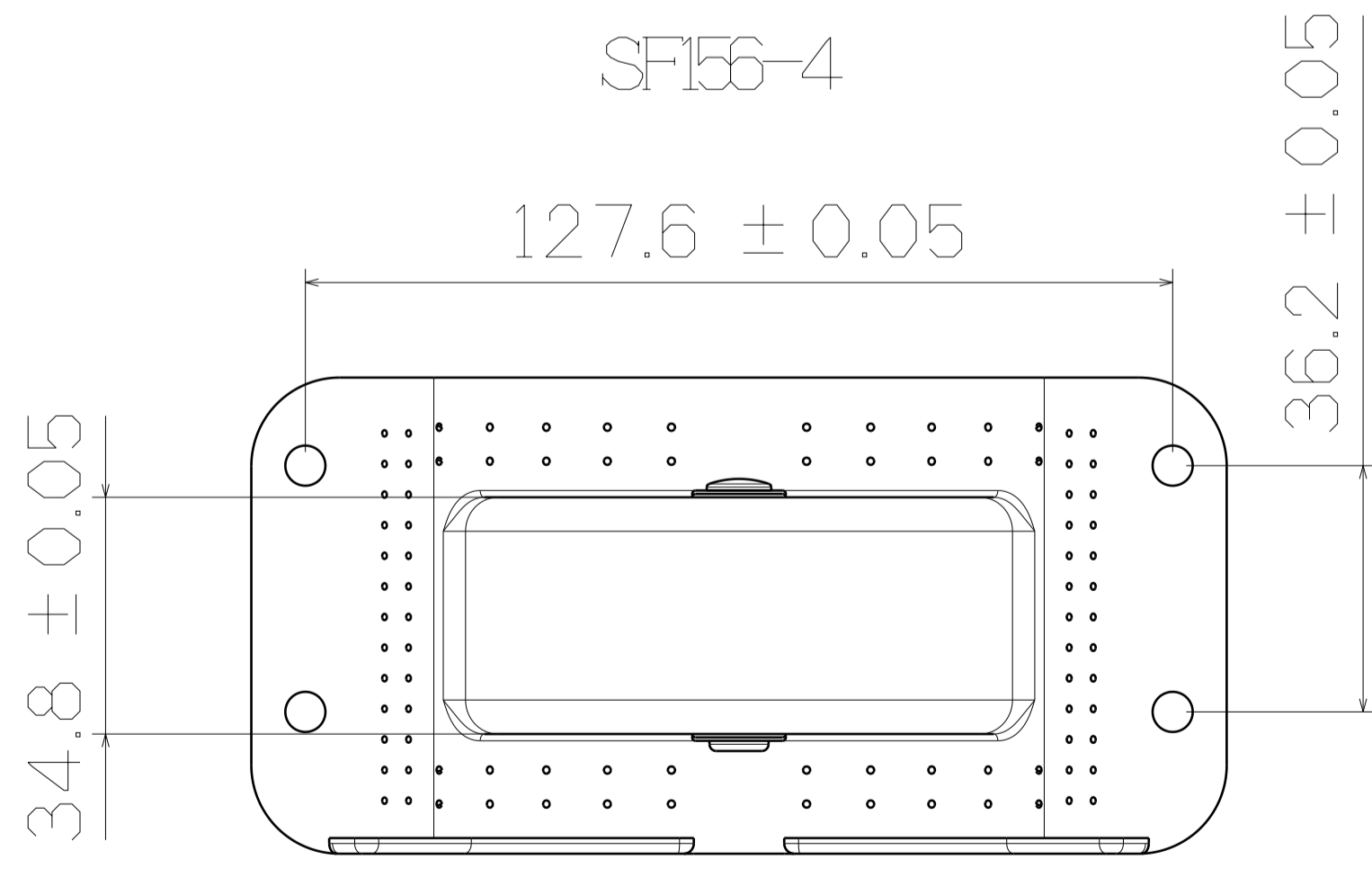
LEFT VIEW



R63.5 ± 0.05

Ø69.5 ± 0.05

BACK VIEW



127.6 ± 0.05

34.8 ± 0.05

36.2 ± 0.05

TOP VIEW

This drawing is our property. It can't be reproduced or communicated without our written agreement.			
DRAWING TITLE			
DRAWN BY	DATE	SIDE WHEEL WITH PROTECTIVE RIM	
BRIAN CHEN	1998/5/20	SIZE	DRAWING NUMBER
CHECKED BY	DATE	A1	SF156-4
JIMMY CHEN	1998/5/22	SCALE	1:1
DESIGNED BY	DATE	WHEEL SEAT: PP	WHEEL: NYLON+PVC+
RD	1998/5	BALL BEARING	SHEET 1/1

P O N M L K J I H G F E D C B A