

P O N M L K J I H G F E D C B A

8

7

6

5

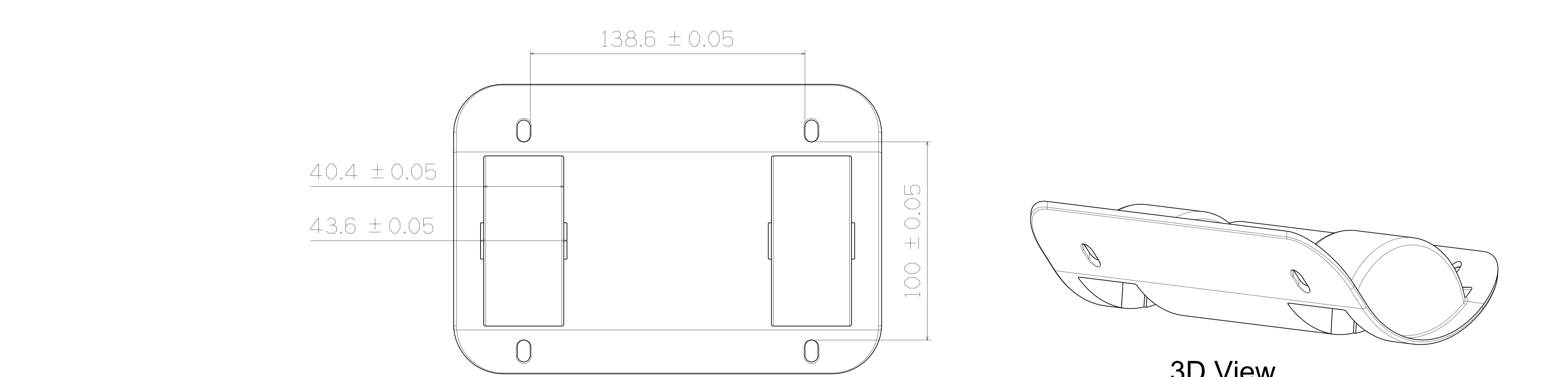
4

3

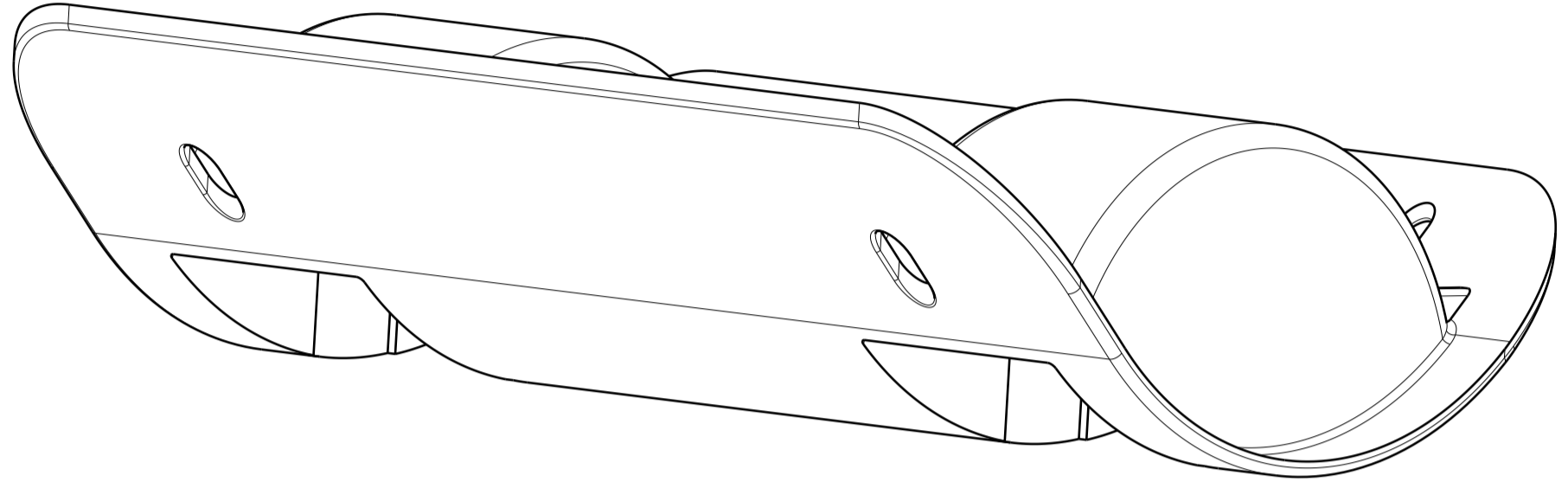
2

1

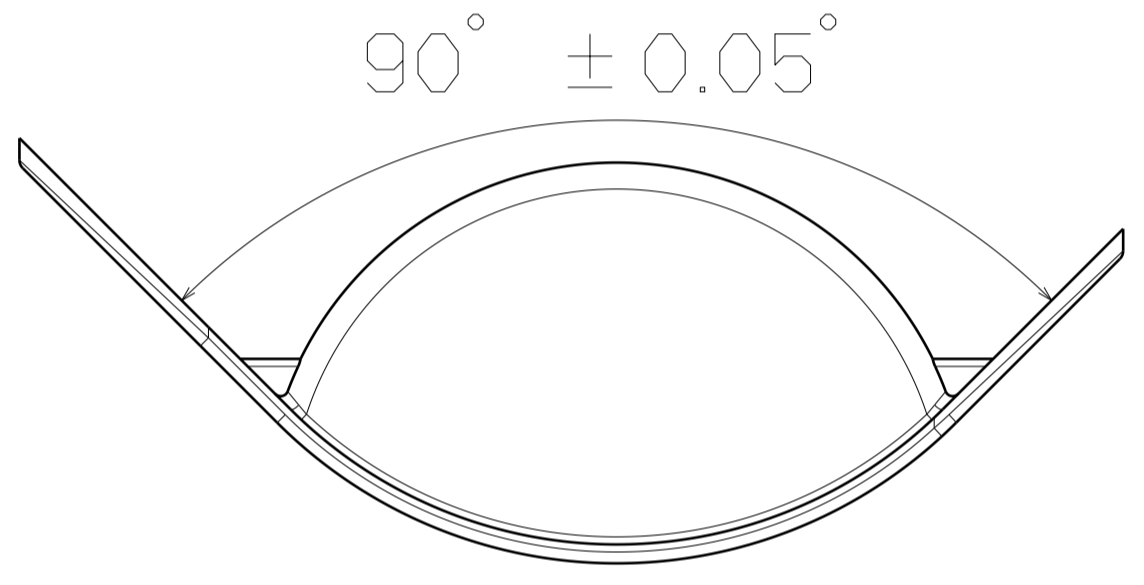
P O N M L K J I H G F E D C B A



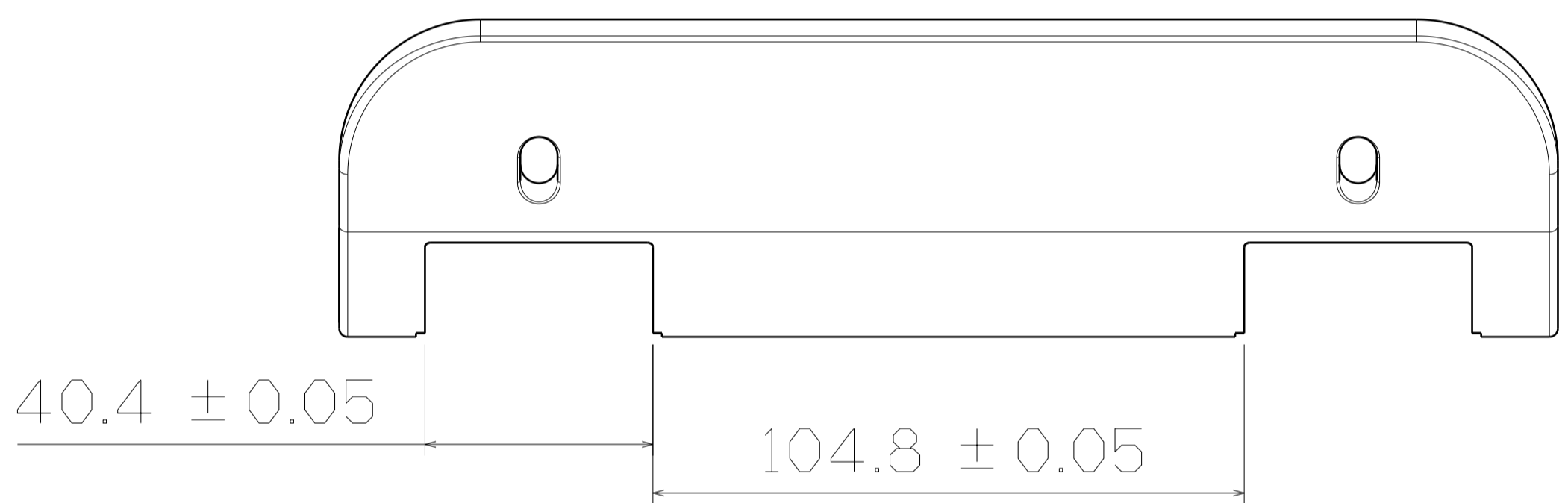
Top View



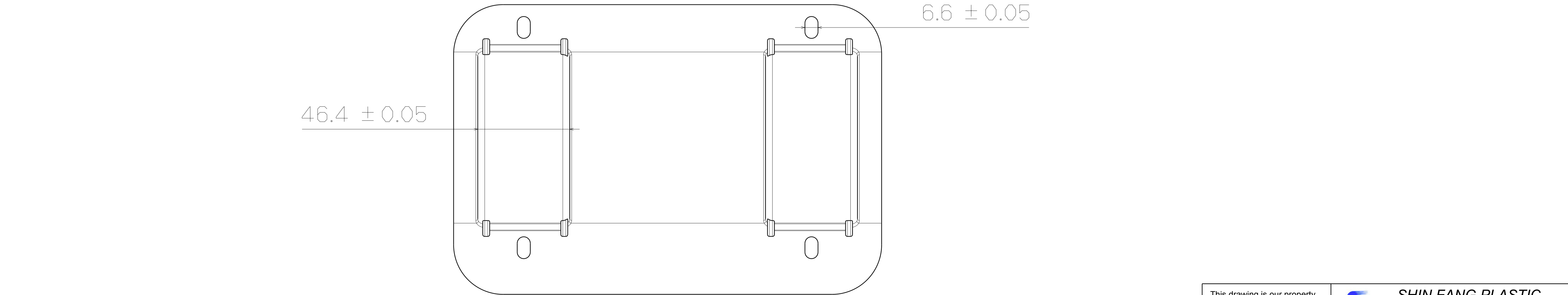
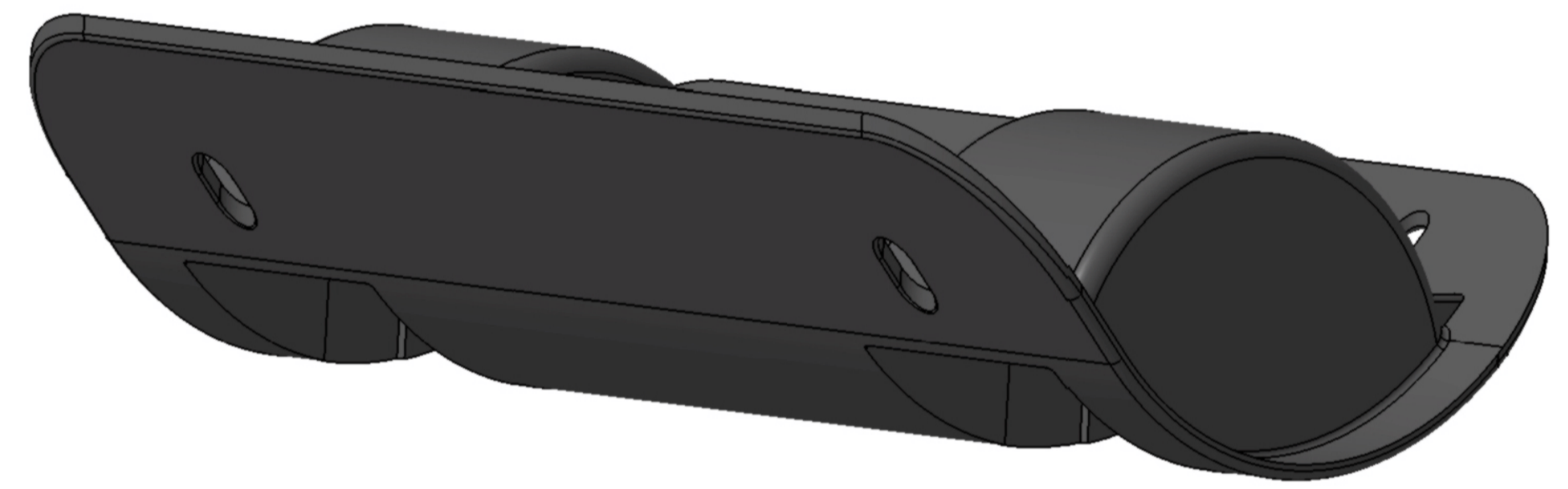
3D View



Right View



SF153-2



Bottom View

This drawing is our property. It can't be reproduced or communicated without our written agreement.					
DRAWING TITLE		Dual holes inner cover			
DRAWN BY	DATE	SIZE	DRAWING NUMBER	REV	
BRIAN CHEN	1999/1/16	A1	SF153-2	X	
CHECKED BY	DATE	SCALE	MATERIAL	PP	SHEET
JIMMY CHEN	1999/1/18	1:1	PP		1/1
DESIGNED BY	DATE				
RD	1999/1				