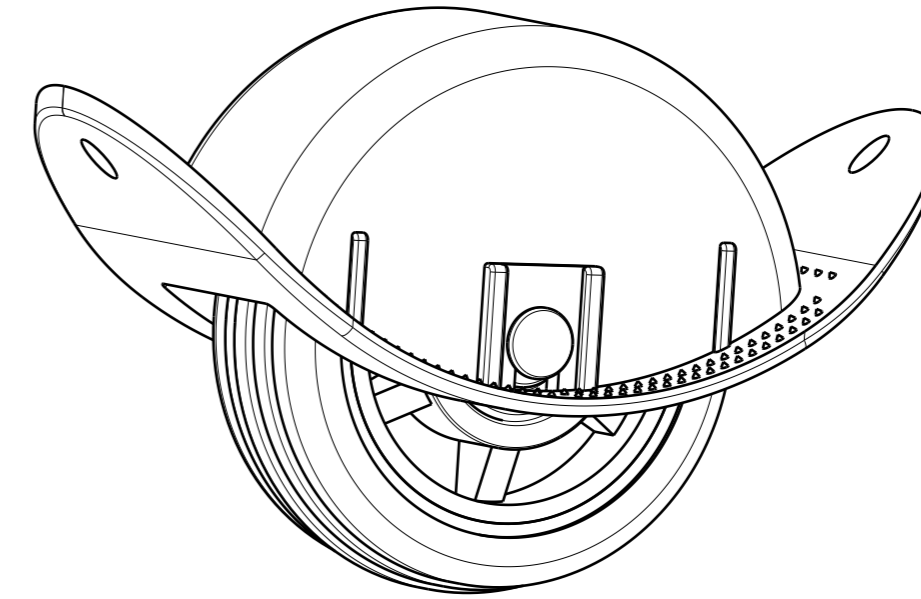
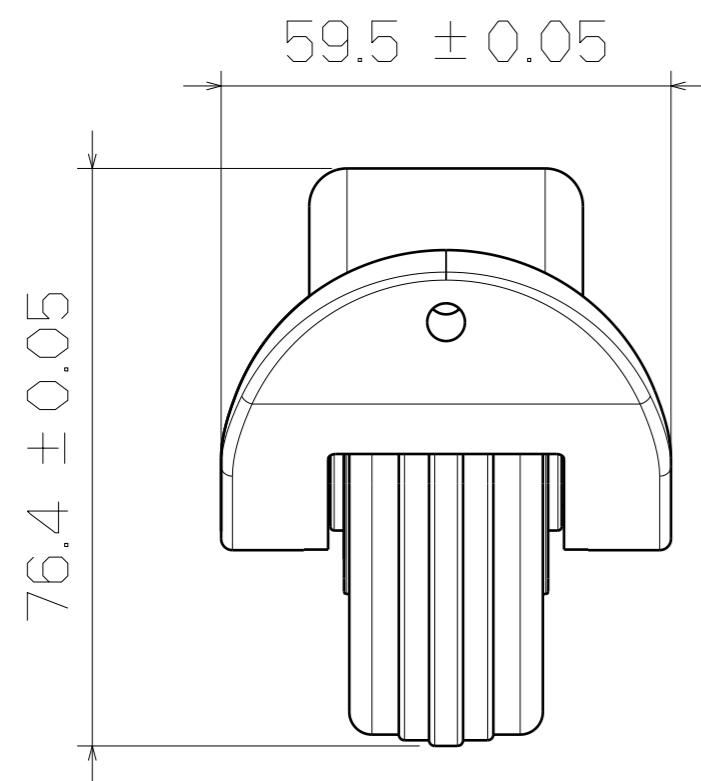


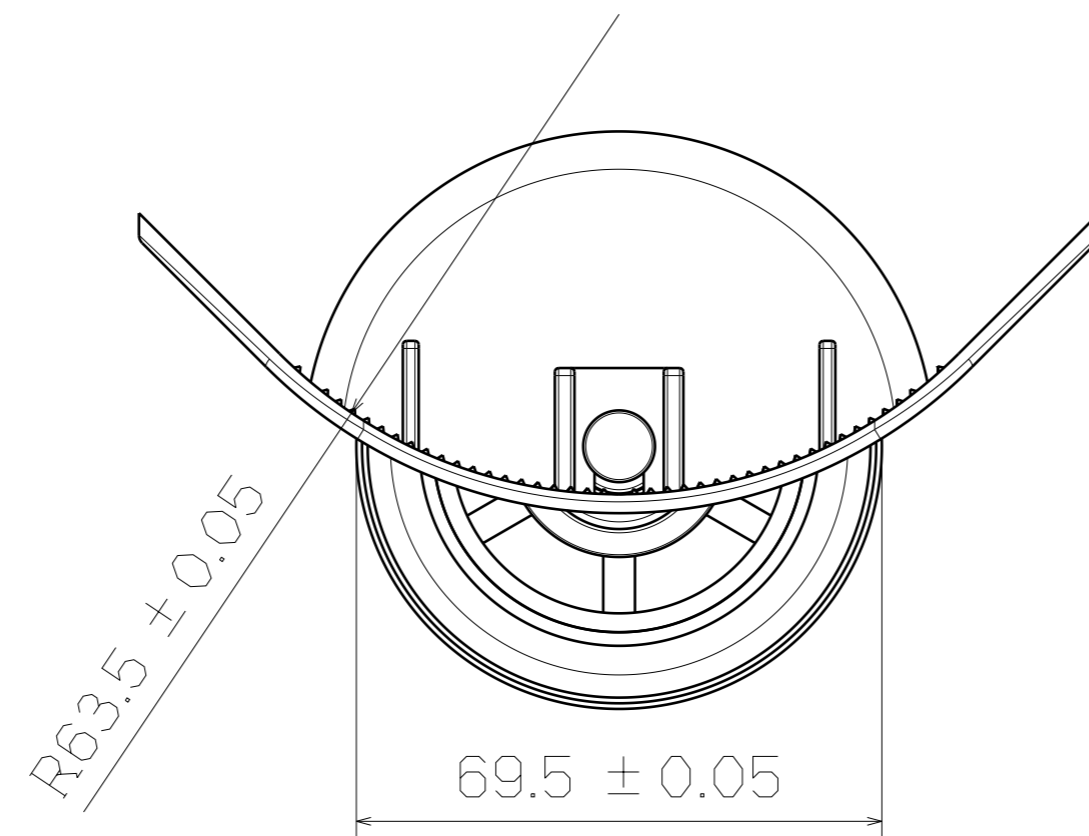
Top View



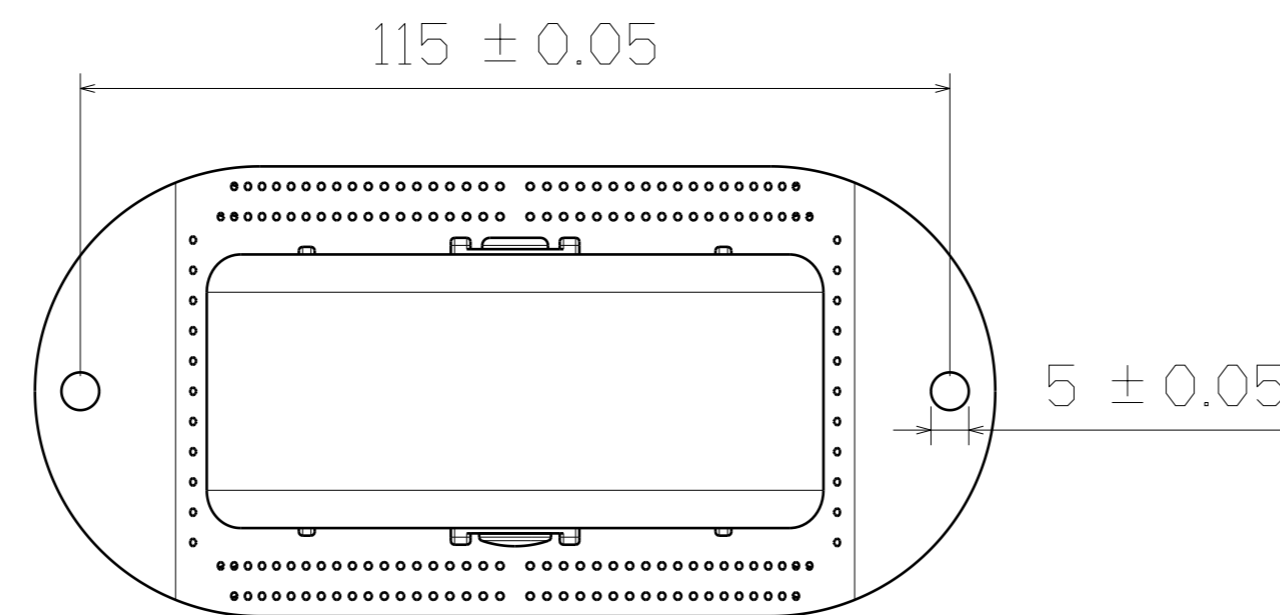
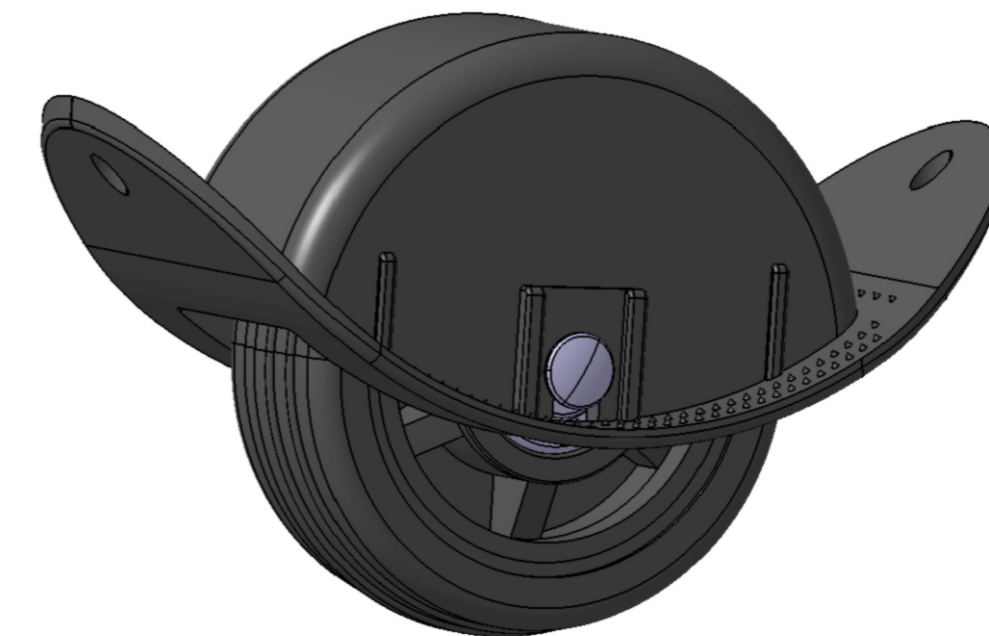
3D View




Right View



SF152-3



Bottom View

This drawing is our property. It can't be reproduced or communicated without our written agreement.		 SHIN FANG PLASTIC INDUSTRIAL CO., LTD.			
DRAWN BY		DATE		DRAWING TITLE	
BRIAN CHEN		1998/12/2		Side Wheel	
CHECKED BY		DATE		SIZE	DRAWING NUMBER
JIMMY CHEN		1998/12/5		A2	SF152-3
DESIGNED BY		DATE		SCALE	1:1
RD		1998/12		WHEEL SEAT: PP WHEEL: NYLON+PVC+ BALL BEARING	SHEET 1/1