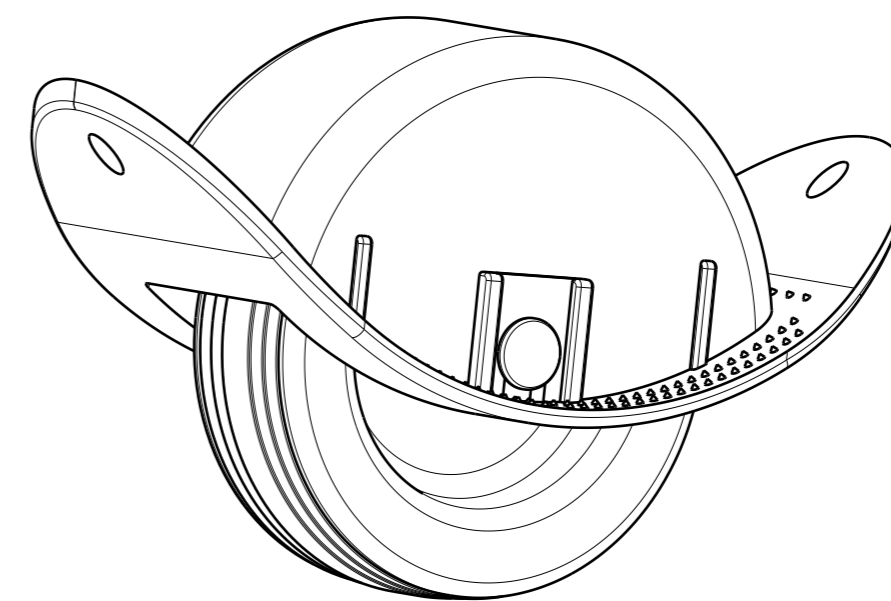
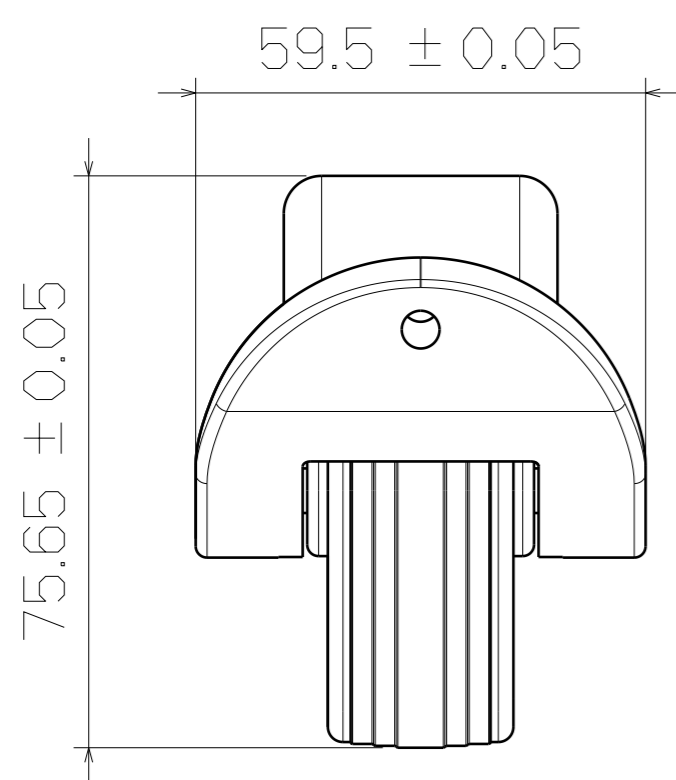


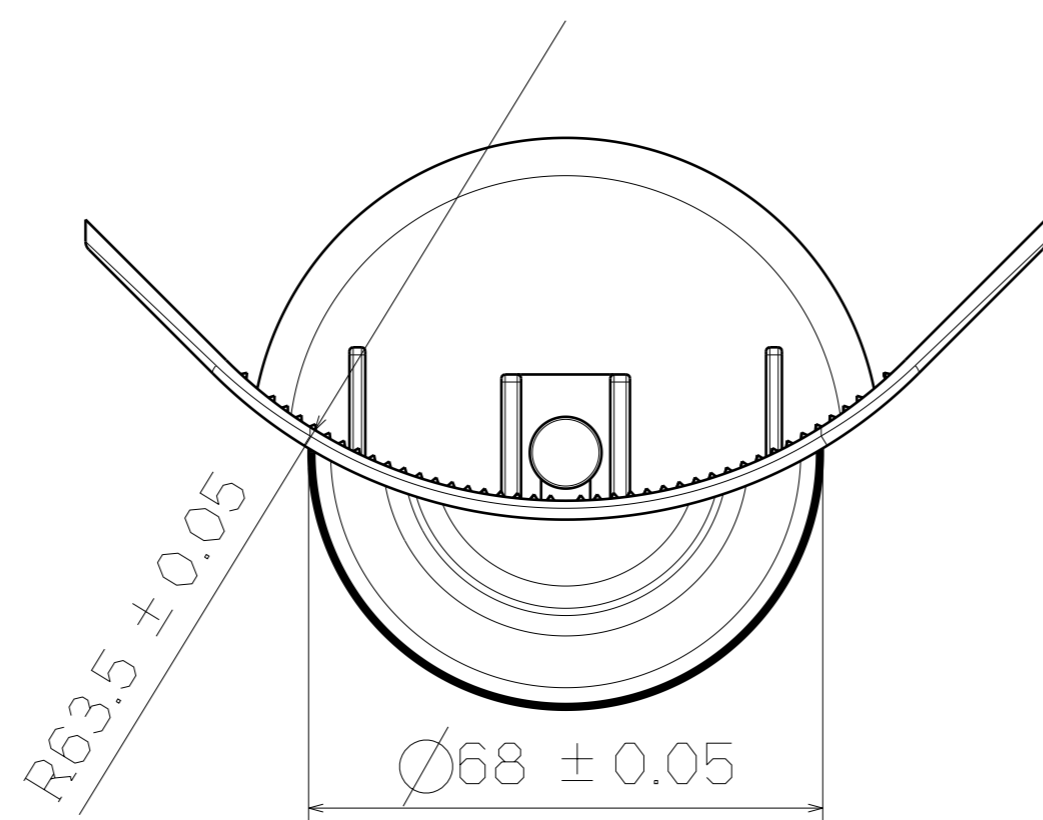
Top View



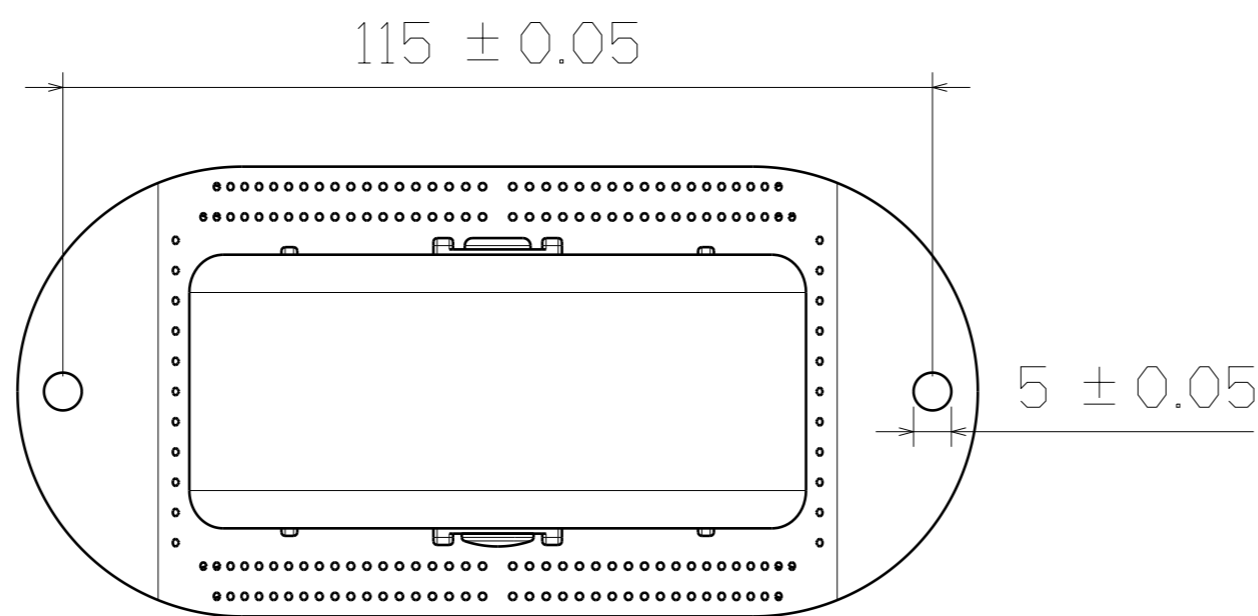
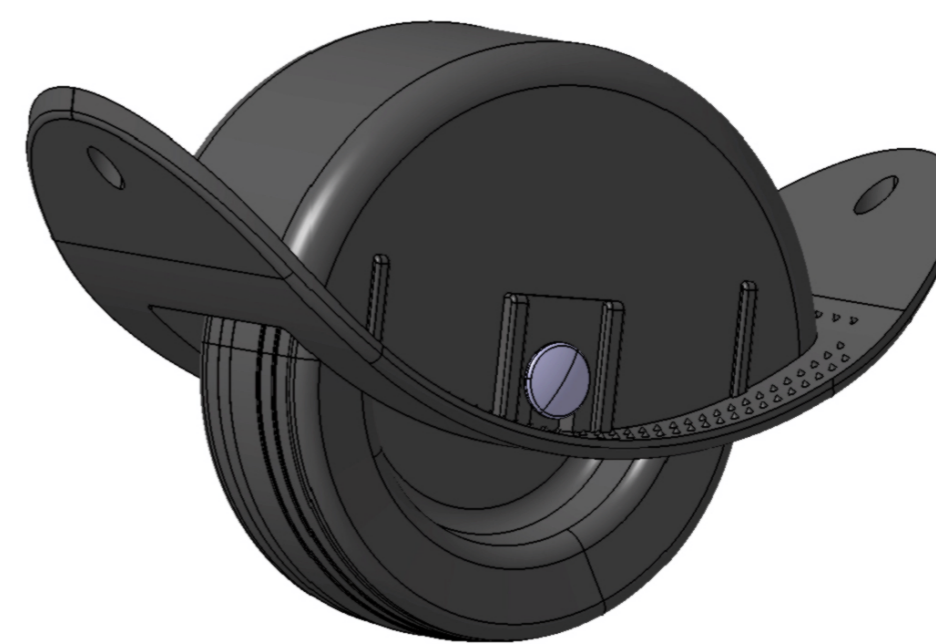
3D View



Right View



SF152-1



Bottom View

This drawing is our property.
It can't be reproduced
or communicated without
our written agreement.

**SHIN FANG PLASTIC
INDUSTRIAL CO., LTD.**

DRAWN BY	DATE
BRIAN CHEN	1998/11/9
CHECKED BY	DATE
JIMMY CHEN	1998/11/12
DESIGNED BY	DATE
RD	1998/11

DRAWING TITLE			
Side Wheel			
SIZE	DRAWING NUMBER	REV	
A2	SF152-1	X	
SCALE	1:1	WHEEL SEAT: PP WHEEL: NYLON	SHEET 1/1