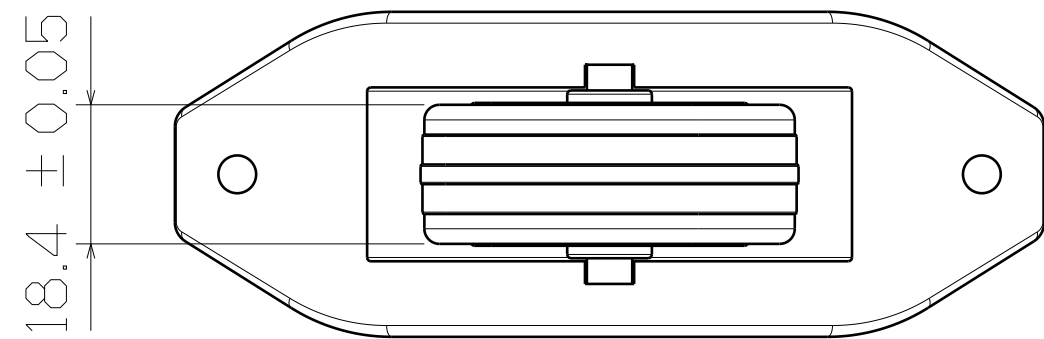
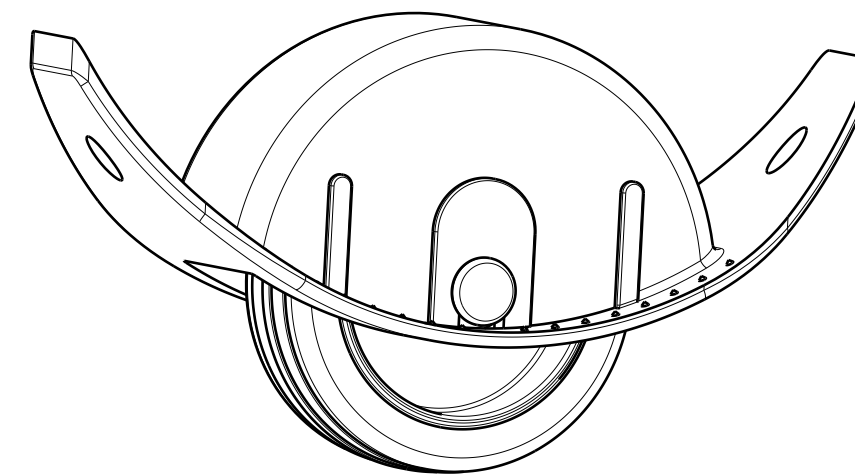


H G F E D C B A

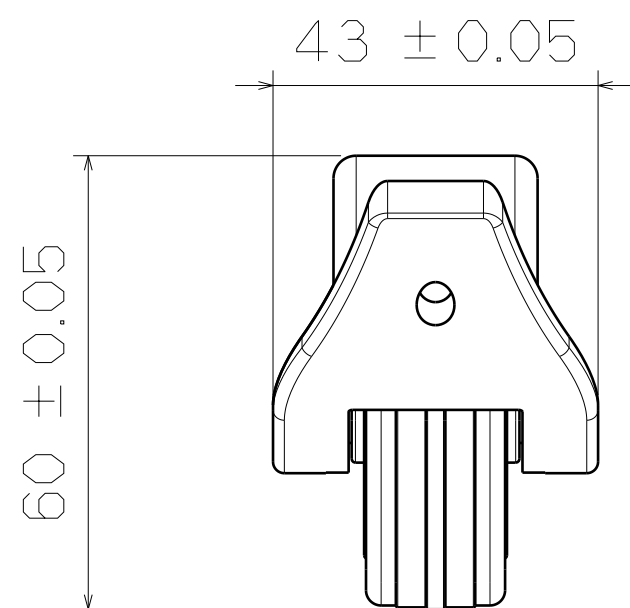
8 7 6 5 4 3 2 1



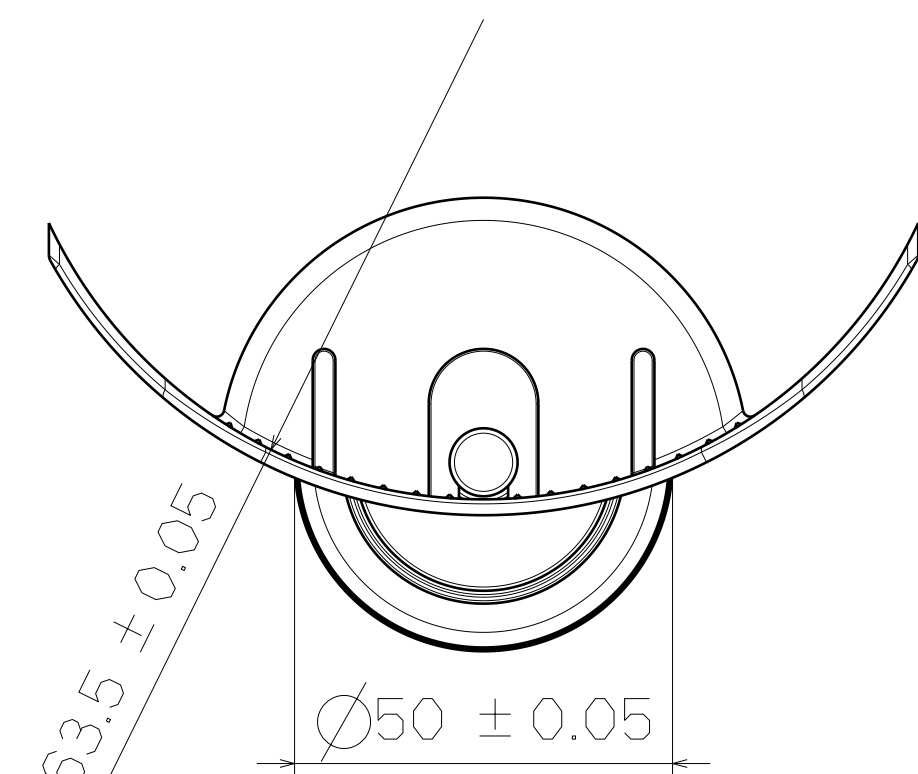
Top View



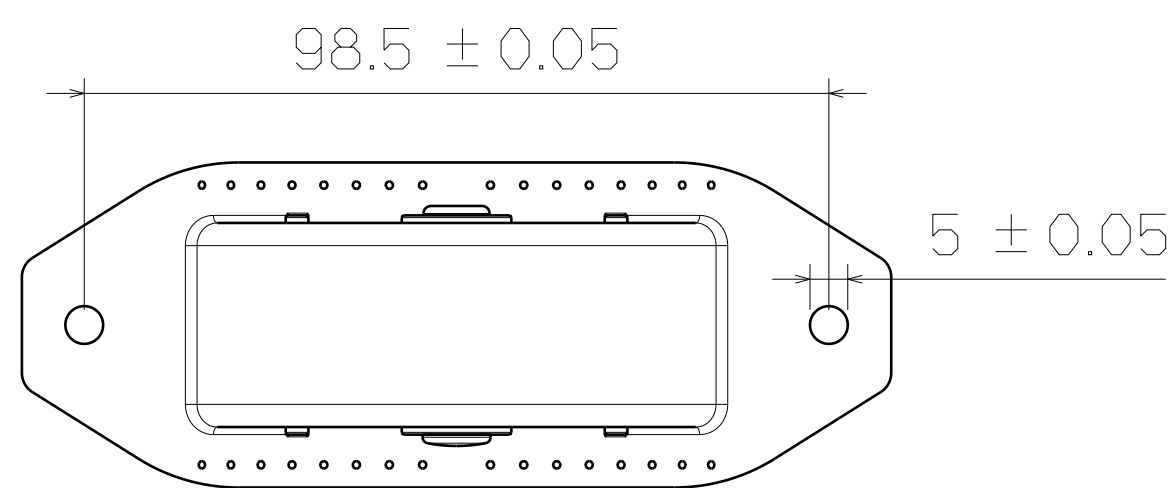
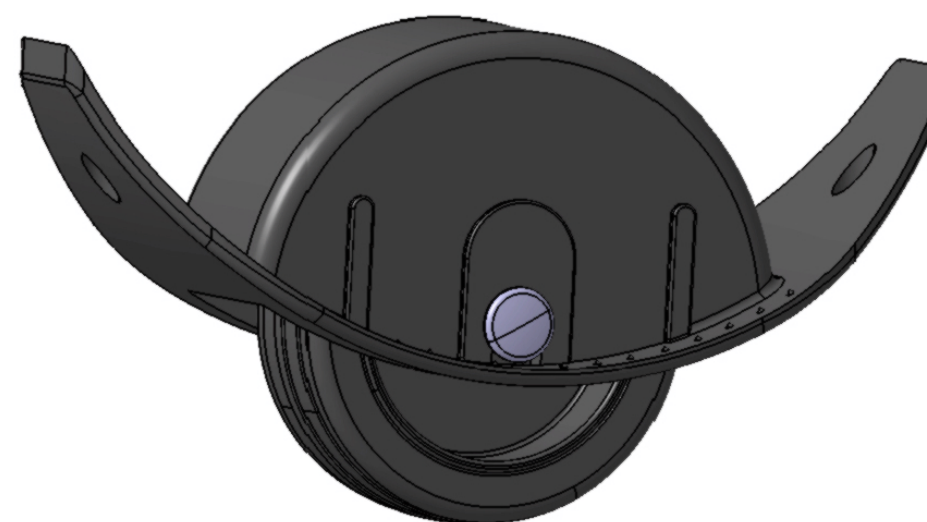
3D View



Right View



SF150



Bottom View

This drawing is our property.  
It can't be reproduced  
or communicated without  
our written agreement.



DRAWN BY		DATE		DRAWING TITLE		
BRIAN CHEN		1998/10/2		Side Wheel		
CHECKED BY		DATE		SIZE	DRAWING NUMBER	REV
JIMMY CHEN		1998/10/3		A2	SF150	X
DESIGNED BY		DATE		SCALE	1:1	WHEEL SEAT: PP WHEEL: NYLON
RD		1998/10		SHEET	1/1	

H G F E D C B A