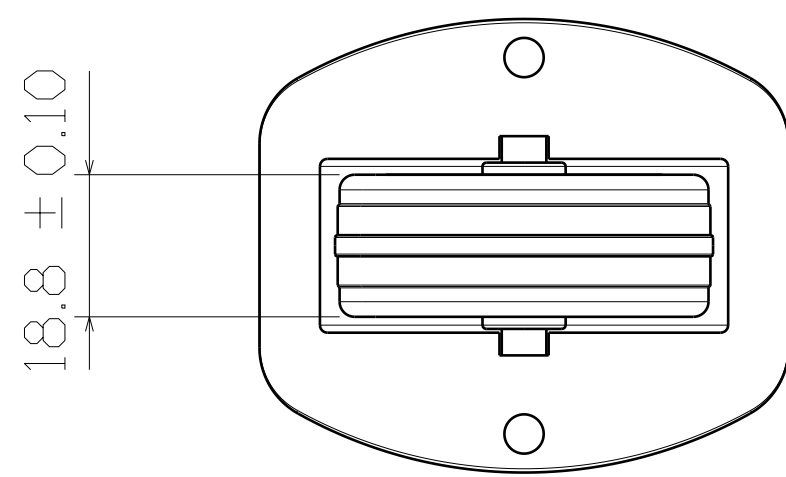
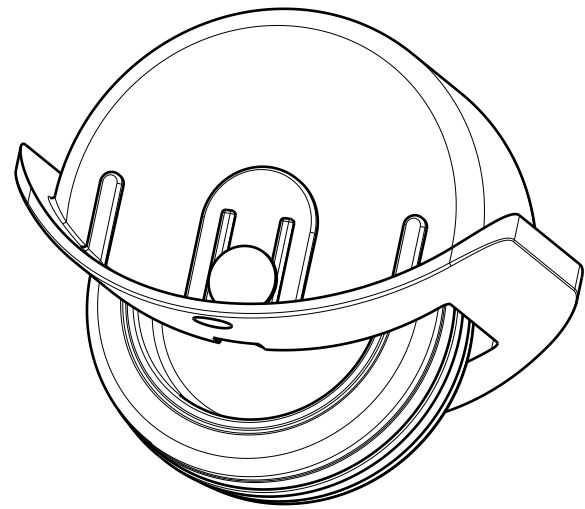


H G F E D C B A

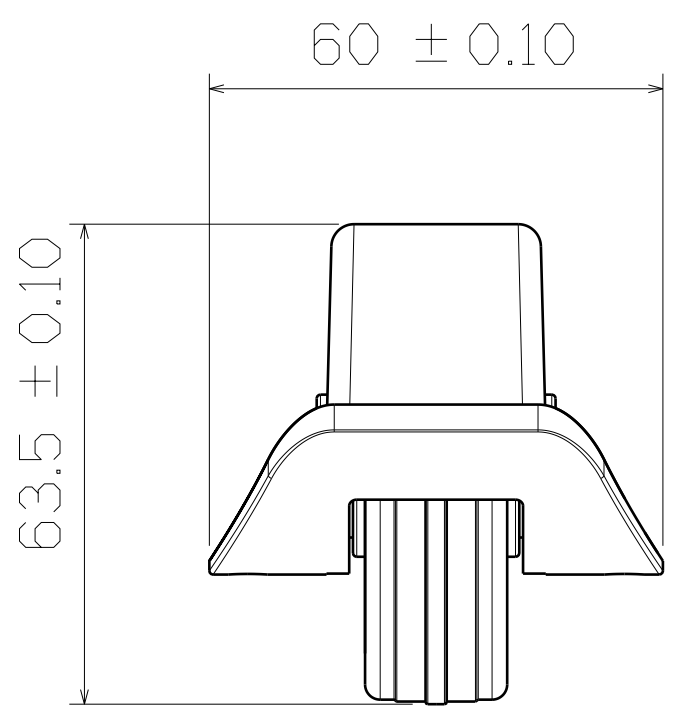
8 7 6 5 4 3 2 1



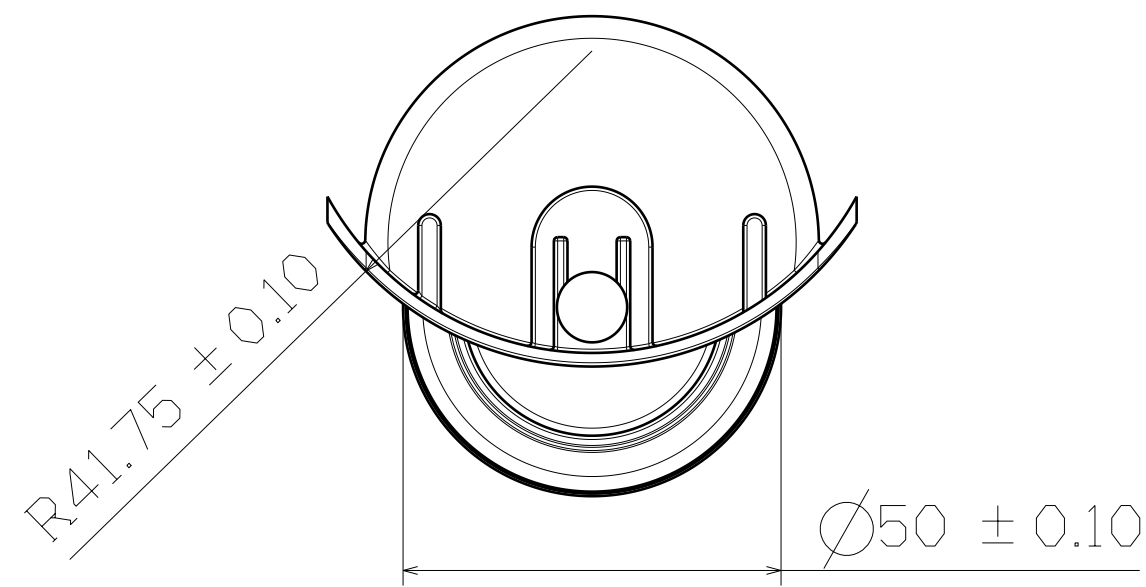
Top View



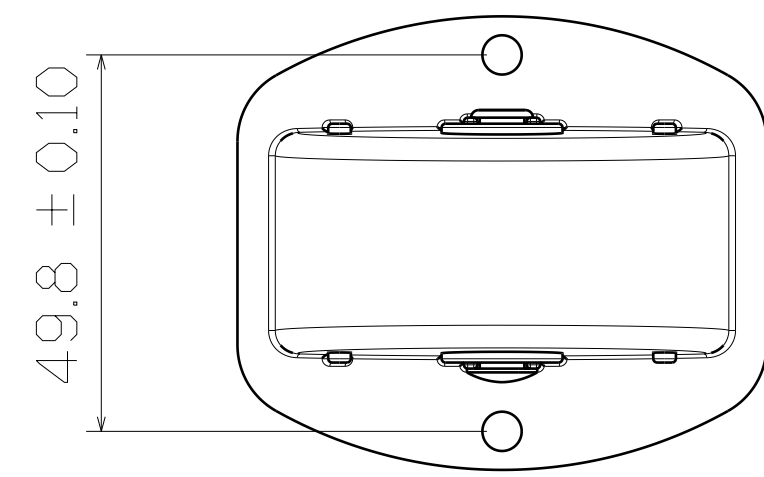
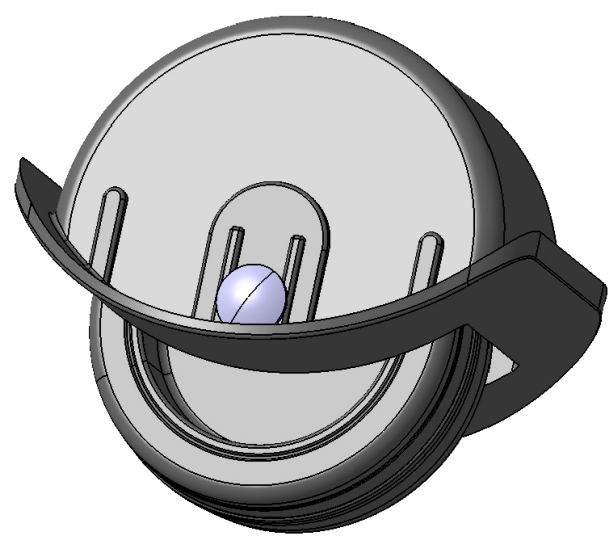
3D View




Right View



SF150-1



Bottom View

This drawing is our property. It can't be reproduced or communicated without our written agreement.		 <b>SHIN FANG PLASTIC INDUSTRIAL CO., LTD.</b>			
DRAWN BY		DATE		DRAWING TITLE	
BRIAN CHEN		20010809		Side Wheel	
CHECKED BY		DATE		SIZE	DRAWING NUMBER
JIMMY CHEN		20010809		A2	SF150-1
DESIGNED BY		DATE		SCALE	MATERIAL
RD		XXX		1:1	XXX
				SHEET	1/1

H G F E D C B A