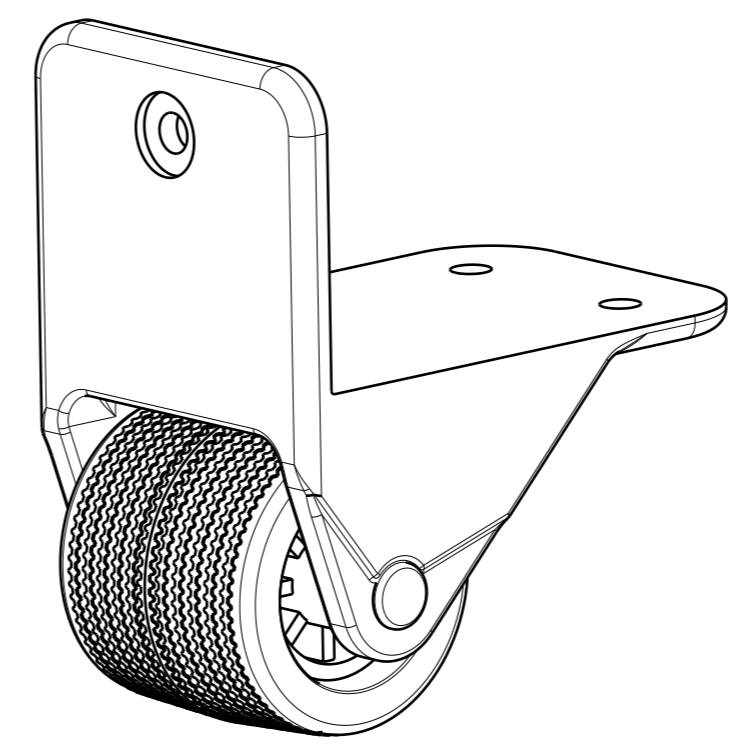
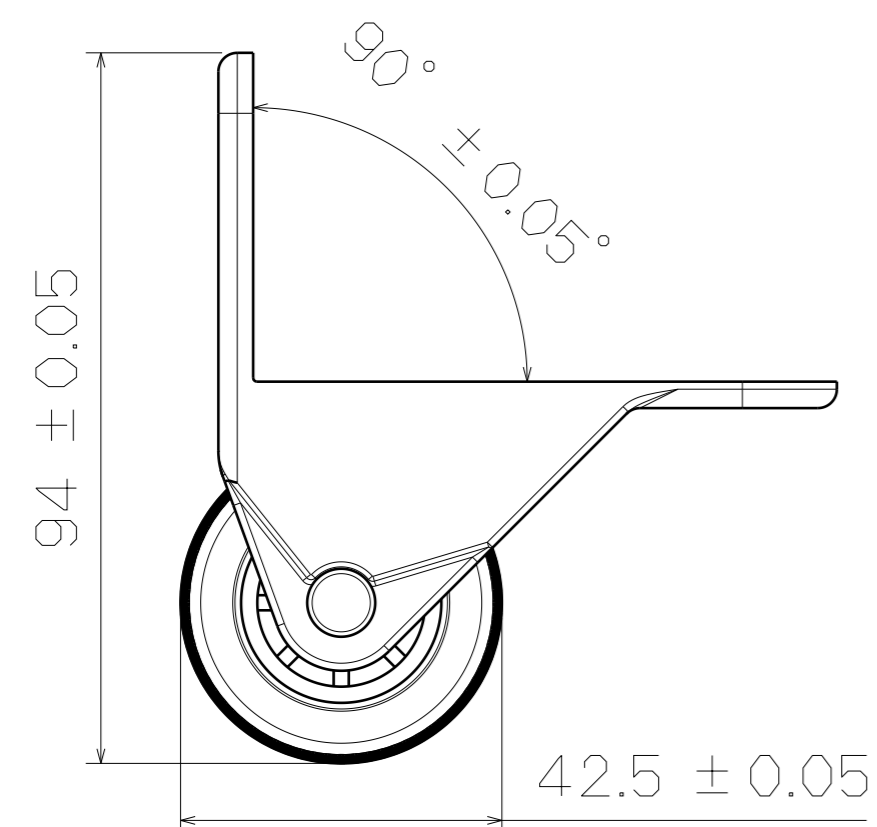


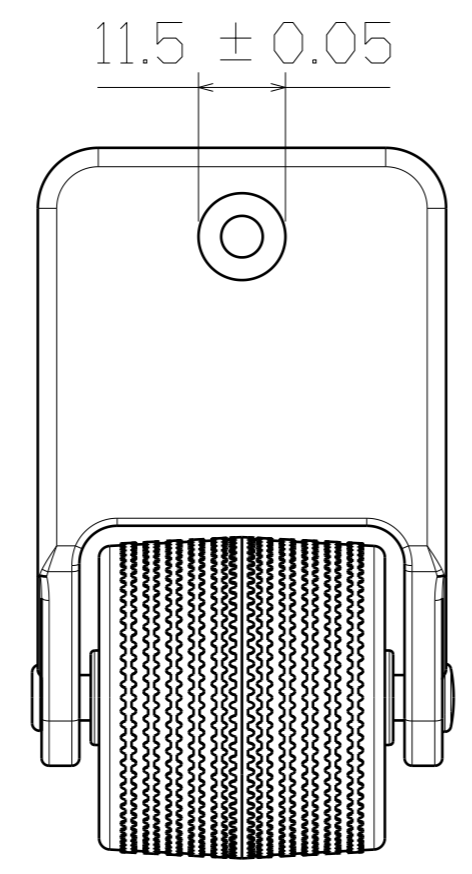
Top View



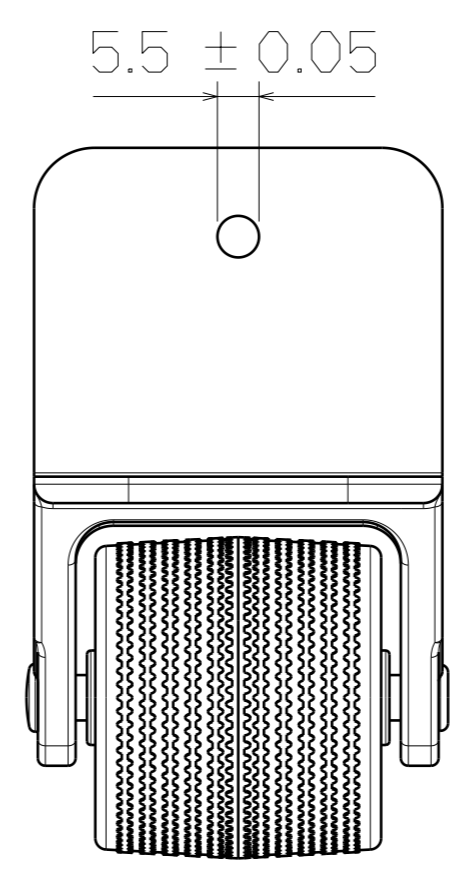
3D View



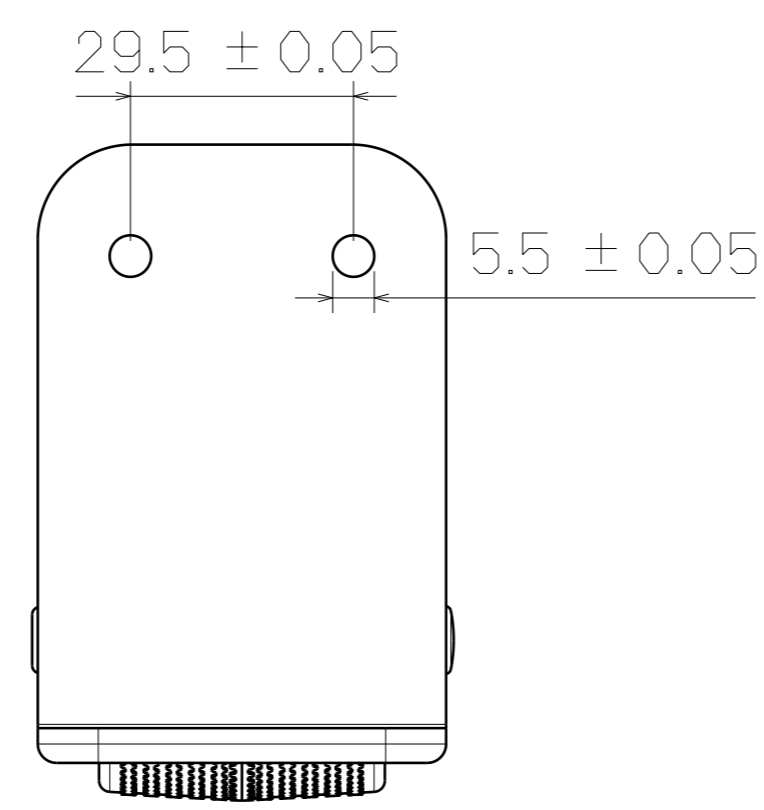
Right View



SF144



Back View



Bottom View

This drawing is our property.
It can't be reproduced
or communicated without
our written agreement.



DRAWN BY		DATE		DRAWING TITLE		
BRIAN CHEN		1998/8/1		Right Angle Side Wheel		
CHECKED BY		DATE		SIZE	DRAWING NUMBER	REV
JIMMY CHEN		1998/8/3		A2	SF144	X
DESIGNED BY		DATE		SCALE	1:1	WHEEL SEAT: PP WHEEL: NYLON+PVC
RD		1998/8		SHEET	1/1	