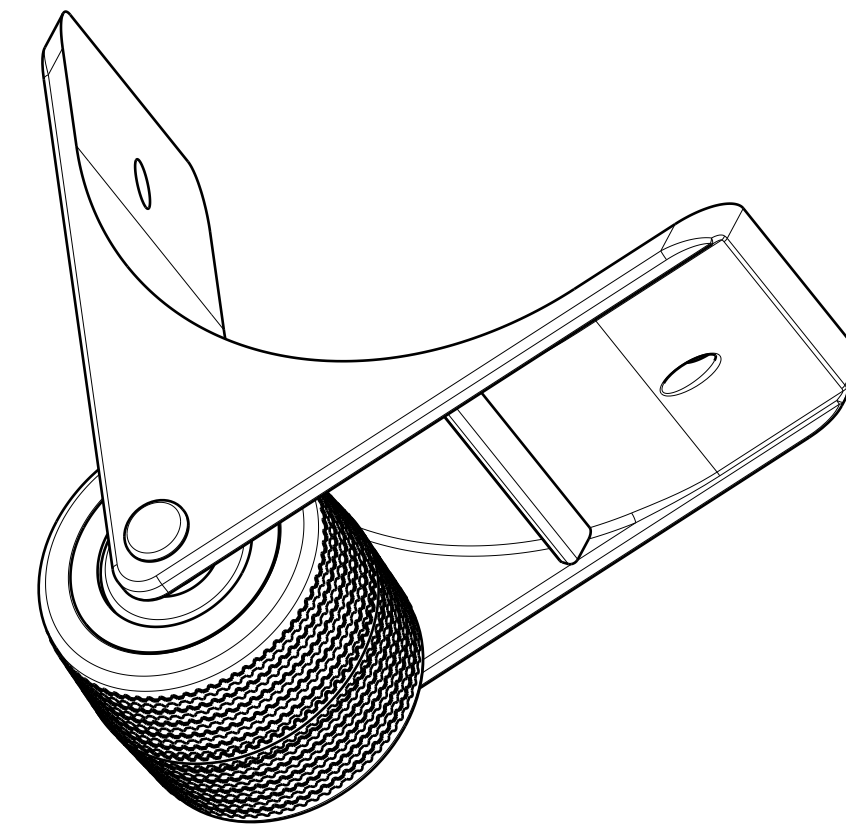
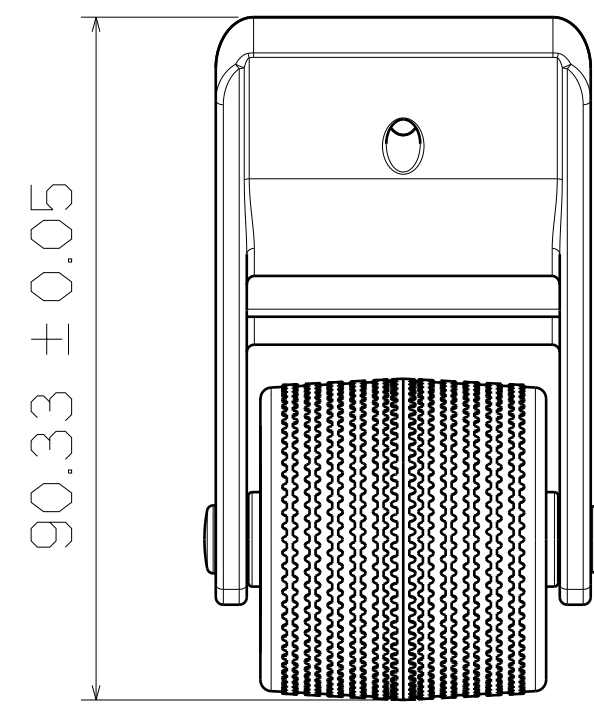


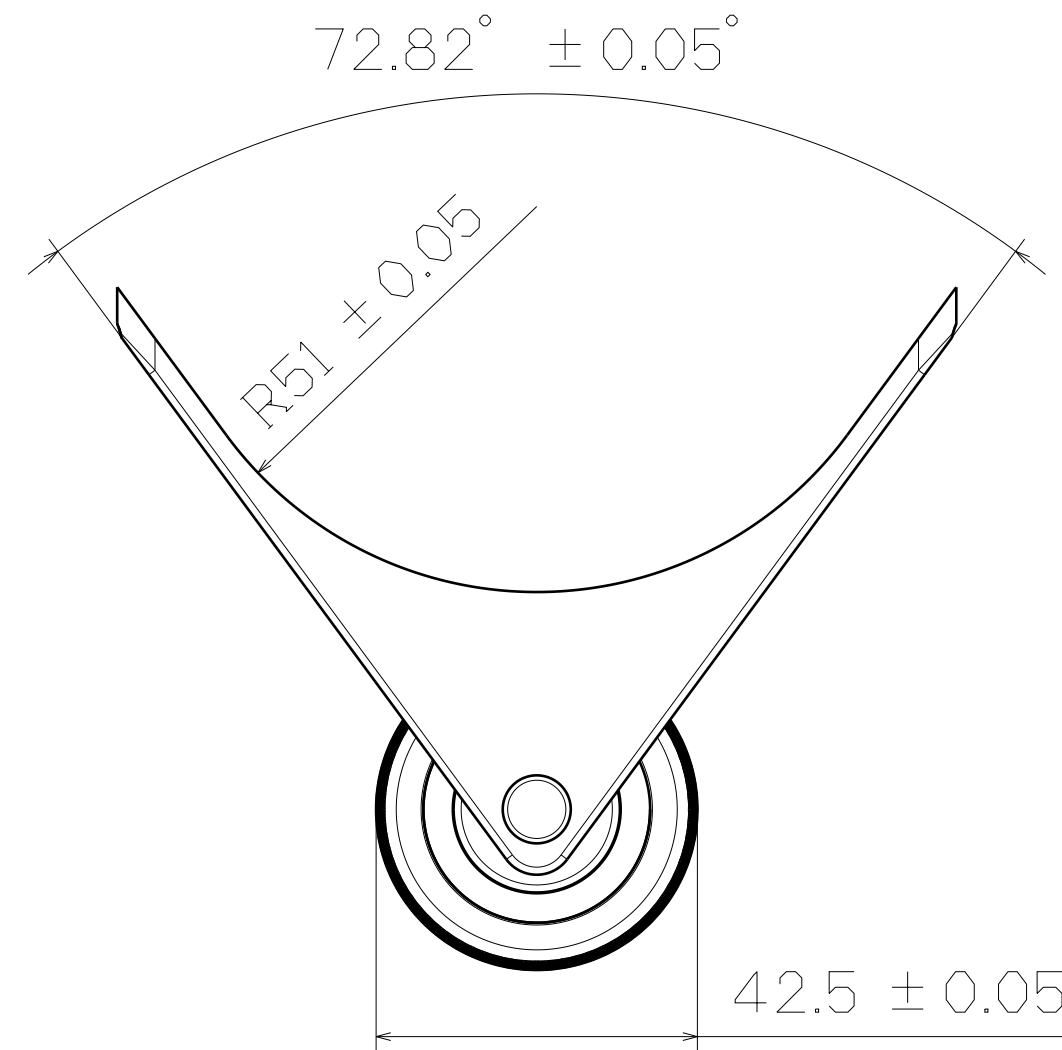
Top View



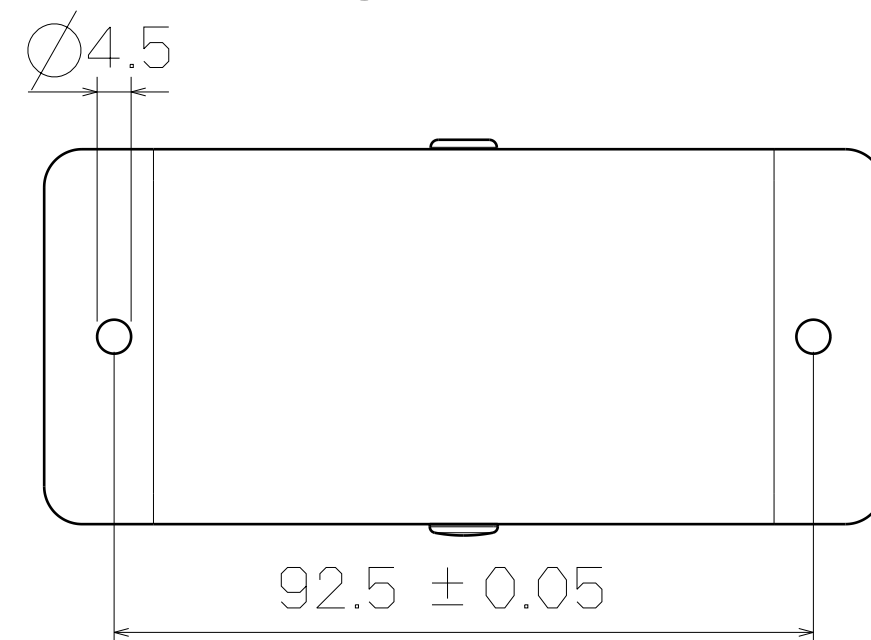
3D View



Right View



SF141



Bottom View

This drawing is our property.
It can't be reproduced
or communicated without
our written agreement.

SHIN FANG PLASTIC INDUSTRIAL CO., LTD.

DRAWN BY		DATE		DRAWING TITLE		
BRIAN CHEN		1998/6/23		Side Wheel		
CHECKED BY		DATE		SIZE	DRAWING NUMBER	REV
JIMMY CHEN		1998/6/25		A2	SF141	X
DESIGNED BY		DATE		SCALE	1:1	WHEEL SEAT: PP WHEEL: NYLON+PVC+ BALL BEARING
RD		1998/6		SHEET	1/1	