

H

G

F

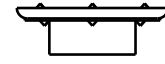
E

D

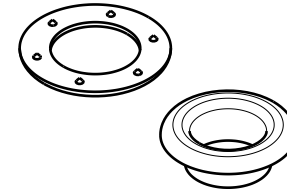
C

B

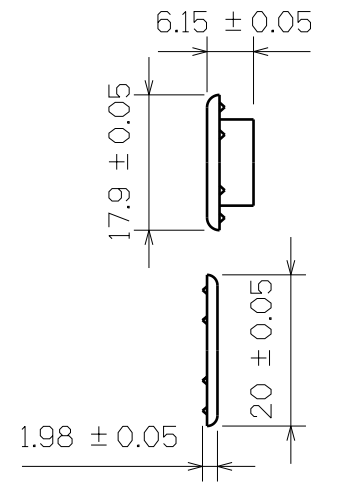
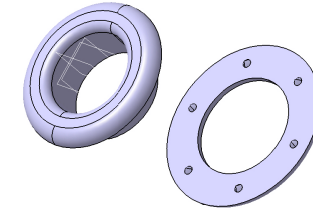
A



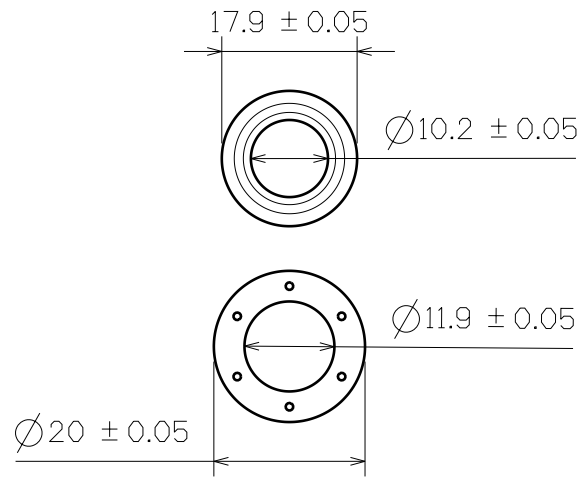
BOTTOM VIEW



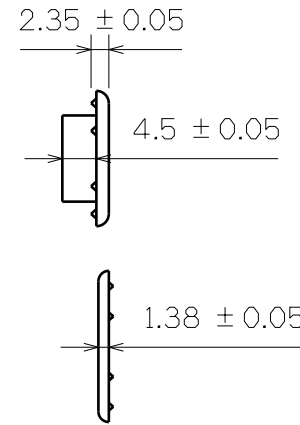
3D VIEW



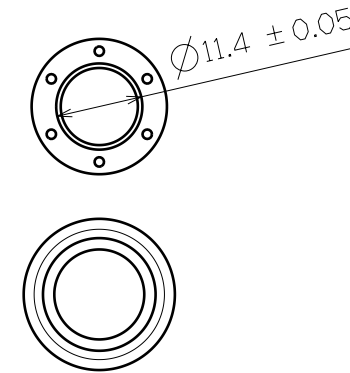
RIGHT SIDE VIEW



FRONT VIEW



LEFT SIDE VIEW



BACK VIEW



TOP VIEW

This drawing is our property. It can't be reproduced or communicated without our written agreement.



DRAWING TITLE

DRAWN BY	DATE
JIMMY CHEN	2012/09/20
CHECKED BY	DATE
DANIEL CHEN	2012/09/20
DESIGNED BY	DATE
RD	2012/09

EYELET WITH WASHER		REV
SIZE	DRAWING NUMBER	X
A3	SF706-3	
SCALE	1:1	MATERIAL
		PC SHEET
		1/1

4

4

3

3

2

2

1

1

H

G

B

A