

H

G

F

E

D

C

B

A

4

4

3

3

2

2

1

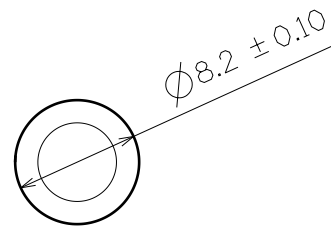
1

H

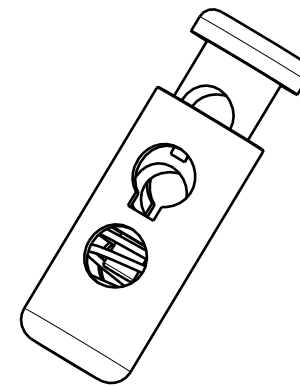
G

B

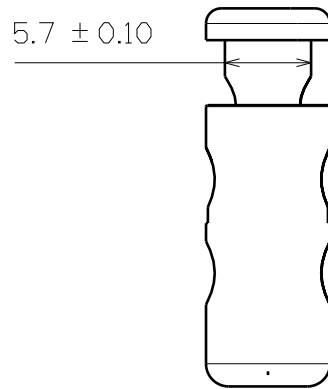
A



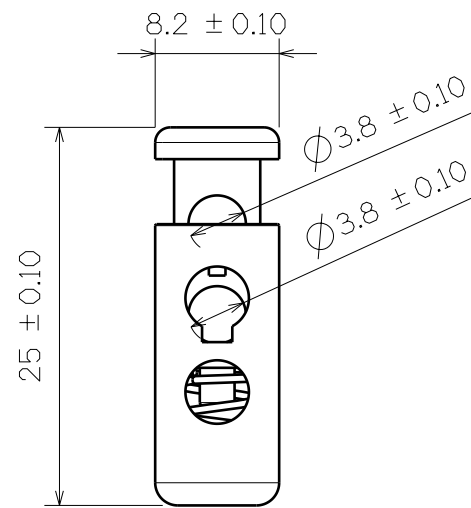
BOTTOM VIEW



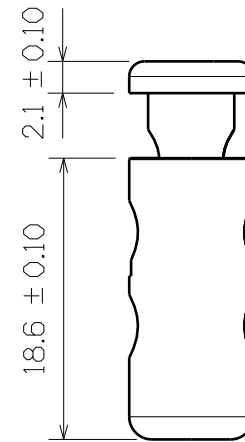
3D VIEW



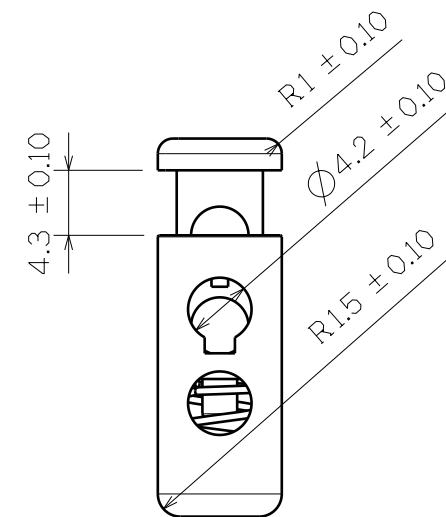
RIGHT SIDE VIEW



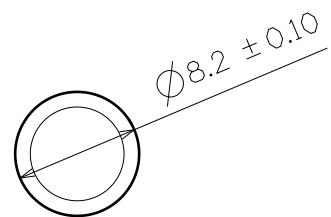
FRONT VIEW



LEFT SIDE VIEW



BACK VIEW



TOP VIEW

This drawing is our property. It can't be reproduced or communicated without our written agreement.		 欣芳塑膠工業有限公司 SHIN FANG PLASTIC INDUSTRIAL CO.,LTD.		
DRAWN BY JIMMY CHEN		DRAWING TITLE MINI BARREL CORD LOCK		
DATE 2013/10/05		SIZE A3		REV X
CHECKED BY DANIEL CHEN		DRAWING NUMBER SF689		
DATE 2013/10/05				
DESIGNED BY RD		SCALE 2:1		
DATE 2013/10		MATERIAL ABS SHEET 1/1		