

H G F E D C B A

4

3

2

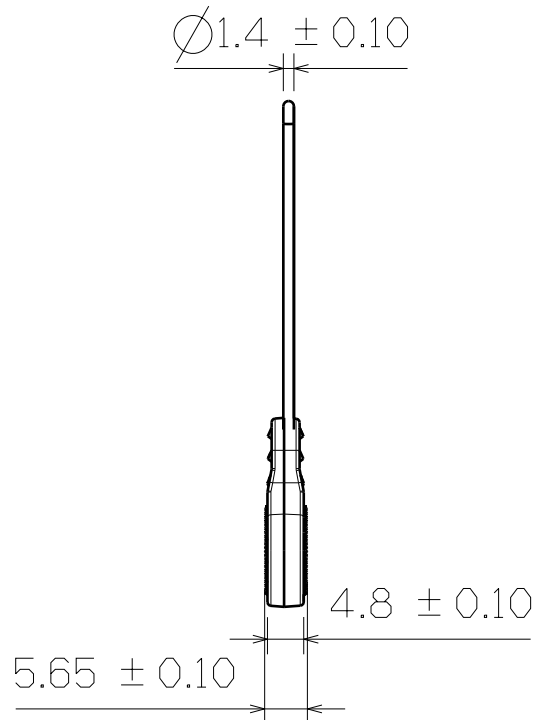
1

4

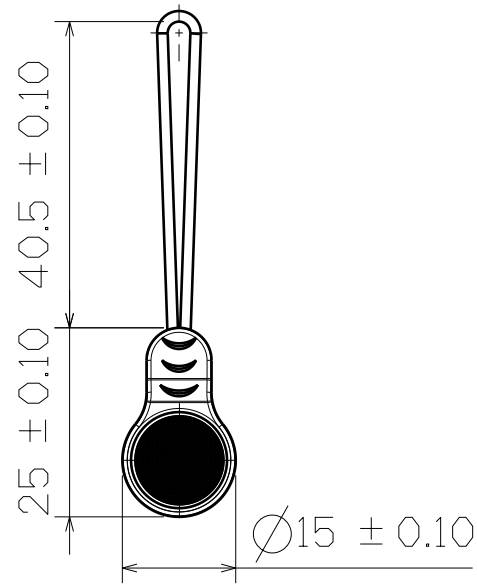
3

2

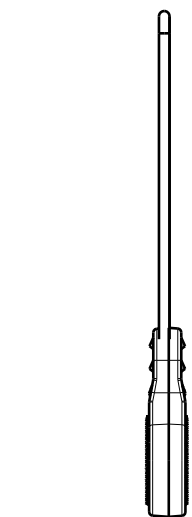
1



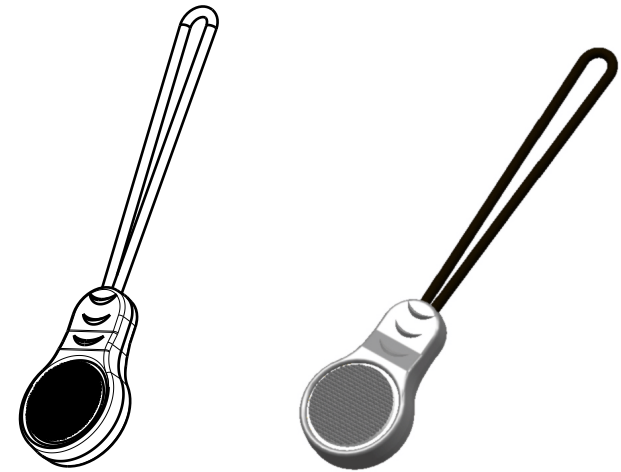
RIGHT VIEW



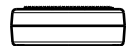
SF688



LEFT VIEW



3D VIEW



BOTTOM VIEW

This drawing is our property.
It can't be reproduced
or communicated without
our written agreement.



**SHIN FANG PLASTIC
INDUSTRIAL CO., LTD.**

DRAWN BY	DATE
DANIEL CHEN	2011/7/1
CHECKED BY	DATE
JIMMY CHEN	2011/7/1
DESIGNED BY	DATE
RD	2011/6

DRAWING TITLE			
CORD END			
SIZE	DRAWING NUMBER	REV	
A3	SF688	X	
SCALE	1:1	MATERIAL	PVC
SHEET		1/1	

H G F E D C B A