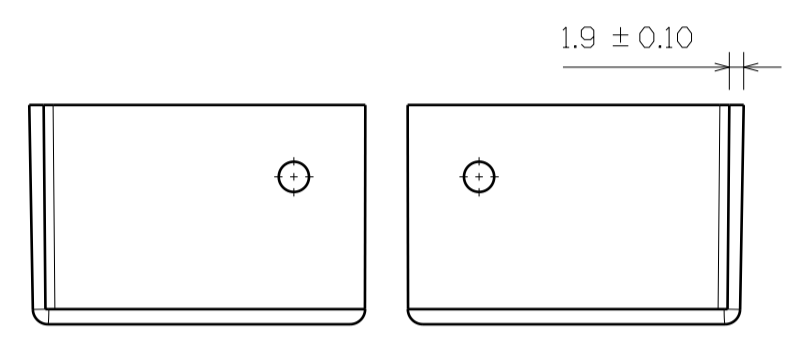
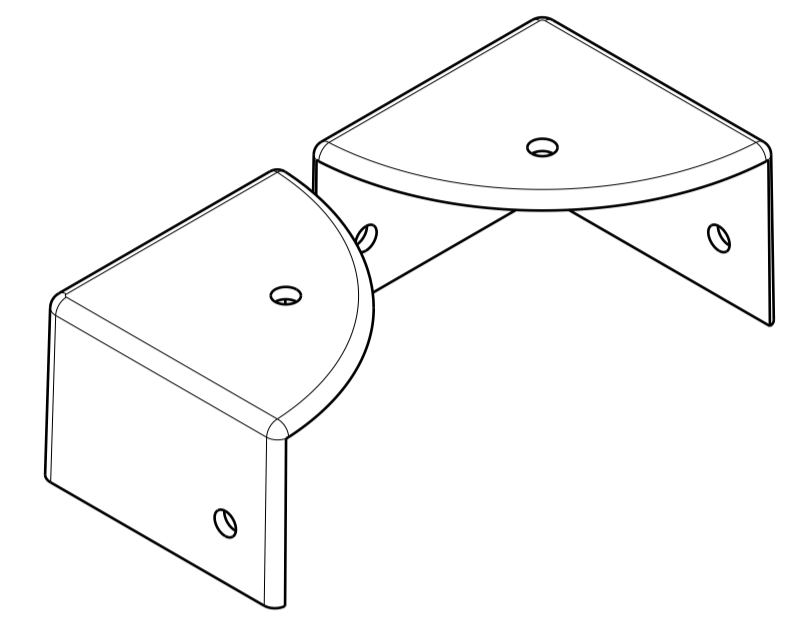


P O N M L K J I H G F E D C B A

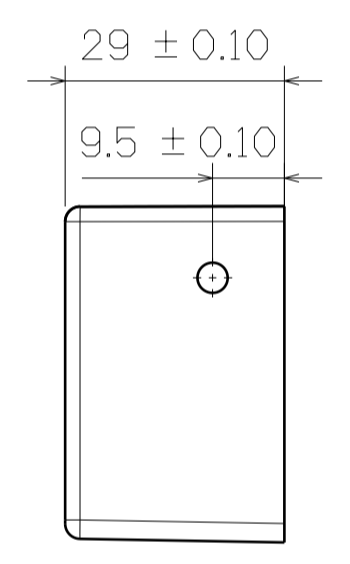
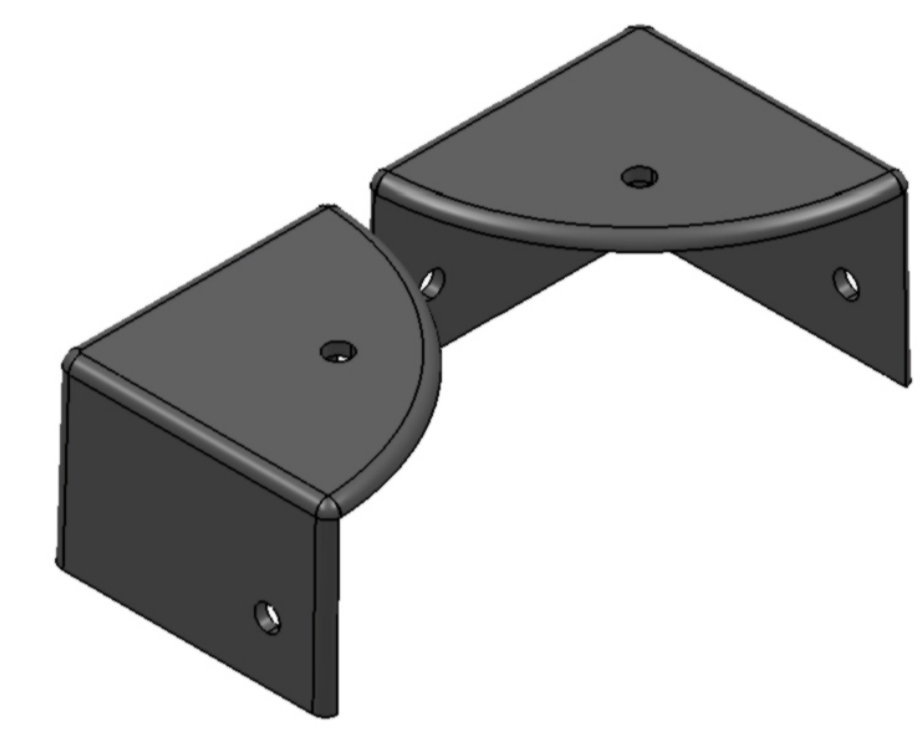
8 7 6 5 4 3 2 1



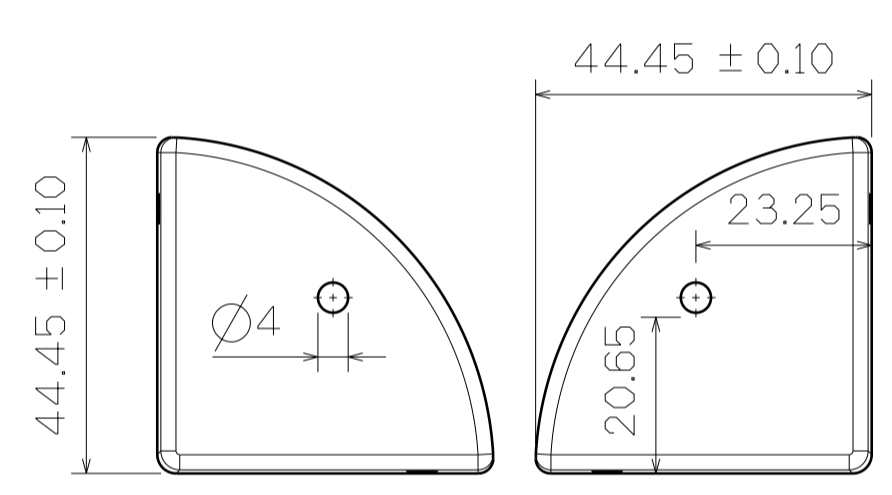
Top View



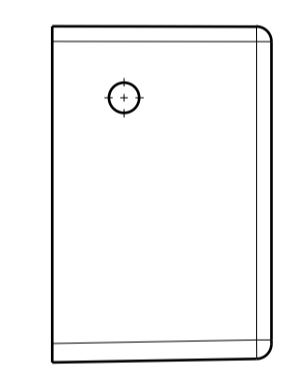
3D View



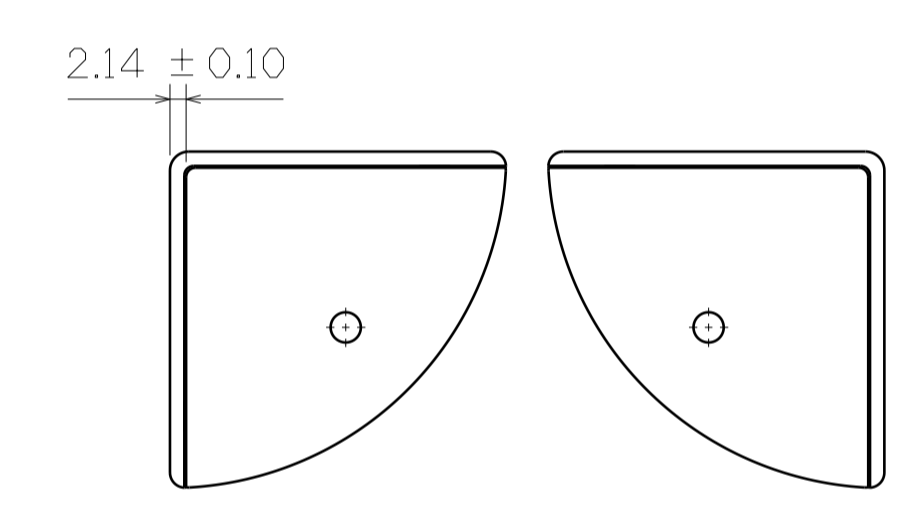
Right View



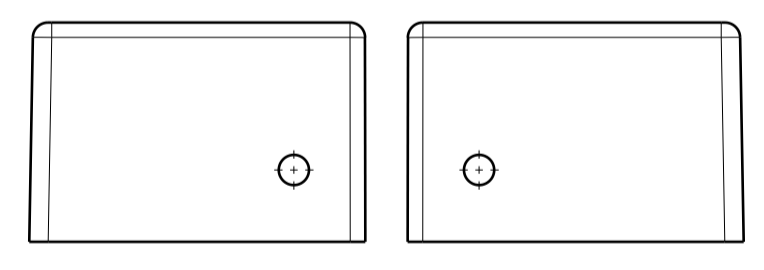
SF772



Left View



Back View



Bottom View

This drawing is our property. It can't be reproduced or communicated without our written agreement.					
DRAWN BY DANIEL CHEN		DATE 2009/8/15		DRAWING TITLE Protecting Corner	
CHECKED BY JIMMY CHEN		DATE 2009/8/15		SIZE A1	DRAWING NUMBER SF772
DESIGNED BY RD		DATE 2008/8		SCALE 1:1	MATERIAL PP
				SHEET 1/1	REV X

P O N M L K J I H G F E D C B A