

6

5

4

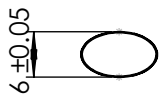
3

2

1

D

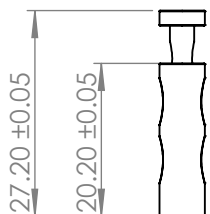
D



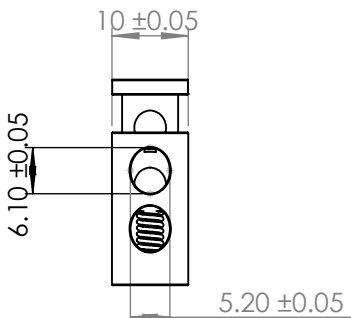
TOP VIEW



3D VIEW



LEFT SIDE VIEW



FRONT VIEW



RIGHT SIDE VIEW



BOTTOM VIEW

C

C

B

B

A

A

This drawing is our property.
It can't be reproduced
or communicated without
our written agreement.



欣芳塑膠工業有限公司
SHIN FANG PLASTIC INDUSTRIAL CO., LTD.

DRAWING TITLE

OVAL CYLINDER CORD LOCK

DRAWN BY
BRUCE WANG

DATE
2023/07/28

CHECKED BY
DANIEL CHEN

DATE
2023/07/28

DESIGNED BY
RD

DATE
2023/07/28

SIZE
A4

DRAWING NUMBER
SF679

REX
x

SCALE:1:1

MATERIAL:
POM

SHEET:

1 / 1

6

5

4

3

2

1